

XUK2LAKSMM12T

Photoelectric sensors XU, photo electric laser sensor, XUK, thru beam transmitter, Sn 30 m -10...30 VDC, M12



Main

Range of Product	Telemecanique Photoelectric sensors XU
Series name	Application assembly Application material handling
Electronic sensor type	Photo-electric sensor
Sensor name	XUK
Sensor design	Compact 50 x 50
Detection system	Thru beam
Material	Plastic
Type of output signal	Discrete
Supply circuit type	DC
Wiring Technique	4-wire
Electrical connection	1 male connector M12, 4 pins
Product Specific Application	-
Emission	Red laser thru beam class 1
[Sn] nominal sensing distance	82.02 ft (25 m) thru beam need receiver XUK2LAPSMM12R

Complementary

Enclosure Material	ABS/PC
Lens material	PMMA
Maximum sensing distance	98.43 ft (30 m) thru beam
Add on output	Without
Add on input	Test
Status LED	1 LED green)supply
[Us] rated supply voltage	12...24 V DC reverse polarity protection
Supply voltage limits	10...30 V DC
Maximum voltage drop	<2.4 V closed state)
Current consumption	<= 30 mA no-load
Depth	1.97 in (50 mm)
Height	1.97 in (50 mm)
Width	0.91 in (23 mm)
Net Weight	0.08 lb(US) (0.035 kg)

Environment

Product Certifications	Ecolab CE cULus
Ambient air temperature for operation	-4...140 °F (-20...60 °C) -4...122 °F (-20...50 °C), UL
Ambient Air Temperature for Storage	-4...176 °F (-20...80 °C)
Vibration resistance	7 gn +/- 1.5 mm 10...55 Hz) IEC 60068-2-6
Shock resistance	30 gn 11 ms) IEC 60947-5-2
IP degree of protection	IP67 IEC 60529 IP69K DIN 40050

Ordering and shipping details

Category	22481 - SENSORS, PHOTOELECTRIC
Discount Schedule	DS2
GTIN	03389119077545
Nbr. of units in pkg.	1
Package weight(Lbs)	1 lb(US) (0.45 kg)
Returnability	No
Country of origin	DE

Packing Units

Unit Type of Package 1	PCE
Package 1 Height	1.18 in (3 cm)
Package 1 width	2.36 in (6 cm)
Package 1 Length	3.54 in (9 cm)
Unit Type of Package 2	S01
Number of Units in Package 2	28
Package 2 Weight	3.52 lb(US) (1.597 kg)
Package 2 Height	5.91 in (15 cm)
Package 2 width	5.91 in (15 cm)
Package 2 Length	15.75 in (40 cm)

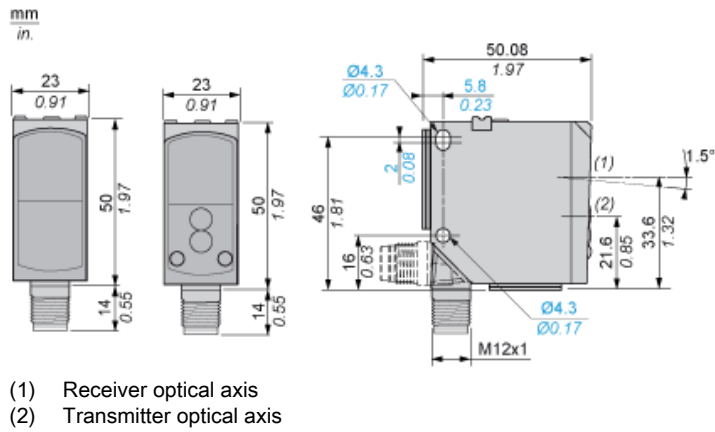
Offer Sustainability

California proposition 65	WARNING: This product can expose you to chemicals including: Diisononyl phthalate (DINP), which is known to the State of California to cause cancer, and Di-isodecyl phthalate (DIDP), which is known to the State of California to cause birth defects or other reproductive harm. For more information go to www.P65Warnings.ca.gov
REACH Regulation	REACH Declaration
EU RoHS Directive	Pro-active compliance (Product out of EU RoHS legal scope) EU RoHS Declaration
Mercury free	Yes
RoHS exemption information	Yes

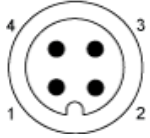
Contractual warranty

Warranty	18 months
----------	-----------

Dimensions



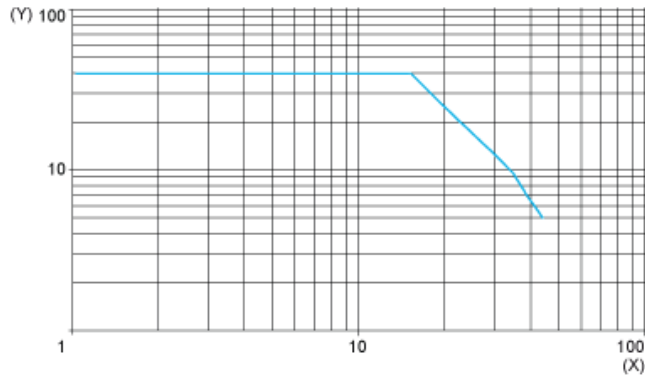
Wiring Schemes Using M12 Connector



- 1 : (+)
- 2 : Test input (1)
- 3 : (-)
- 4 : Pin not connected
- BN : Brown
- WH : White
- BU : Blue
- +UB : External teach
- UB : Pushbutton locking
- (1) Test input: +UB = test function (transmitter disconnected). -UB or not connected = normal operation

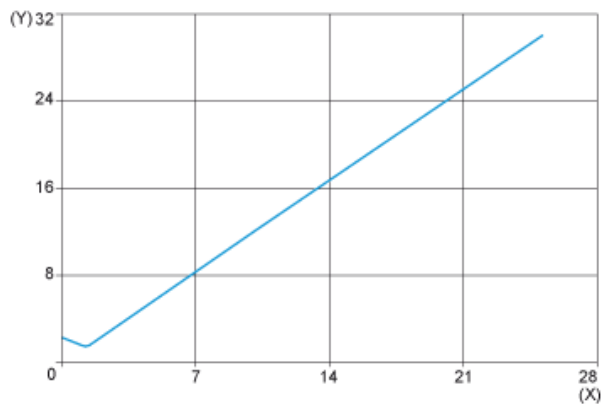
Curves

Excess Gain Curve



(X) Distance (m)
(Y) Gain

Size of Luminous Point



(X) Distance (m)
(Y) Size (mm)