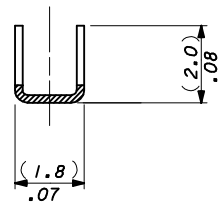
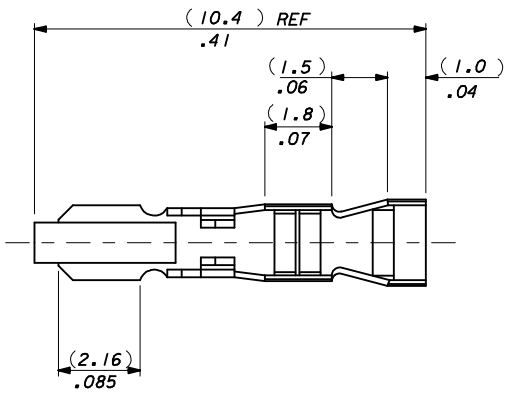


NOTES:

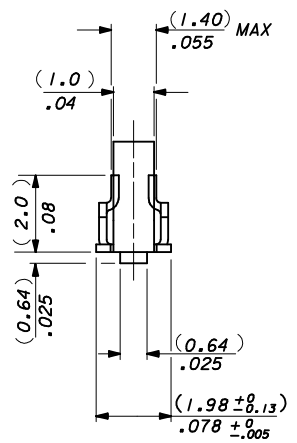
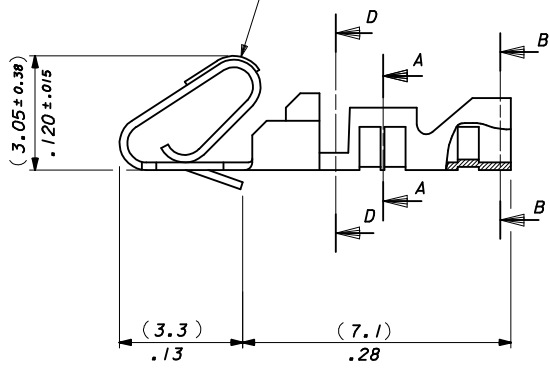
1. MATERIAL: (0.21)/.008 THICK BRASS.
2. FINISH: SEE SHEET 2.
3. THIS PART CONFORMS TO PRODUCT SPEC. 99020-0088.
4. TERMINAL MUST MEET BEND SPEC. SDES-219.
5. SUITABLE FOR 22-30 GA. WIRE, (1.57)/.062 MAX. INSULATION.
6. THIS PART CONFORMS TO CLASS B REQUIREMENTS OF COSMETIC SPECIFICATION PS-45499-002.



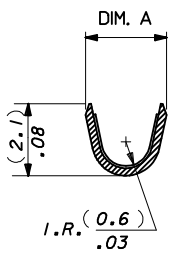
SECTION D-D  
(4809-1T ONLY)



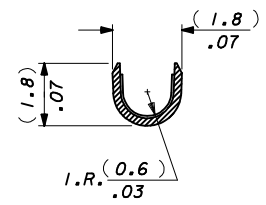
SELECTIVE PLATING AREA,  
SEE CHART



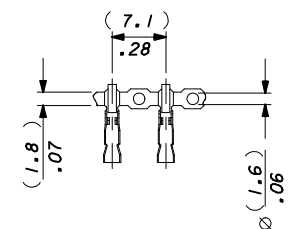
SECTION B-B



SECTION A-A



SECTION A-A



CARRIER STRIP DETAIL  
SCALE 2:1

4809-(\*)\*\* \*

- BLANK : DIM. A = (2.1) / 1.083 REF.
- M: DIM A = (2.2) / .087 REF.
- BLANK=CHAIN FORM TOP FEEDING REEL
- L=LOOSE FORM

PLATING CODE

SELECT GOLD AREA EC NO: UCP2013-5411 DRWN:KIPPER CHKD:JBELL APPR:FSMITH	2013/06/14 2013/06/17 2013/06/28	QUALITY SYMBOLS ∇=0 ∇=0 ∇=0	GENERAL TOLERANCES (UNLESS SPECIFIED) mm INCH 4 PLACES ± --- ± --- 3 PLACES ± --- ± .010 2 PLACES ± 0.25 ± .014 1 PLACE ± 0.35 ± --- 0 PLACE ± ±	DIMENSION STYLE MM/IN DRAWN BY DATE MCC 1986/07/30 CHECKED BY DATE DMORIARTY 2004/10/18 APPROVED BY DATE JDENNEY 2004/10/19	SCALE 10:1	DESIGN UNITS METRIC	THIRD ANGLE PROJECTION
	AN	DESCRIPTION	ANGULAR ± --- ° DRAFT WHERE APPLICABLE MUST REMAIN WITHIN DIMENSIONS	MATERIAL NO. SEE CHART	TITLE ANTI-FISH HOOKING TERMINAL KK.(2.50)/.100	DOCUMENT NO. SD-4809-*	SHEET NO. 1 OF 2
	THIS DRAWING CONTAINS INFORMATION THAT IS PROPRIETARY TO MOLEX INCORPORATED AND SHOULD NOT BE USED WITHOUT WRITTEN PERMISSION						
	molex						

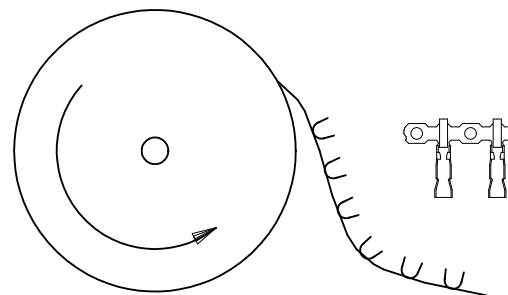
**FINISH NOTES\***

(550) GOLD PLATE (0.00038)/.000015 MIN. OVER (0.00076)/.000030 MIN. NICKEL

IN CONTACT AREA WITH (0.00005)/.000002 MIN. GOLD FLASH OVERALL.

(555) SELECTIVE GOLD (0.00038)/.000015 MIN. OVER (0.00076)/.000030 MIN. NICKEL IN CONTACT AREA ONLY.

(P918) HOT TIN DIP (0.00102-0.00305)/.000040-.000120



TERMINALS FEEDING FROM THE TOP OF THE REEL ARE STANDARD WOUND

08-55-0110	4809 - (555)	CHAIN	(555)	(2.45 - 1.75)/ .096 - .069
08-55-0111	↑ - (555)L	LOOSE		
08-56-0120	- (550)	CHAIN	(550)	(2.45 - 1.75)/ .096 - .069
08-56-0115	↓ - (550)L	LOOSE		
08-50-0135	↓ -(P918)	CHAIN	(P918)	(2.45 - 1.75)/ .096 - .069
08-50-0136	4809 - (P918) L	LOOSE		
PART No	ENG No	FORM	FINISH	DIM . A
TOP FEEDING REELS ONLY				

CORRECT PLATING EC NO: UCP2011-2131 DRWNCSTEWART 2011/01/18 CHKD:HKIPPER 2011/01/26 APPR:FSMLTH 2011/02/04	QUALITY SYMBOLS	GENERAL TOLERANCES (UNLESS SPECIFIED)		DIMENSION STYLE	SCALE	DESIGN UNITS	THIRD ANGLE PROJECTION
	▽=0	mm	INCH	MM/IN	NTS	METRIC	
	▽=0	4 PLACES ± --- ± ---		DRAWN BY	DATE	TITLE	
	▽=0	3 PLACES ± --- ± .010		MCC	1986/07/30	ANTI-FISH HOOKING TERMINAL KK,(2.50)/.100	
	2 PLACES ± 0.25 ± .014		CHECKED BY	DATE	MOLEX INCORPORATED		
	1 PLACE ± 0.35 ± ---		DMORIART	2004/10/18			
	ANGULAR ± ---°		APPROVED BY	DATE	DOCUMENT NO.		SHEET NO.
			JDENNEHY	2004/10/19	SD-4809-*		2 OF 2
			MATERIAL NO.		THIS DRAWING CONTAINS INFORMATION THAT IS PROPRIETARY TO MOLEX INCORPORATED AND SHOULD NOT BE USED WITHOUT WRITTEN PERMISSION		
			SEE CHART				
			DRAFT WHERE APPLICABLE MUST REMAIN WITHIN DIMENSIONS				