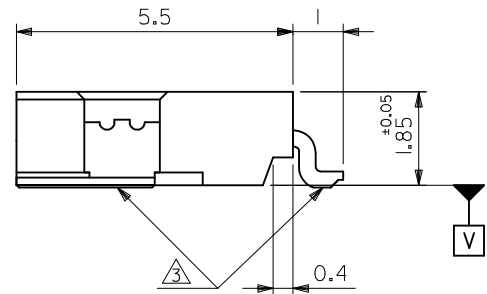
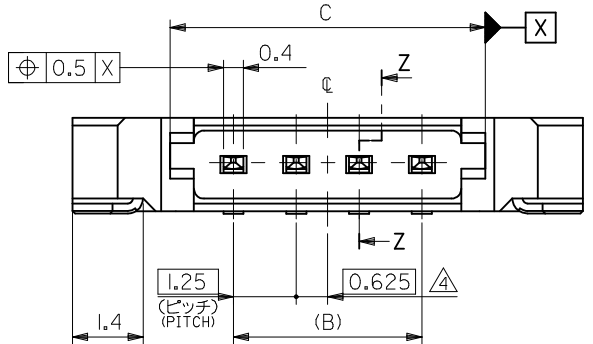
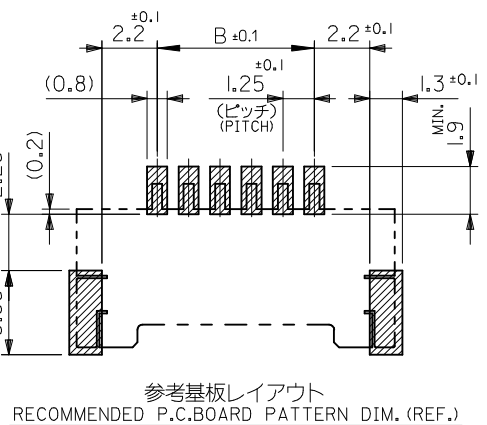
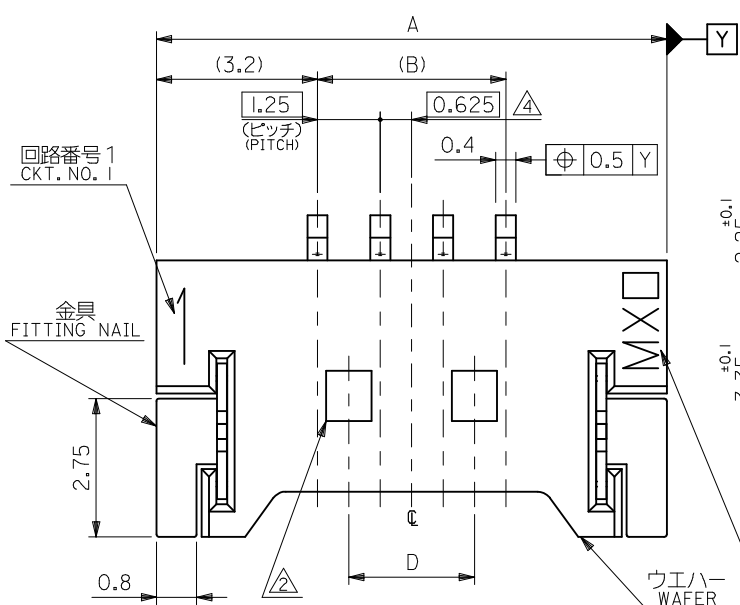


注記 NOTES

1. 嵌合相手 : 51146 シリーズ  
 MATES WITH : 51146 SERIES
2. ロック窓は2、3極品は1箇所、4極品以上は2箇所とする。  
 LOCKING WINDOW : ONE PLACE FOR 2 AND 3 CIRCUIT PRODUCTS AND TWO PLACES FOR MORE THAN 3 CIRCUIT PRODUCTS.
3. 基準面 [V] からのソルダータールと金具の半田付け面のズレ量は、上方向きに 0.05MAX. 下方向きに 0.15MAX. とし、20 極以下の相互のバラツキ量は 0.IMAX. とする。  
 MISALIGNMENT OF SOLDER TAIL AND FITTING NAIL FROM [V]  
 : UPPER DIRECTION 0.05MAX.  
 : LOWER DIRECTION 0.15MAX.  
 : OFFSET BETWEEN UPPER AND LOWER 0.IMAX. (UNDER 20 CKTS.)
4. 偶数極の製品に適用。  
 APPLY EVEN CIRCUIT PRODUCTS.
5. 材質 MATERIAL  
 ウエハー WAFER : PPS, UL94V-0  
 ピン:リン青銅 PIN:PHOSPHOR BRONZE  
 コンタクト部:金メッキ 0.2 マイクロメートル以上  
 CONTACT AREA:GOLD 0.2 MICROMETER MINIMUM  
 テール部:錫メッキ 3.0 マイクロメートル以上  
 TAIL AREA:TIN 3.0 MICROMETER MINIMUM  
 下地メッキ:ニッケルメッキ 1.0 マイクロメートル以上  
 UNDER PLATING:NICKEL 1.0 MICROMETER MINIMUM  
 金具:リン青銅 FITTING NAIL:PHOSPHOR BRONZE  
 錫メッキ 3.0 マイクロメートル以上  
 TIN 3.0 MICROMETER MINIMUM  
 下地メッキ:ニッケルメッキ 1.0 マイクロメートル以上  
 UNDER PLATING:NICKEL 1.0 MICROMETER MINIMUM
6. 本製品は 53780-\*\*-\*\*10/-\*\*-\*\*1.8 の鉛フリー品である。  
 THIS PRODUCT IS LEAD FREE OF 53780-\*\*-\*\*10/-\*\*-\*\*1.8.
7. ELV及びRoHS適合品  
 ELV & RoHS COMPLIANT.

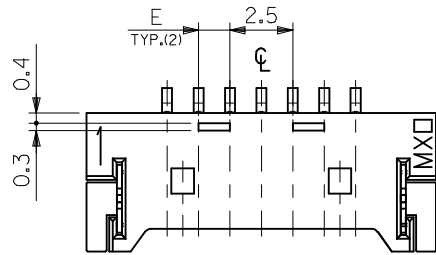


8.75	22.5	26.27	23.75	30.15	53780-2070	20
7.5	20	23.77	21.25	27.65	-1870	18
6.25	16.25	20.02	17.5	23.9	-1570	15
5	15	18.77	16.25	22.65	-1470	14
3.75	12.5	16.27	13.75	20.15	-1270	12
2.5	10	13.77	11.25	17.65	-1070	10
2.5	8.75	12.52	10	16.4	-0970	9
1.25	7.5	11.27	8.75	15.15	-0870	8
1.25	6.25	10.02	7.5	13.9	-0770	7
--	5	8.77	6.25	12.65	-0670	6
--	3.75	7.52	5	11.4	-0570	5
--	2.5	6.27	3.75	10.15	-0470	4
--	--	5.02	2.5	8.9	-0370	3
--	--	3.77	1.25	7.65	53780-0270	2

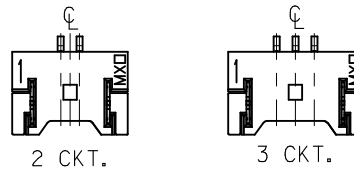
CONNECTOR SERIES NO. 53780-\*\*-\*\*19

EMBOSSED PACKAGE CKT. 極数  
 オダー番号 ORDER No.

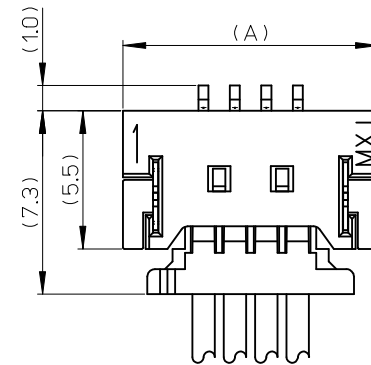
REVISED EC NO: J2018-0015 DRWN:KNO2 CHKD: APPR:GGA	DESCRIPTION 2017/07/16 2017/07/19	GENERAL TOLERANCES (UNLESS SPECIFIED)		DIMENSION STYLE		SCALE	DESIGN UNITS	THIRD ANGLE PROJECTION
				MM ONLY		---	METRIC	
		0.25 UNDER	±0.03	DRAWN BY	DATE	TITLE		
		0.25 OVER	±0.05	T. UENO	'04/04/15	1.25 W/B CONN WAFER ASSY FOR SMT		
		0.5 OVER	±0.1	CHECKED BY	DATE			
1.0 OVER	±0.2	M. SASAO	'04/04/15	molex				
10 OVER	±0.25	APPROVED BY	DATE					
30 OVER	±0.3	M. SASAO	'04/04/15	SD-53780-003				
ANGULAR	±3 °	MATERIAL NO.	DOCUMENT NO.			SHEET NO.		
DRAFT WHERE APPLICABLE MUST REMAIN WITHIN DIMENSIONS				SIZE	THIS DRAWING CONTAINS INFORMATION THAT IS PROPRIETARY TO MOLEX ELECTRONIC TECHNOLOGIES, LLC AND SHOULD NOT BE USED WITHOUT WRITTEN PERMISSION			
				A3				



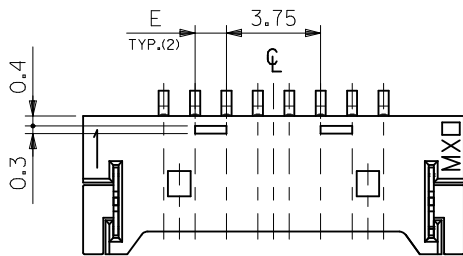
7~19極の奇数極に適用  
 APPLY FOR ODD CIRCUITS OF 7~19



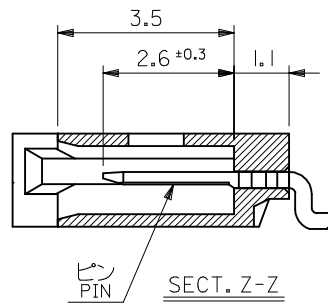
ロック形状図  
 LOCK CONFIGURATION



嵌合図 (SCALE 5:1)  
 MATED CONNECTORS (SCALE 5:1)



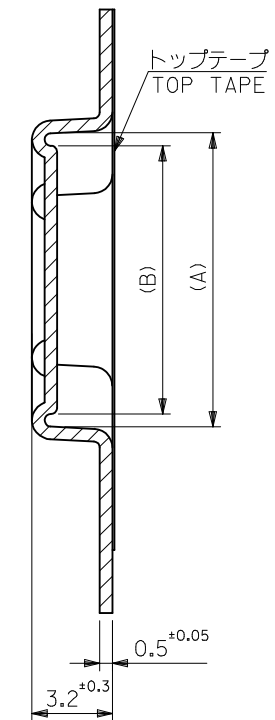
8~30 極の偶数極に適用  
 APPLY FOR EVEN CIRCUITS OF 8~30



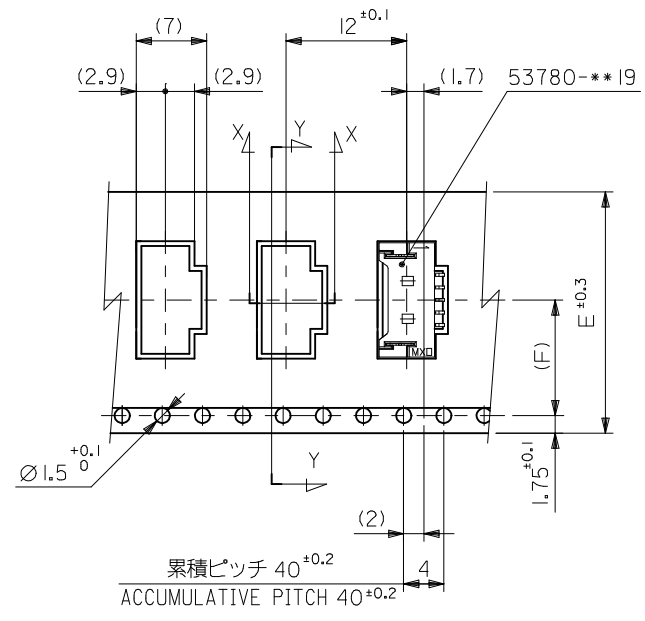
SECT. Z-Z

CONNECTOR SERIES NO. 53780-\*\*19

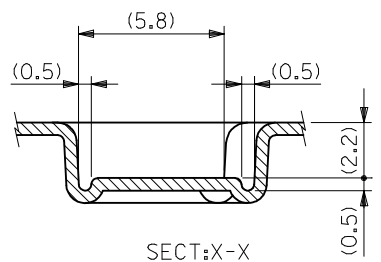
REVISED EC NO: J2018-0015 DRW: MKN02 CHKD: APPR: GGA	2017/07/06 2017/07/19	GENERAL TOLERANCES (UNLESS SPECIFIED)		DIMENSION STYLE MM ONLY		SCALE ---	DESIGN UNITS METRIC	THIRD ANGLE PROJECTION	
		0.25 UNDER	±0.03	DRAWN BY T. UENO	DATE '04/04/15	TITLE 1.25 W/B CONN WAFER ASSY FOR SMT			
		0.25 OVER	±0.05	CHECKED BY M. SASAO	DATE '04/04/15				
		0.5 OVER	±0.1	APPROVED BY M. SASAO	DATE '04/04/15	<b>molex</b> DOCUMENT NO. SD-53780-003 SHEET NO. 2 OF 2			
		1.0 OVER	±0.2	MATERIAL NO. SEE CHART					
		10 OVER	±0.25	DRAFT WHERE APPLICABLE MUST REMAIN WITHIN DIMENSIONS					
30 OVER	±0.3	ANGULAR ±3 °		SIZE A3		THIS DRAWING CONTAINS INFORMATION THAT IS PROPRIETARY TO MOLEX ELECTRONIC TECHNOLOGIES, LLC AND SHOULD NOT BE USED WITHOUT WRITTEN PERMISSION			



SECT:Y-Y  
(SCALE 5:1)



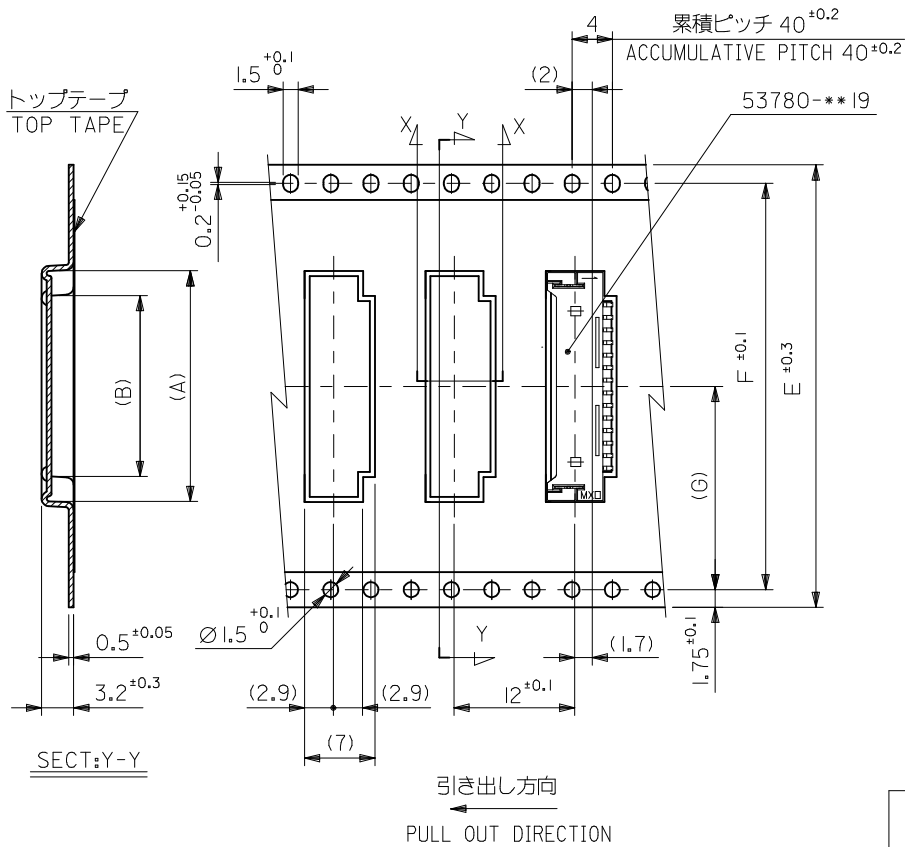
引き出し方向  
PULL OUT DIRECTION



SECT:X-X  
(SCALE 5:1)

11.5	24	29.4	25.4	11.75	16.7	53780-0970	9
				10.5	15.45	53780-0870	8
				9.25	14.2	53780-0770	7
				8	12.95	53780-0670	6
				6.75	11.7	53780-0570	5
7.5	16	21.4	17.4	5.5	10.45	53780-0470	4
				4.25	9.2	53780-0370	3
				3	7.95	53780-0270	2
(F)	E	D	C	(B)	(A)	MATERIAL NO.	種数 CKT.
						MODEL NO.	53780-**-70

REVISED EC NO: J2018-0015 DRAWN: KNO2 CHKD: APPR: GGA	DESCRIPTION 2017/07/06 2017/07/19	GENERAL TOLERANCES (UNLESS SPECIFIED)		DIMENSION STYLE MM ONLY		SCALE ---	DESIGN UNITS METRIC	THIRD ANGLE PROJECTION	
		0.25 UNDER	±0.03	DRAWN BY	DATE	TITLE			
		0.25 OVER	±0.05	T. UENO	'04/04/15	1.25 W/B WAFER ASSY EMBOSSED TAPE PACKAGE			
		0.5 OVER	±0.1	CHECKED BY	DATE	molex			
		1.0 OVER	±0.2	M. SASAO	'04/04/15				
10 OVER	±0.25	APPROVED BY	DATE	DOCUMENT NO.	SD-53780-004		SHEET NO. 2 OF 3		
30 OVER	±0.3	M. SASAO	'04/04/15	MATERIAL NO.		SEE CHART			
ANGULAR ±3 °		DRAFT WHERE APPLICABLE MUST REMAIN WITHIN DIMENSIONS		SIZE A3	THIS DRAWING CONTAINS INFORMATION THAT IS PROPRIETARY TO MOLEX ELECTRONIC TECHNOLOGIES, LLC AND SHOULD NOT BE USED WITHOUT WRITTEN PERMISSION				



20.2	40.4	44	49.4	45.4	25.5	30.45	53780-2070	20
					25.5	27.95	53780-1870	18
					19.25	24.2	53780-1570	15
					18	22.95	53780-1470	14
					15.5	20.45	53780-1270	12
14.2	28.4	32	37.4	33.4	13	17.95	53780-1070	10
(G)	F	E キャリアテープ幅 CARRIER TAPE WIDTH	D	C	(B)	(A)	MATERIAL NO.	種数 CKT.

REVISED EC NO: J2018-0015 DRW: NKN02 CHKD: APPR: GGA 2017/07/06 2017/07/19	GENERAL TOLERANCES (UNLESS SPECIFIED)		DIMENSION STYLE MM ONLY		SCALE ---	MODEL NO. 53780-***70
	0.25 UNDER	$\pm 0.03$	DRAWN BY T. UENO	DATE '04/04/15	TITLE 1.25 W/B WAFER ASSY EMBOSSED TAPE PACKAGE	
	0.25 OVER	$\pm 0.05$	CHECKED BY M. SASAO	DATE '04/04/15		
	0.5 OVER	$\pm 0.1$	APPROVED BY M. SASAO	DATE '04/04/15		
1.0 OVER	$\pm 0.2$	MATERIAL NO.	DOCUMENT NO.	SEE CHART	SD-53780-004	SHEET NO. 3 OF 3
10 OVER	$\pm 0.25$	DRAFT WHERE APPLICABLE MUST REMAIN WITHIN DIMENSIONS		SIZE A3	THIS DRAWING CONTAINS INFORMATION THAT IS PROPRIETARY TO MOLEX ELECTRONIC TECHNOLOGIES, LLC AND SHOULD NOT BE USED WITHOUT WRITTEN PERMISSION	
30 OVER	$\pm 0.3$	ANGULAR $\pm 3^\circ$				