

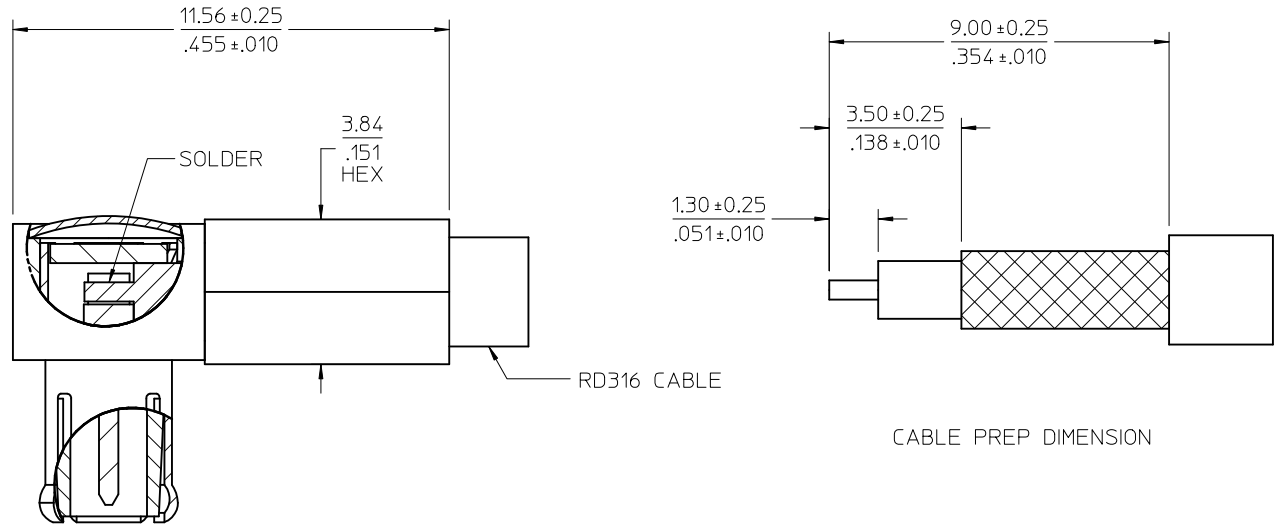
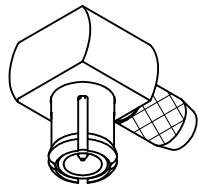
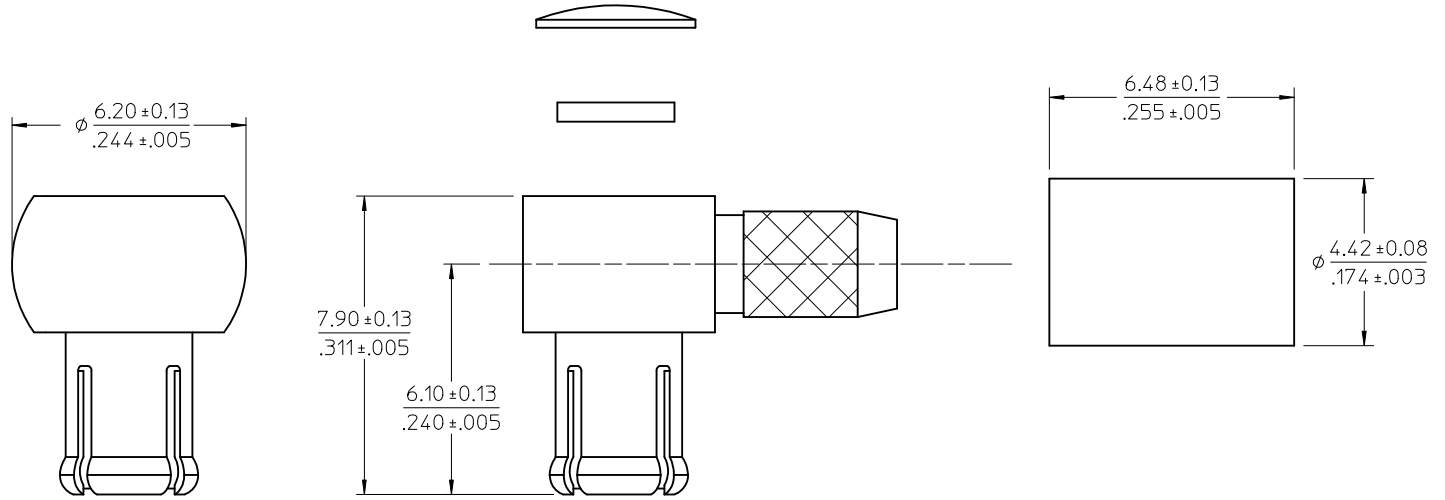
MATERIALS AND FINISHES

BODY, CRIMP TUBE, CAP: BRASS
PLATED: SEE TABLE

OUTER CONTACT: COPPER ALLOY
PLATED: SEE TABLE

CONTACT: BRASS
GOLD PLATED

INSULATORS: TEFLON



NOTE: CRIMP TUBE NOT INCLUDED FOR 73415-2231

73415-2235	NICKEL	GOLD (30u")	NICKEL
73415-2234	GOLD	GOLD (10u")	NICKEL
73415-2233	GOLD	GOLD (10u")	GOLD
73415-2232	NICKEL	NICKEL	NICKEL
73415-2231	NICKEL	NICKEL	N/A
73415-2230	NICKEL	NICKEL	NICKEL
PART NO.	PLATING	PLATING	PLATING
	BODY & CAP	OUTER CONT.	CRIMP TUBE

CHG: UPDATED STRIPS FOR IPC COMPLIANCE. EC NO: URF2012-0703 DRWN: ROBERTSON 2012/05/23 CHKD: SSS 2012/05/23 APPR: WIENER 2012/05/24 REV: A7	QUALITY SYMBOLS ▼=0 ▽=0	GENERAL TOLERANCES (UNLESS SPECIFIED) <table border="1"> <tr> <th></th> <th>mm</th> <th>INCH</th> </tr> <tr> <td>4 PLACES</td> <td>± .005</td> <td>± .0005</td> </tr> <tr> <td>3 PLACES</td> <td>± .005</td> <td>± .0005</td> </tr> <tr> <td>2 PLACES</td> <td>± .005</td> <td>± .0005</td> </tr> <tr> <td>1 PLACE</td> <td>± .005</td> <td>± .0005</td> </tr> </table> ANGULAR ± 2°		mm	INCH	4 PLACES	± .005	± .0005	3 PLACES	± .005	± .0005	2 PLACES	± .005	± .0005	1 PLACE	± .005	± .0005	DIMENSION STYLE MM/IN	SCALE DESIGN UNITS METRIC	THIRD ANGLE PROJECTION
		mm	INCH																	
	4 PLACES	± .005	± .0005																	
	3 PLACES	± .005	± .0005																	
2 PLACES	± .005	± .0005																		
1 PLACE	± .005	± .0005																		
		DRAWN BY GMH	DATE 2000/06/09	TITLE MCX PLUG RA RD316 CABLE 50 OHM EWR-3900, MCX-PC/RA																
		CHECKED BY SSS	DATE 2000/06/09	MOLEX INCORPORATED																
		APPROVED BY XXX	DATE 0000/00/00	MATERIAL NO. SEE TABLE	DOCUMENT NO. SD-73415-223															
		DRAFT WHERE APPLICABLE MUST REMAIN WITHIN DIMENSIONS		SIZE C	SHEET NO. 1 OF 1															
THIS DRAWING CONTAINS INFORMATION THAT IS PROPRIETARY TO MOLEX INCORPORATED AND SHOULD NOT BE USED WITHOUT WRITTEN PERMISSION																				

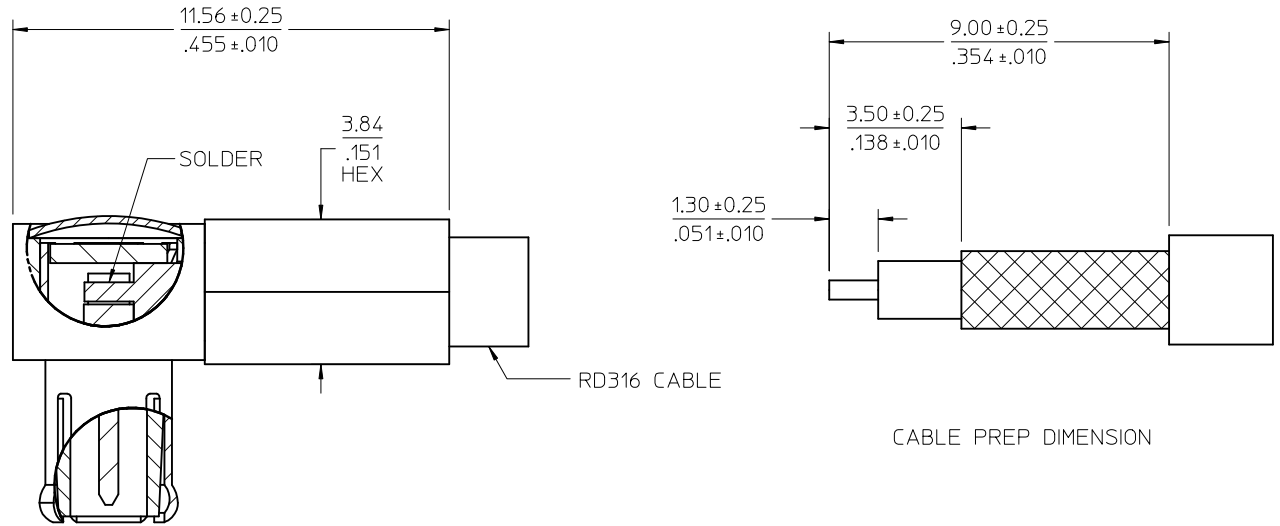
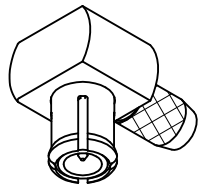
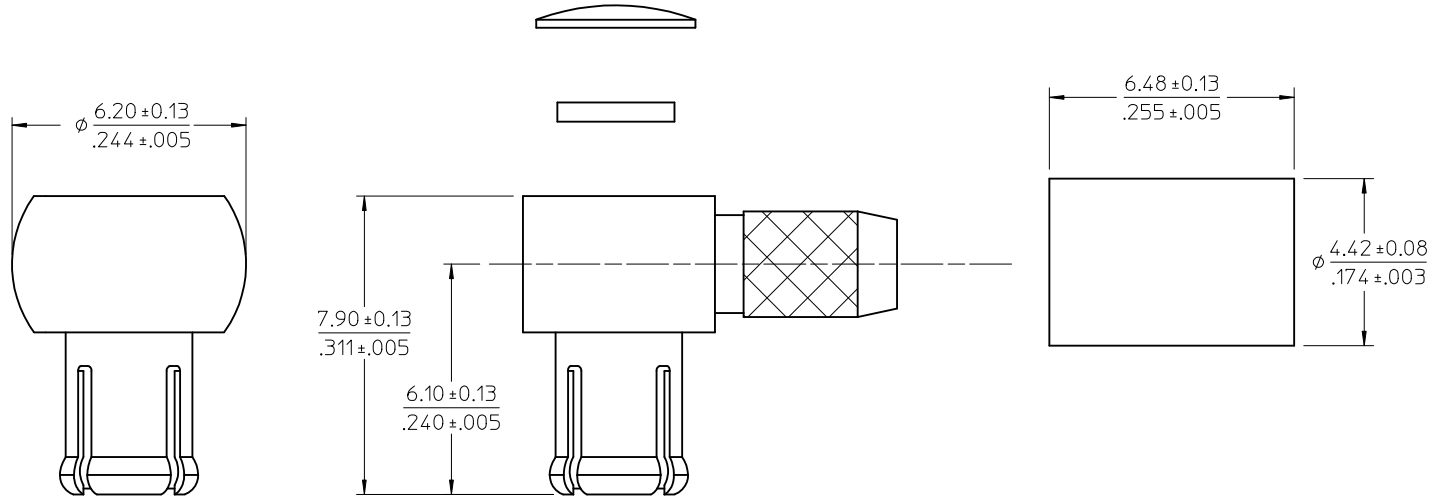
MATERIALS AND FINISHES

BODY, CRIMP TUBE, CAP: BRASS
PLATED: SEE TABLE

OUTER CONTACT: COPPER ALLOY
PLATED: SEE TABLE

CONTACT: BRASS
GOLD PLATED

INSULATORS: TEFLON



NOTE: CRIMP TUBE NOT INCLUDED FOR 73415-2231

73415-2235	NICKEL	GOLD (30u")	NICKEL
73415-2234	GOLD	GOLD (10u")	NICKEL
73415-2233	GOLD	GOLD (10u")	GOLD
73415-2232	NICKEL	NICKEL	NICKEL
73415-2231	NICKEL	NICKEL	N/A
73415-2230	NICKEL	NICKEL	NICKEL
PART NO.	PLATING	PLATING	PLATING
	BODY & CAP	OUTER CONT.	CRIMP TUBE

CHG: UPDATED STRIPS FOR IPC COMPLIANCE. EC NO: URF2012-0703 DRWN: ROBERTSON 2012/05/23 CHKD: SSS 2012/05/23 APPR: WIENER 2012/05/24 REV: A7	QUALITY SYMBOLS ▼=0 ▽=0	GENERAL TOLERANCES (UNLESS SPECIFIED) <table border="1"> <tr> <th></th> <th>mm</th> <th>INCH</th> </tr> <tr> <td>4 PLACES</td> <td>± .005</td> <td>± .0002</td> </tr> <tr> <td>3 PLACES</td> <td>± .005</td> <td>± .0002</td> </tr> <tr> <td>2 PLACES</td> <td>± .005</td> <td>± .0002</td> </tr> <tr> <td>1 PLACE</td> <td>± .005</td> <td>± .0002</td> </tr> </table> ANGULAR ± 2°		mm	INCH	4 PLACES	± .005	± .0002	3 PLACES	± .005	± .0002	2 PLACES	± .005	± .0002	1 PLACE	± .005	± .0002	DIMENSION STYLE MM/IN	SCALE DESIGN UNITS METRIC	THIRD ANGLE PROJECTION
		mm	INCH																	
	4 PLACES	± .005	± .0002																	
	3 PLACES	± .005	± .0002																	
2 PLACES	± .005	± .0002																		
1 PLACE	± .005	± .0002																		
DRAWN BY: GMH CHECKED BY: SSS APPROVED BY: XXX		DATE: 2000/06/09 DATE: 2000/06/09 DATE: 0000/00/00		TITLE MCX PLUG RA RD316 CABLE 50 OHM EWR-3900, MCX-PC/RA																
DRAFT WHERE APPLICABLE MUST REMAIN WITHIN DIMENSIONS		MATERIAL NO. SEE TABLE		DOCUMENT NO. SD-73415-223																
THIS DRAWING CONTAINS INFORMATION THAT IS PROPRIETARY TO MOLEX INCORPORATED AND SHOULD NOT BE USED WITHOUT WRITTEN PERMISSION																				