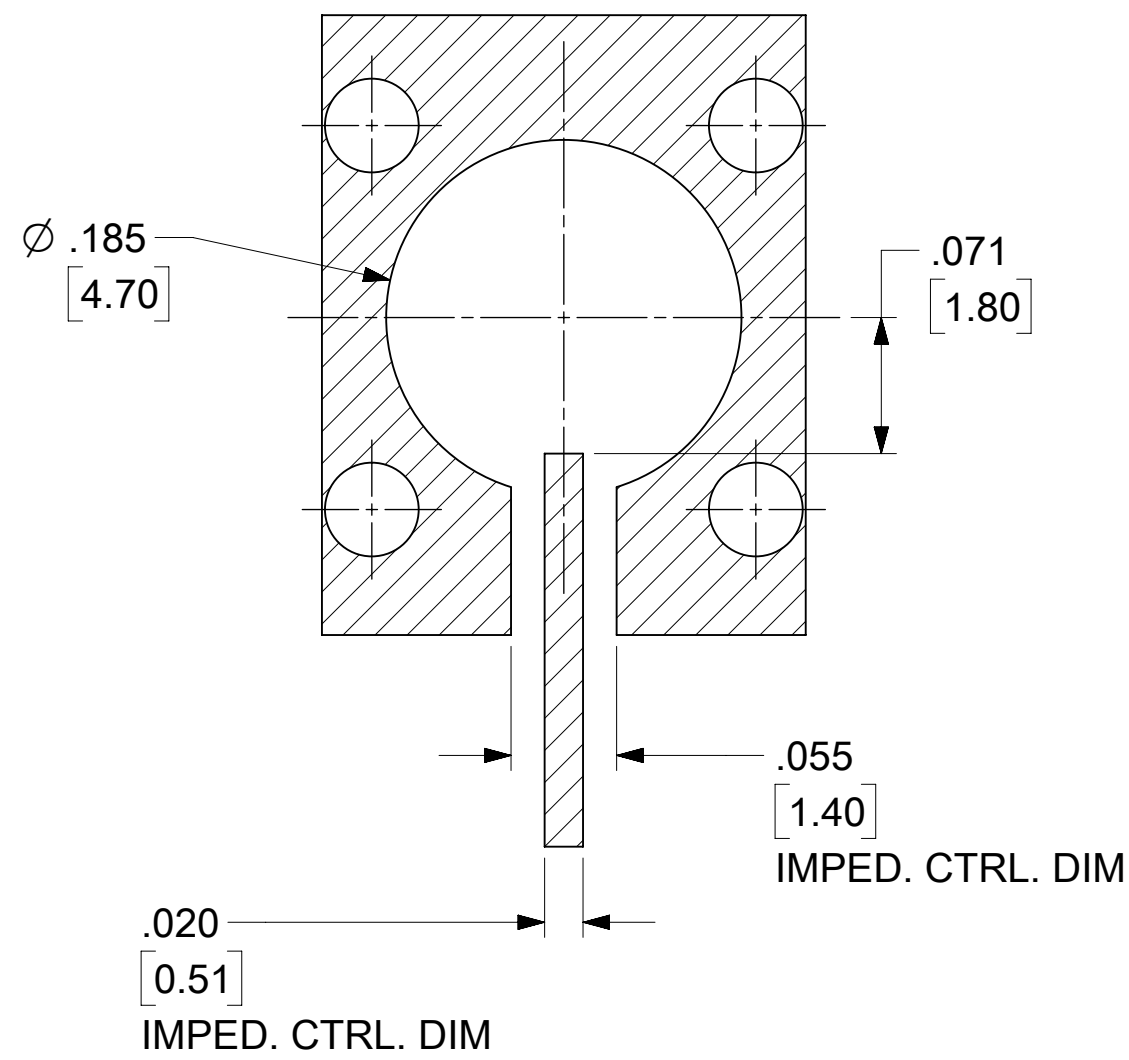


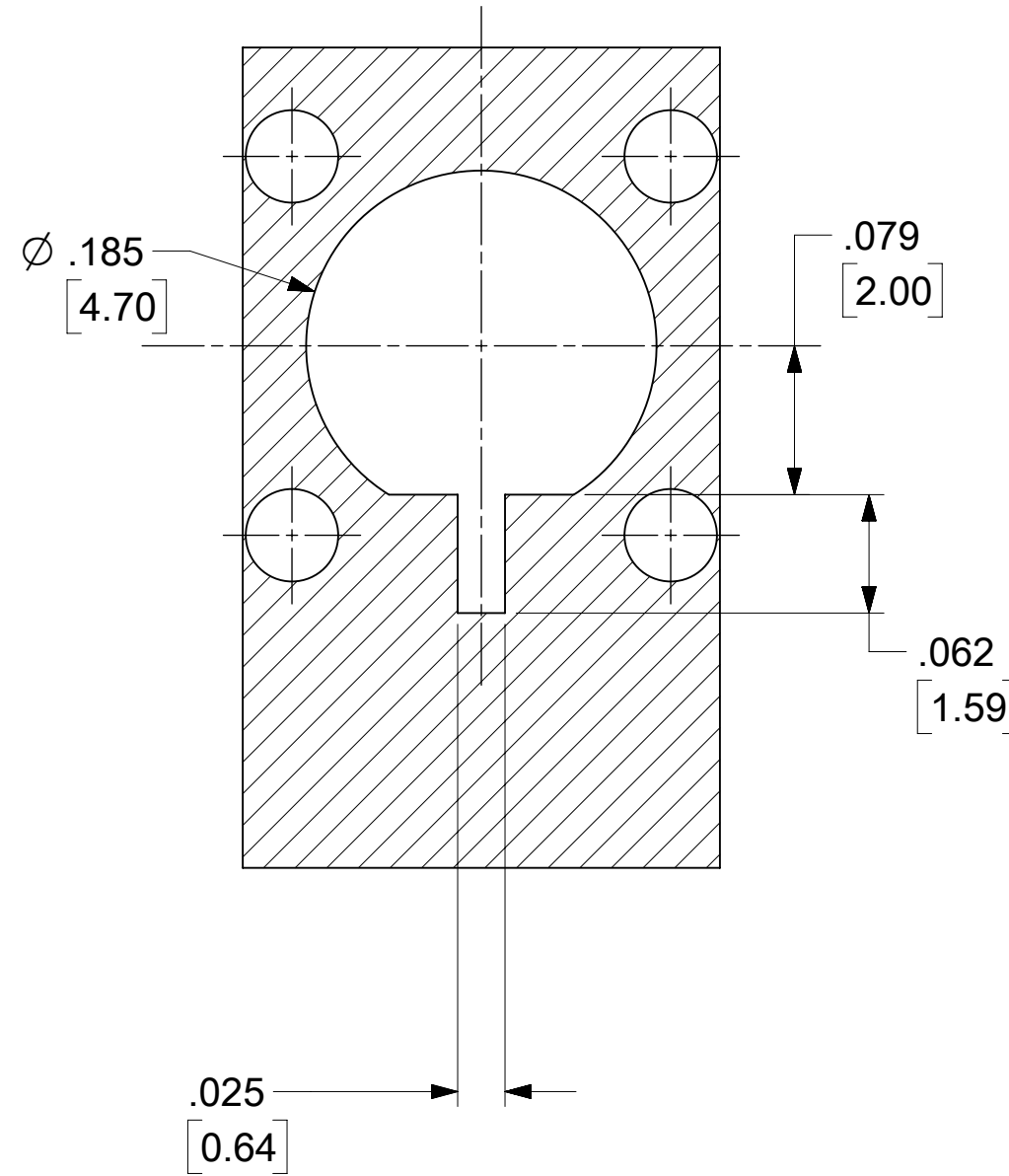
PCB CONNECTOR LAUNCH / PAD (FOR REFERENCE ONLY)

ALL HATCHED SURFACES SHOWN BELOW ARE COPPER (Cu)

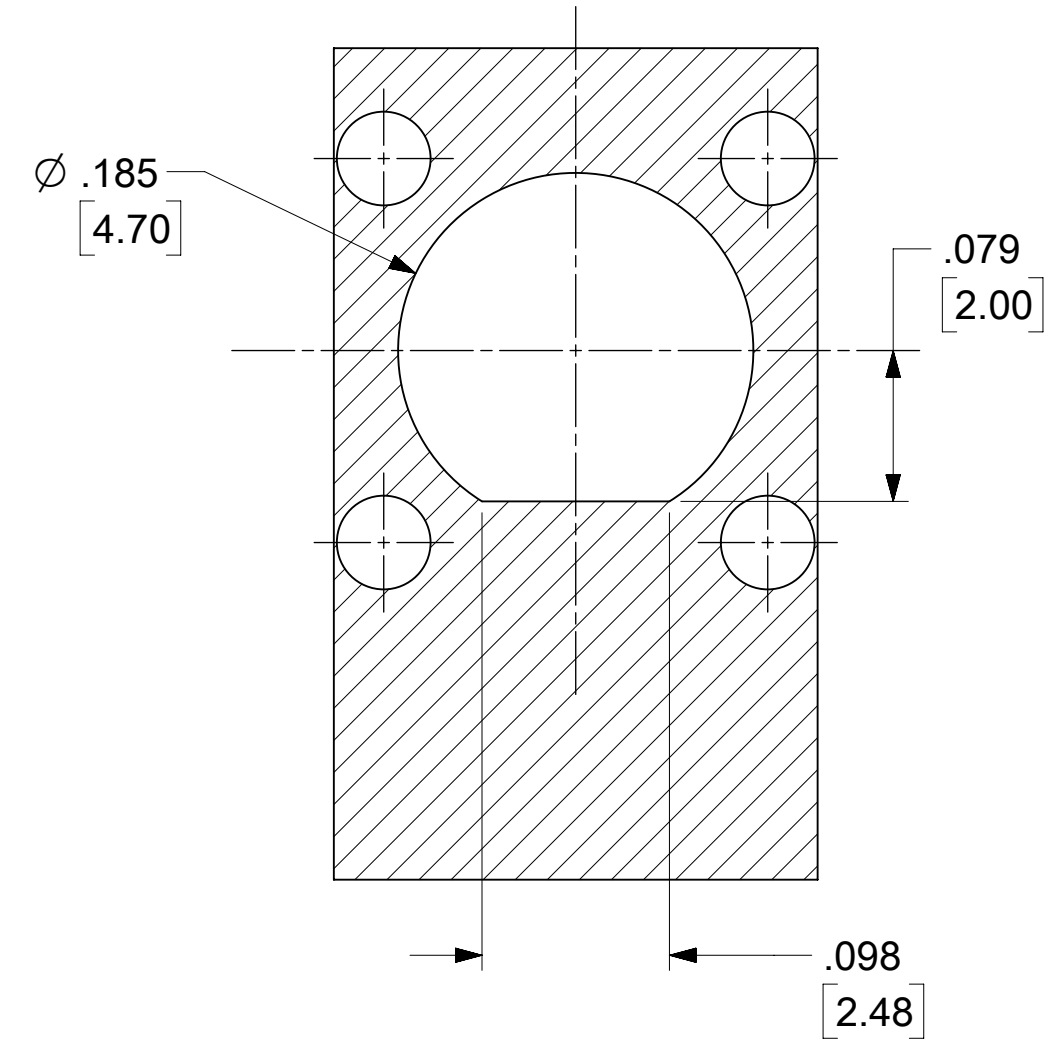
MOUNTING LAYER
(LAYER 1)



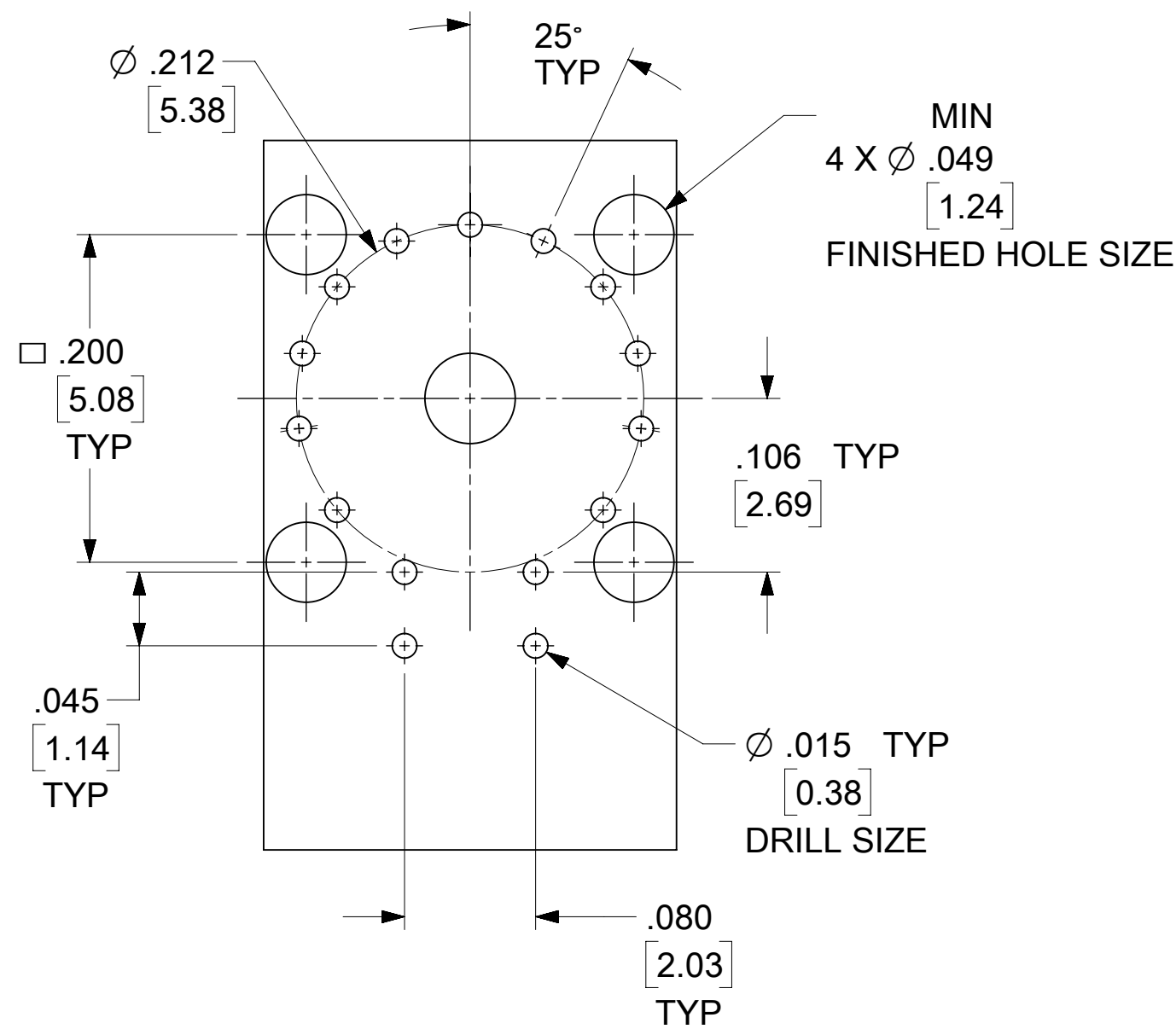
REFERENCE LAYER
(LAYER 2)



SUBSEQUENT LAYERS
(LAYER 3 AND SUBSEQUENT)



VIAS AND PLATED MOUNTING HOLES



PCB STACK UP

LAYER	MATERIAL	Dk	THICKNESS (mil)
1	Cu + PLATING		2.1
	RO4350	3.66	10
2	Cu		0.7
	RO4350	3.66	10
3*	Cu		0.7

* SUBSEQUENT LAYERS MAY BE ADDED AS REQUIRED FOR INDIVIDUAL APPLICATIONS

TYPICAL PERFORMANCE CHARACTERISTICS WITH CONNECTOR AND PCB LAUNCH SHOWN

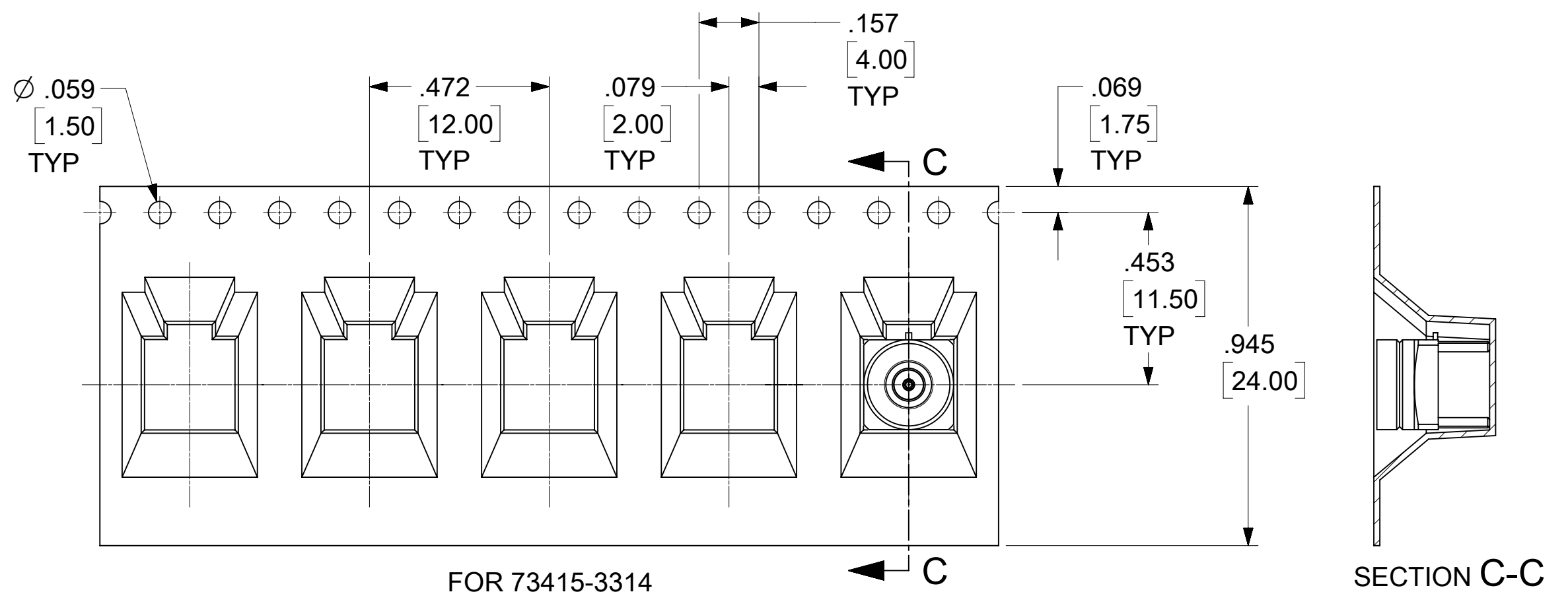
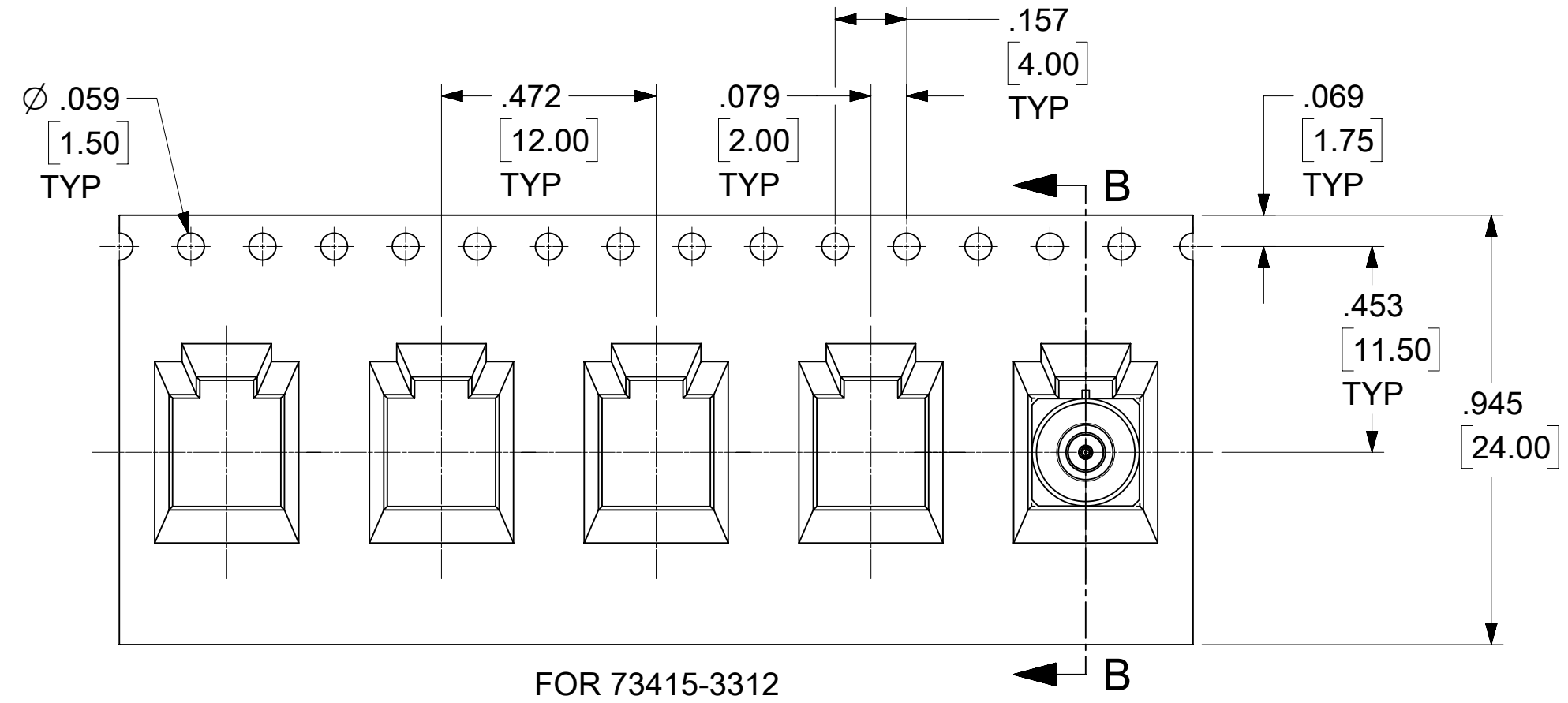
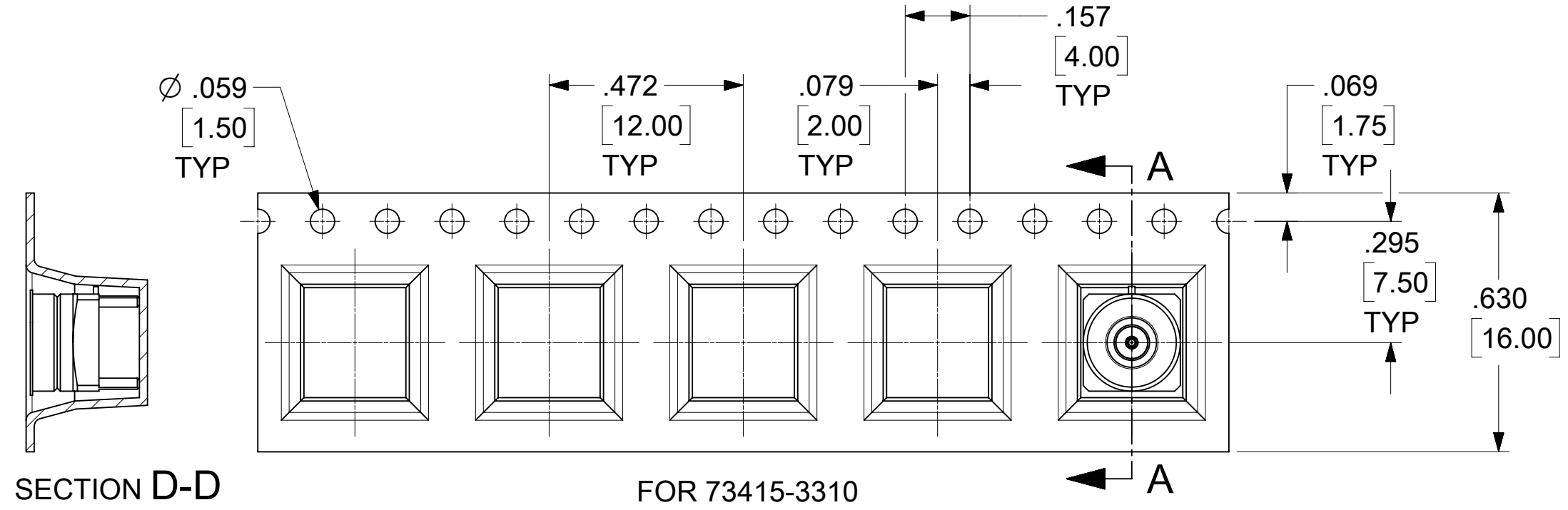
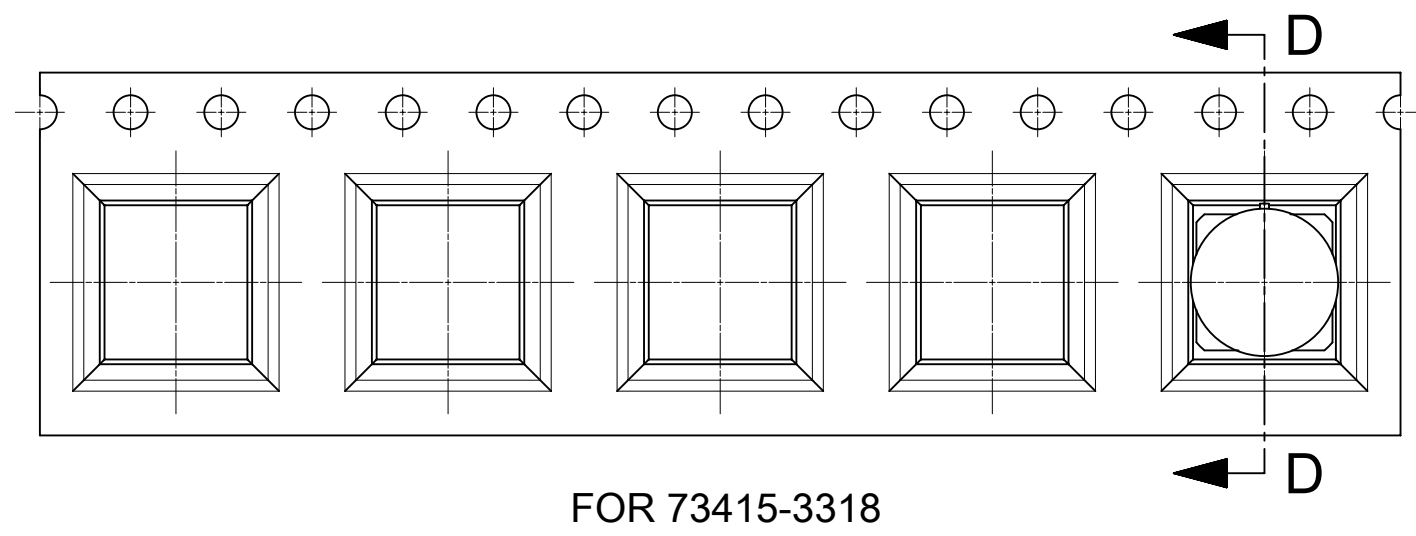
TYPICAL RETURN LOSS	FREQUENCY BAND
20dB	DC TO 18GHz

VARYING PCB STACKUPS AND PCB LAUNCH WILL RESULT IN VARYING RESULTS

CONTACT MOLEX RF / MICROWAVE FOR APPLICATION SPECIFIC ASSISTANCE

FUNCTIONAL SYMBOLS	THIS DRAWING CONTAINS INFORMATION THAT IS PROPRIETARY TO MOLEX ELECTRONIC TECHNOLOGIES, LLC AND SHOULD NOT BE USED WITHOUT WRITTEN PERMISSION		CURRENT REV DESC: ADD P/N 73415-3319 FOR SMALL PACK PER EWR15321-D						
	$\frac{F}{A} = 0$ $\frac{F}{C} = 0$ $\frac{F}{P} = 0$	DIMENSION UNITS: INCH/MM SCALE: NTS							GENERAL TOLERANCES (UNLESS SPECIFIED)
DIVISIONAL SYMBOLS	4 PLACES	±	±	EC NO: 718862	SMP PLUG STRAIGHT PCB LIMITED DETENT, EWR-1359 SMP-P/PCB PRODUCT CUSTOMER DRAWING				
	3 PLACES	±	± 0.01	DRWN: CWEI02 2022/08/22					
	2 PLACES	± 0.25	±	CHK'D: YCHENG 2022/08/25					
	1 PLACE	±	±	APPR: YCHENG 2022/08/25					
	0 PLACES	±	±	INITIAL REVISION:	DOCUMENT NUMBER				
	ANGULAR TOL	± 2.0 °		DRWN: JMASTRIANO 2005/12/09	SD-73415-331		PSD	001	C12
	DRAFT WHERE APPLICABLE MUST REMAIN WITHIN DIMENSIONS			APPR: JWIENER 2005/12/09	MATERIAL NUMBER		CUSTOMER		SHEET NUMBER
				THIRD ANGLE PROJECTION	DRAWING	SERIES			2 OF 4
					C-SIZE	73415			

NOTE
1. 10 PIECES CUMULATIVE TOLERANCE ±0.20[.008]



FUNCTIONAL SYMBOLS $\frac{F}{A} = 0$ $\frac{F}{C} = 0$ $\frac{F}{P} = 0$ DIVISIONAL SYMBOLS	THIS DRAWING CONTAINS INFORMATION THAT IS PROPRIETARY TO MOLEX ELECTRONIC TECHNOLOGIES, LLC AND SHOULD NOT BE USED WITHOUT WRITTEN PERMISSION		CURRENT REV DESC: ADD P/N 73415-3319 FOR SMALL PACK PER EWR15321-D	
	DIMENSION UNITS	SCALE	EC NO: 718862	
	INCH/MM	NTS	DRWN: CWEI02	2022/08/22
	GENERAL TOLERANCES (UNLESS SPECIFIED)		CHK'D: YCHENG	2022/08/25
		APPR: YCHENG	2022/08/25	
		INITIAL REVISION:	DOCUMENT NUMBER	
		DRWN: JMASTRIANO	2005/12/09	SD-73415-331
		APPR: JWIENER	2005/12/09	PSD 001 C12
DRAFT WHERE APPLICABLE MUST REMAIN WITHIN DIMENSIONS		THIRD ANGLE PROJECTION	DRAWING	SERIES
			C-SIZE	73415
		MATERIAL NUMBER	CUSTOMER	SHEET NUMBER
		SEE TABLE		3 OF 4

molex

SMP PLUG STRAIGHT PCB
LIMITED DETENT, EWR-1359 SMP-P/PCB

PRODUCT CUSTOMER DRAWING

LABEL:
 -ORDER NUMBER
 -QUANTITY
 -PART NUMBER
 -LOT NUMBER

75 EMPTY UNITS
 MINIMUM

ORDER QUANTITY
 PACKED WITH 750
 PARTS

40 EMPTY UNITS
 MINIMUM

5.842
 5.84
 MIN

Ø 12.993
 330.02

HANDLING DIRECTION →

FOR 73415-3310
 73415-3312
 73415-3314
 73415-3318

DETAIL E
 SCALE 2:1

FOR 73415-3310

DETAIL F
 SCALE 2:1


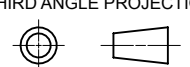
FOR 73415-3312

DETAIL G
 SCALE 2:1

FOR 73415-3314

DETAIL H
 SCALE 2:1

FOR 73415-3318

FUNCTIONAL SYMBOLS	THIS DRAWING CONTAINS INFORMATION THAT IS PROPRIETARY TO MOLEX ELECTRONIC TECHNOLOGIES, LLC AND SHOULD NOT BE USED WITHOUT WRITTEN PERMISSION									
	DIMENSION UNITS	SCALE		CURRENT REV DESC: ADD P/N 73415-3319 FOR SMALL PACK PER EWR15321-D						 SMP PLUG STRAIGHT PCB LIMITED DETENT, EWR-1359 SMP-P/PCB
FA = 0	INCH/MM	NTS								
DIVISIONAL SYMBOLS	GENERAL TOLERANCES (UNLESS SPECIFIED)									
		MM	INCH							
DIVISIONAL SYMBOLS	4 PLACES	±	±	EC NO: 718862						
	3 PLACES	±	± 0.01	DRWN: CWEI02 2022/08/22						
	2 PLACES	± 0.25	±	CHK'D: YCHENG 2022/08/25						
	1 PLACE	±	±	APPR: YCHENG 2022/08/25						
	0 PLACES	±	±	INITIAL REVISION:						
	ANGULAR TOL	± 2.0 °	DRWN: JMASTRIANO 2005/12/09							
	DRAFT WHERE APPLICABLE MUST REMAIN WITHIN DIMENSIONS		THIRD ANGLE PROJECTION		DRAWING	SERIES	MATERIAL NUMBER	CUSTOMER	SHEET NUMBER	
					C-SIZE	73415	SEE TABLE		PSD 001	C12

DOCUMENT STATUS	P1	RELEASE DATE	2022/08/25	04:24:38
-----------------	----	--------------	------------	----------