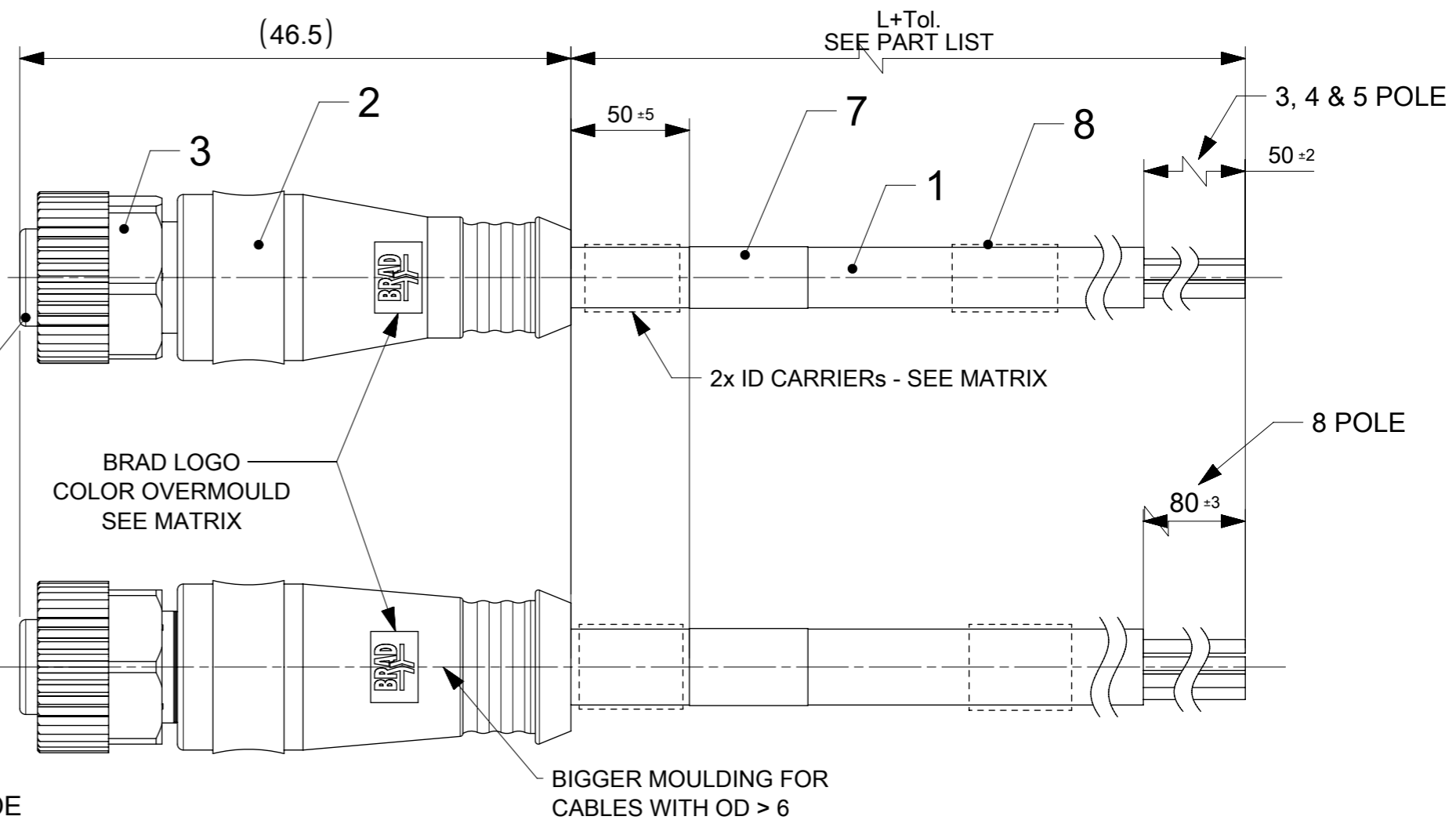
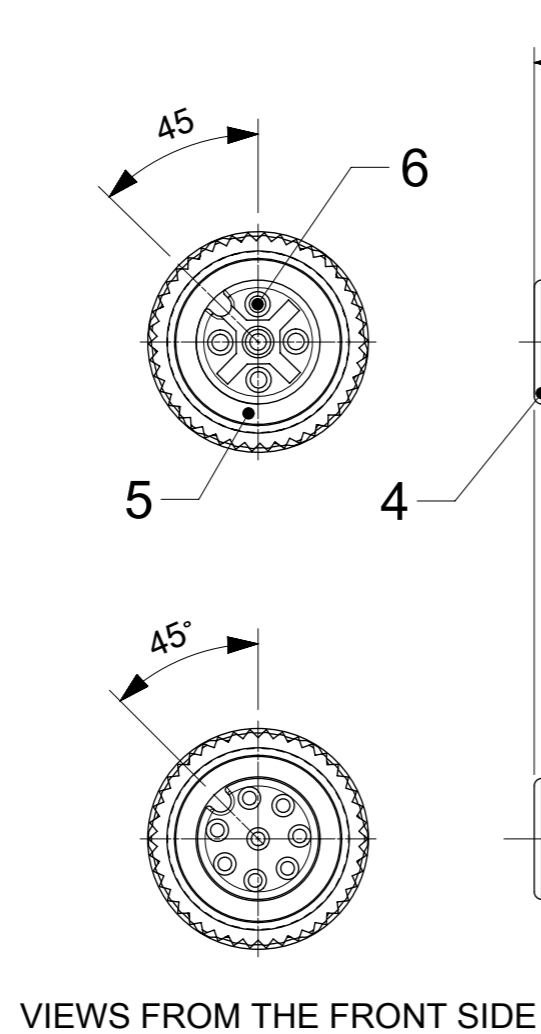
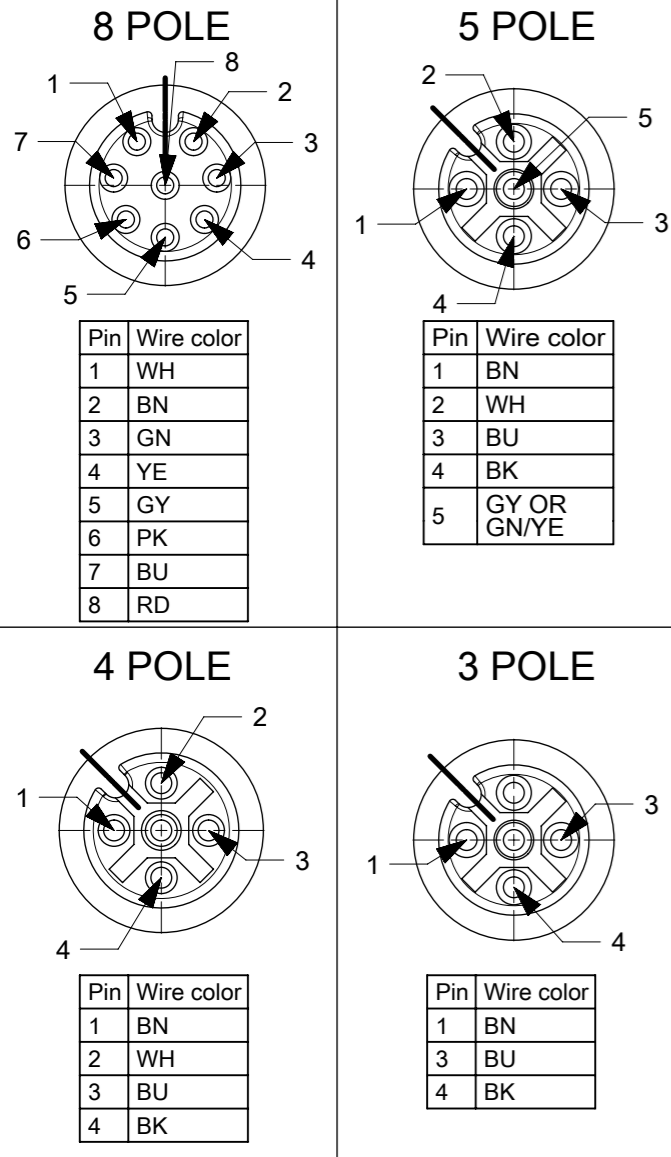


VIEWS FROM THE FRONT SIDE FEMALE



NOTES:

TEMPERATURE RANGE : SEE CABLE LIST

RATED VOLTAGE:
3, 4 contacts : 250V
5 contacts : 60V
8 contacts : 30V

RATED CURRENT:
3, 4, 5 contacts : 4A
8 contacts : 2A

PROTECTION CLASS: IP 67

CABLE LIST

| CABLE TYPE | NO. OF WIRES | CROSS SECTION | CABLE JACKET | UL | CSA | STATIC: TEMP. / BENDING RADIUS | DYNAMIC: TEMP. / BENDING RADIUS | DRAG CHAIN | OTHER |
|------------|--------------|---------------------|--------------|----------|-----|--------------------------------|---------------------------------|-------------------------------------|----------------------|
| B30 | 3 / 4 / 5 | 0.34mm ² | TPU Black | UL 21215 | YES | -40°C to +90°C 5xO.D. | -25°C to +80°C 7.5xO.D. | up to 5 000 000 cycles at temp 20°C | WELD SLAG RESISTANCE |
| B41 | 8 | 0.25mm ² | TPU Black | | | | | | |
| B42 | 5 | 0.34mm ² | TPU Black | | | | | | |
| B33 | 4 / 5 | 0.34mm ² | TPU Gray | | | | | | |
| B55 | 4 / 5 | 0.34mm ² | TPU Yellow | | | | | | |
| B36 | 4 / 5 | 0.34mm ² | TPU Orange | | | | | | |
| B39 | 5 | 0.34mm ² | TPU Yellow | | | | | | |

BOM

| ITEM | QTY. | DESCRIPTION | MATERIAL | FINISH/COLOR |
|------|---------|---------------|----------------|---------------------|
| 8 | 0/2 | I/D CARRIER | - | - |
| 7 | 1 | LABEL | VINYL | YELLOW |
| 6 | 3/4/5/8 | CONTACTS | BRASS | GOLD OVER Ni-PLATED |
| 5 | 1 | GASKET | FPM | RED |
| 4 | 1 | FEMALE INSERT | PUR | BLACK |
| 3 | 1 | COUPLING NUT | BRASS | Ni-PLATED |
| 2 | - | OVERMOULD | TPU | BLACK |
| 1 | - | CABLE | SEE CABLE LIST | SEE CABLE LIST |

THIS DRAWING CONTAINS INFORMATION THAT IS PROPRIETARY TO MOLEX ELECTRONIC TECHNOLOGIES, LLC AND SHOULD NOT BE USED WITHOUT WRITTEN PERMISSION

FUNCTIONAL SYMBOLS: $\nabla/A = 0$, $\nabla/E = 0$, $\nabla/V = 0$

DIMENSION UNITS: mm | SCALE: 2:1

GENERAL TOLERANCES (UNLESS SPECIFIED):
ANGULAR TOL: ± 1.0°
4 PLACES: ±
3 PLACES: ±
2 PLACES: ± 0.05
1 PLACE: ± 0.3
0 PLACES: ± 0.5

DRAFT WHERE APPLICABLE MUST REMAIN WITHIN DIMENSIONS

THIRD ANGLE PROJECTION:

DRAWING: A3-SIZE | SERIES: 120065 | MATERIAL NUMBER: SEE PART LIST | CUSTOMER: GENERAL MARKET

EC NO: 730989 | DRWN: ARPITT | APPR: RSILLER | 2022/12/05 | 2022/12/06 | 2022/12/06

INITIAL REVISION: DRWN: SSM | APPR: RSILLER | 2021/12/16 | 2022/02/28

DOCUMENT NUMBER: 1200652251 | DOC TYPE: PSD | DOC PART: 000 | REVISION: A1

molex

CSE M12 XP AC FE STR WSOR XM SE UNSH BK

PRODUCT CUSTOMER DRAWING

SHEET NUMBER: 1 OF 2

PART NO MATRIX

8 0 X 0 0 0 B X X X X X X X X

80 = M12x1 SINGLE ENDED

POLES:
3 = 3 POLES
4 = 4 POLES
5 = 5 POLES
8 = 8 POLES

HEADER:
000 = FEMALE STRAIGHT

CABLE:
B30 = 0,34mm², TPU BLACK
B33 = 0,34mm², TPU GREY
B36 = 0,34mm², TPU ORANGE
B39 = 0,75mm², TPU GREY
B41 = 0,25mm², TPU BLACK
B42 = 0,34mm², TPU BLACK
B49 = 0,25mm², TPU ORANGE
B55 = 0,34mm², TPU YELLOW

UNIT:
M = METER
C = CENTIMETER
T = 10 x METER

LENGTH:
EXAMPLE:
010 = 1 m
050 = 5 m
100 = 10 m

OVERMOLD COLOR:
BLANK (STANDARD) = BK
A = GY, G = BK, Y = YE, R = RD
COUPLING NUT:
BLANK (STANDARD)
= KNURLED/HEX BRASS, Ni PLATED
5 = KNURLED DERLIN
7 = KNURLED BRASS Ni PLATED,
TEFLON COATED
H = 2x ID CARRIERS
ALWAYS FOR CABLES B36)

OPTIONS

PART LIST

| Lp. | MOLEX PN | ENGINEERING No | L [mm] |
|-----|------------|-----------------|--------|
| 1 | 1200652247 | 803000B30M010 | 1000 |
| 2 | 1200652248 | 803000B30M020 | 2000 |
| 3 | 1200652249 | 803000B30M050 | 5000 |
| 4 | 1200652250 | 803000B30M100 | 10000 |
| 5 | 1200659784 | 803000B30M200 | 20000 |
| 6 | 1200652251 | 804000B30M010 | 1000 |
| 7 | 1200652252 | 804000B30M020 | 2000 |
| 8 | 1200659466 | 804000B30M030 | 3000 |
| 9 | 1200652253 | 804000B30M050 | 5000 |
| 10 | 1200659805 | 804000B30M075 | 7500 |
| 11 | 1200659788 | 804000B30M085 | 8500 |
| 12 | 1200659806 | 804000B30M098 | 9800 |
| 13 | 1200652254 | 804000B30M100 | 10000 |
| 14 | 1200659400 | 804000B30M150 | 15000 |
| 15 | 1200659467 | 804000B30M200 | 20000 |
| 16 | 1200659468 | 804000B30M250 | 25000 |
| 17 | 1200659469 | 804000B30M300 | 30000 |
| 18 | 1200659966 | 804000B33M005 | 500 |
| 19 | 1200659967 | 804000B33M010 | 1000 |
| 20 | 1200659456 | 804000B33M020 | 2000 |
| 21 | 1200659968 | 804000B33M030 | 3000 |
| 22 | 1200659969 | 804000B33M040 | 4000 |
| 23 | 1200659970 | 804000B33M050 | 5000 |
| 24 | 1200659461 | 804000B33M100 | 1000 |
| 25 | 1200659429 | 804000B36M0207Y | 2000 |
| 26 | 1200659430 | 804000B36M0507Y | 5000 |
| 27 | 1200659431 | 804000B36M1007Y | 10000 |
| 28 | 1200659963 | 805000B30M006 | 600 |
| 29 | 1200659518 | 805000B30M010 | 1000 |
| 30 | 1200659519 | 805000B30M020 | 2000 |

| Lp. | MOLEX PN | ENGINEERING No | L [mm] |
|-----|------------|-----------------|--------|
| 31 | 1200659984 | 805000B30M0207 | 2000 |
| 32 | 1200659520 | 805000B30M050 | 5000 |
| 33 | 1200659521 | 805000B30M100 | 10000 |
| 34 | 1200656214 | 805000B30M150 | 15000 |
| 35 | 1200659457 | 805000B33M020 | 2000 |
| 36 | 1200659462 | 805000B33M100 | 10000 |
| 37 | 1200656042 | 805000B39M050 | 5000 |
| 38 | 1200652255 | 805000B42M010 | 1000 |
| 39 | 1200652256 | 805000B42M020 | 2000 |
| 40 | 1200652257 | 805000B42M050 | 5000 |
| 41 | 1200652258 | 805000B42M100 | 10000 |
| 42 | 1200659543 | 805000B42M200 | 20000 |
| 43 | 1200659544 | 805000B42M300 | 30000 |
| 44 | 1200656062 | 805000B42M005 | 500 |
| 45 | 1200652306 | 808000B41M010 | 1000 |
| 46 | 1200659458 | 808000B41M020 | 2000 |
| 47 | 1200659777 | 808000B41M030 | 3000 |
| 48 | 1200652308 | 808000B41M050 | 5000 |
| 49 | 1200659463 | 808000B41M100 | 10000 |
| 50 | 1200656044 | 808000B41M150 | 15000 |
| 51 | 1200659734 | 808000B41M200 | 20000 |
| 52 | 1200656388 | 804000B36M0207H | 2000 |
| 53 | 1200656389 | 804000B36M0507H | 5000 |
| 54 | 1200656390 | 804000B36M1007H | 10000 |

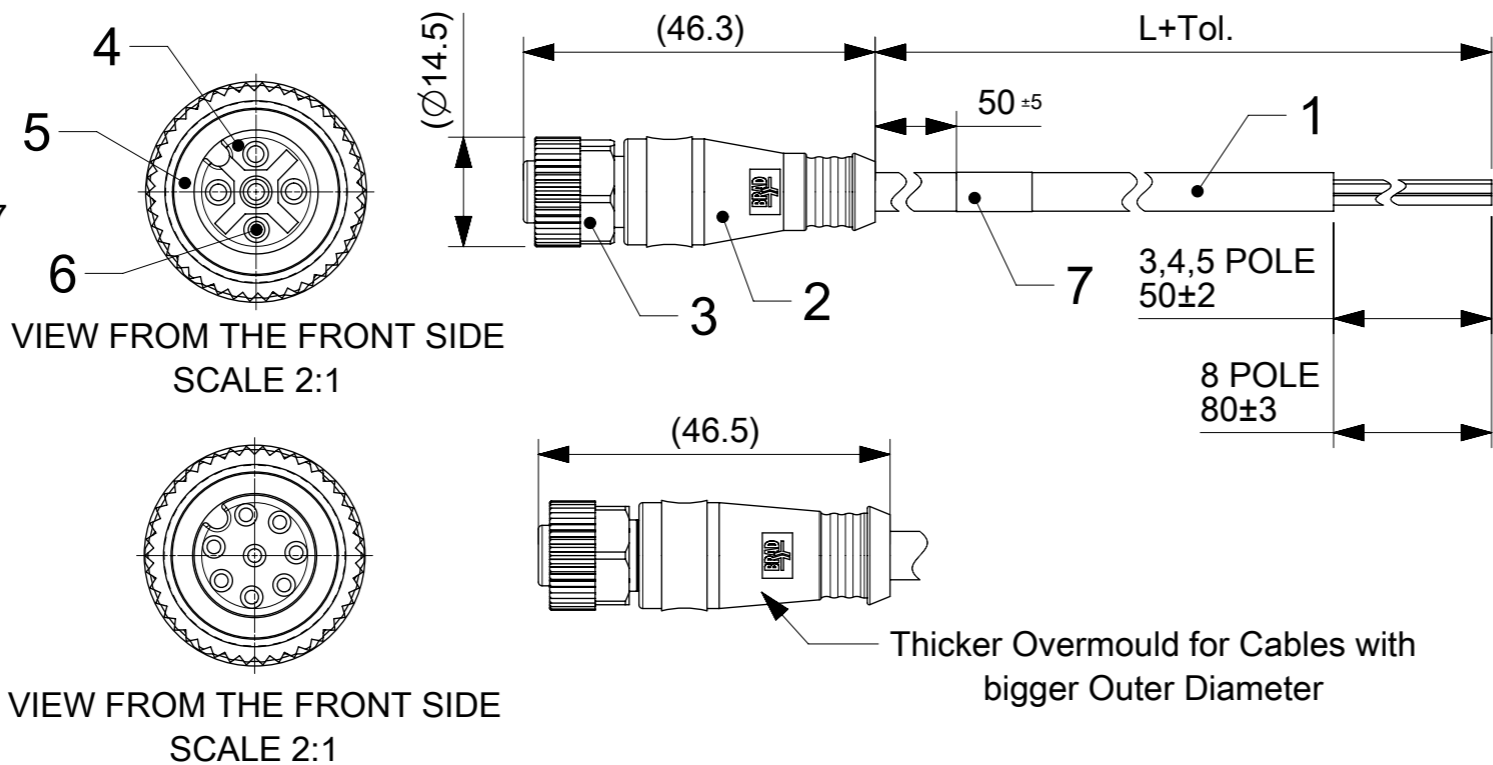
| Lp. | MOLEX PN | ENGINEERING No | L [mm] |
|-----|------------|-----------------|--------|
| 55 | 1200656550 | 804000B36M1507Y | 15000 |
| 56 | 1200656551 | 804000B36M2007Y | 20000 |
| 57 | 1200656485 | 808000B41M250 | 25000 |
| 58 | 1200656519 | 804000B33M050A | 5000 |
| 59 | 1200656515 | 804000B33M005A | 500 |
| 60 | 1200656516 | 804000B33M010A | 1000 |
| 61 | 1200656517 | 804000B33M020A | 2000 |
| 62 | 1200656518 | 804000B33M030A | 3000 |
| 63 | 1200656520 | 804000B33M100A | 10000 |
| 64 | 1200656605 | 804000B33M150A | 15000 |
| 65 | 1200656606 | 804000B33M200A | 20000 |
| 66 | 1200656643 | 805000B33M010A | 1000 |
| 67 | 1200656644 | 805000B33M020A | 2000 |
| 68 | 1200656645 | 805000B33M030A | 3000 |
| 69 | 1200656646 | 805000B33M050A | 5000 |
| 70 | 1200656647 | 805000B33M100A | 10000 |
| 71 | 1200656648 | 805000B33M150A | 15000 |
| 72 | 1200656649 | 805000B33M200A | 20000 |
| 73 | 1200652393 | 808000B41M010R | 1000 |
| 74 | 1200656620 | 804000B55M010Y | 1000 |
| 75 | 1200656621 | 804000B55M020Y | 2000 |
| 76 | 1200656622 | 804000B55M030Y | 3000 |
| 77 | 1200656623 | 804000B55M050Y | 5000 |
| 78 | 1200656624 | 804000B55M100Y | 10000 |

| Lp. | MOLEX PN | ENGINEERING No | L [mm] |
|-----|------------|-----------------|--------|
| 79 | 1200656625 | 804000B55M150Y | 15000 |
| 80 | 1200656626 | 804000B55M200Y | 20000 |
| 81 | 1200656650 | 805000B30M030 | 3000 |
| 82 | 1200656483 | 805000B30M200 | 20000 |
| 83 | 1200656651 | 805000B55M010Y | 1000 |
| 84 | 1200656652 | 805000B55M020Y | 2000 |
| 85 | 1200656653 | 805000B55M030Y | 3000 |
| 86 | 1200656654 | 805000B55M050Y | 5000 |
| 87 | 1200656655 | 805000B55M100Y | 10000 |
| 88 | 1200656656 | 805000B55M150Y | 15000 |
| 89 | 1200656657 | 805000B55M200Y | 20000 |
| 90 | 1200656851 | 804000B36M0107Y | 1000 |
| 91 | 1200656835 | 805000B36M1007Y | 10000 |
| 92 | 1200657125 | 804000B33M300A | 30000 |
| 93 | 1200657126 | 804000B33M400A | 40000 |
| 94 | 1200657127 | 804000B33M500A | 50000 |
| 95 | 1200657128 | 804000B33M700A | 70000 |
| 96 | 1200657176 | 805000B33M005A | 500 |
| 97 | 1200657177 | 805000B33M300A | 30000 |
| 98 | 1200657178 | 805000B33M400A | 40000 |
| 99 | 1200657179 | 805000B33M500A | 50000 |
| 100 | 1200659639 | 804000B30M030R | 3000 |
| 101 | 1200652388 | 804000B30M010R | 1000 |

| OVER | UP TO AND INCLUDING | TOLERANCE(+) |
|-------|---------------------|---------------|
| 0 | 1000 | +40 0 |
| 1000 | 5000 | +60 0 |
| 5000 | 10000 | +80 0 |
| 10000 | 20000 | +140 0 |
| 20000 | 30000 | +160 0 |
| 30000 | > | +1% OF LENGTH |

| | | | |
|--|---|--|---|
| FUNCTIONAL SYMBOLS | THIS DRAWING CONTAINS INFORMATION THAT IS PROPRIETARY TO MOLEX ELECTRONIC TECHNOLOGIES, LLC AND SHOULD NOT BE USED WITHOUT WRITTEN PERMISSION | CURRENT REV DESC: UPDATED OVM DIMENSION. | |
| | $\nabla_A = 0$ $\nabla_E = 0$ $\nabla_F = 0$ | DIMENSION UNITS: mm SCALE: 1:1 GENERAL TOLERANCES (UNLESS SPECIFIED) ANGULAR TOL ± 1.0° 4 PLACES ± 3 PLACES ± 2 PLACES ± 0.05 1 PLACE ± 0.3 0 PLACES ± 0.5 | EC NO: 730989 DRWN: ARPITT 2022/12/05 CHK'D: RSILLER 2022/12/06 APPR: RSILLER 2022/12/06 |
| DIVISIONAL SYMBOLS | DRAFT WHERE APPLICABLE MUST REMAIN WITHIN DIMENSIONS THIRD ANGLE PROJECTION DRAWING: A3-SIZE SERIES: 120065 | INITIAL REVISION: DRWN: SSM 2021/12/16 APPR: RSILLER 2022/02/28 | DOCUMENT NUMBER: 1200652251 DOC TYPE: PSD DOC PART: 000 REVISION: A1 |
| MATERIAL NUMBER: SEE PART LIST CUSTOMER: GENERAL MARKET SHEET NUMBER: 2 OF 2 | | | |

NOTES:
 RATED VOLTAGE:
 3, 4 contacts 250V
 5 contacts 60V
 8 contacts 30V
 RATED CURRENT:
 3, 4, 5 contacts 4A
 8 contacts 2A
 PROTECTION CLASS: IP 67



CONTACTS POSITION FRONT VIEW:

| | 3 CONTACTS | 4 CONTACTS | 5 CONTACTS | 8 CONTACTS | | | | | | | | | | | | | | | | | | | | | | | | | | | | | | | | | | | | | | | | | | | | | | | | |
|-------------|---|------------|------------|------------|-------|---|------|---|-------|---|-----|------|---|-------|---|-------|---|------|---|-------|--|-----|------|---|-------|---|-------|---|------|---|-------|---|----------------------|--|-----|------|---|-------|---|-------|---|-------|---|--------|---|------|---|------|---|------|---|-----|
| FEMALE | | | | | | | | | | | | | | | | | | | | | | | | | | | | | | | | | | | | | | | | | | | | | | | | | | | | |
| CONNECTIONS | <table border="1"> <tr><th>PIN</th><th>WIRE</th></tr> <tr><td>1</td><td>BROWN</td></tr> <tr><td>3</td><td>BLUE</td></tr> <tr><td>4</td><td>BLACK</td></tr> </table> | PIN | WIRE | 1 | BROWN | 3 | BLUE | 4 | BLACK | <table border="1"> <tr><th>PIN</th><th>WIRE</th></tr> <tr><td>1</td><td>BROWN</td></tr> <tr><td>2</td><td>WHITE</td></tr> <tr><td>3</td><td>BLUE</td></tr> <tr><td>4</td><td>BLACK</td></tr> </table> | PIN | WIRE | 1 | BROWN | 2 | WHITE | 3 | BLUE | 4 | BLACK | <table border="1"> <tr><th>PIN</th><th>WIRE</th></tr> <tr><td>1</td><td>BROWN</td></tr> <tr><td>2</td><td>WHITE</td></tr> <tr><td>3</td><td>BLUE</td></tr> <tr><td>4</td><td>BLACK</td></tr> <tr><td>5</td><td>GREY OR GREEN/YELLOW</td></tr> </table> | PIN | WIRE | 1 | BROWN | 2 | WHITE | 3 | BLUE | 4 | BLACK | 5 | GREY OR GREEN/YELLOW | <table border="1"> <tr><th>PIN</th><th>WIRE</th></tr> <tr><td>1</td><td>WHITE</td></tr> <tr><td>2</td><td>BROWN</td></tr> <tr><td>3</td><td>GREEN</td></tr> <tr><td>4</td><td>YELLOW</td></tr> <tr><td>5</td><td>GREY</td></tr> <tr><td>6</td><td>PINK</td></tr> <tr><td>7</td><td>BLUE</td></tr> <tr><td>8</td><td>RED</td></tr> </table> | PIN | WIRE | 1 | WHITE | 2 | BROWN | 3 | GREEN | 4 | YELLOW | 5 | GREY | 6 | PINK | 7 | BLUE | 8 | RED |
| PIN | WIRE | | | | | | | | | | | | | | | | | | | | | | | | | | | | | | | | | | | | | | | | | | | | | | | | | | | |
| 1 | BROWN | | | | | | | | | | | | | | | | | | | | | | | | | | | | | | | | | | | | | | | | | | | | | | | | | | | |
| 3 | BLUE | | | | | | | | | | | | | | | | | | | | | | | | | | | | | | | | | | | | | | | | | | | | | | | | | | | |
| 4 | BLACK | | | | | | | | | | | | | | | | | | | | | | | | | | | | | | | | | | | | | | | | | | | | | | | | | | | |
| PIN | WIRE | | | | | | | | | | | | | | | | | | | | | | | | | | | | | | | | | | | | | | | | | | | | | | | | | | | |
| 1 | BROWN | | | | | | | | | | | | | | | | | | | | | | | | | | | | | | | | | | | | | | | | | | | | | | | | | | | |
| 2 | WHITE | | | | | | | | | | | | | | | | | | | | | | | | | | | | | | | | | | | | | | | | | | | | | | | | | | | |
| 3 | BLUE | | | | | | | | | | | | | | | | | | | | | | | | | | | | | | | | | | | | | | | | | | | | | | | | | | | |
| 4 | BLACK | | | | | | | | | | | | | | | | | | | | | | | | | | | | | | | | | | | | | | | | | | | | | | | | | | | |
| PIN | WIRE | | | | | | | | | | | | | | | | | | | | | | | | | | | | | | | | | | | | | | | | | | | | | | | | | | | |
| 1 | BROWN | | | | | | | | | | | | | | | | | | | | | | | | | | | | | | | | | | | | | | | | | | | | | | | | | | | |
| 2 | WHITE | | | | | | | | | | | | | | | | | | | | | | | | | | | | | | | | | | | | | | | | | | | | | | | | | | | |
| 3 | BLUE | | | | | | | | | | | | | | | | | | | | | | | | | | | | | | | | | | | | | | | | | | | | | | | | | | | |
| 4 | BLACK | | | | | | | | | | | | | | | | | | | | | | | | | | | | | | | | | | | | | | | | | | | | | | | | | | | |
| 5 | GREY OR GREEN/YELLOW | | | | | | | | | | | | | | | | | | | | | | | | | | | | | | | | | | | | | | | | | | | | | | | | | | | |
| PIN | WIRE | | | | | | | | | | | | | | | | | | | | | | | | | | | | | | | | | | | | | | | | | | | | | | | | | | | |
| 1 | WHITE | | | | | | | | | | | | | | | | | | | | | | | | | | | | | | | | | | | | | | | | | | | | | | | | | | | |
| 2 | BROWN | | | | | | | | | | | | | | | | | | | | | | | | | | | | | | | | | | | | | | | | | | | | | | | | | | | |
| 3 | GREEN | | | | | | | | | | | | | | | | | | | | | | | | | | | | | | | | | | | | | | | | | | | | | | | | | | | |
| 4 | YELLOW | | | | | | | | | | | | | | | | | | | | | | | | | | | | | | | | | | | | | | | | | | | | | | | | | | | |
| 5 | GREY | | | | | | | | | | | | | | | | | | | | | | | | | | | | | | | | | | | | | | | | | | | | | | | | | | | |
| 6 | PINK | | | | | | | | | | | | | | | | | | | | | | | | | | | | | | | | | | | | | | | | | | | | | | | | | | | |
| 7 | BLUE | | | | | | | | | | | | | | | | | | | | | | | | | | | | | | | | | | | | | | | | | | | | | | | | | | | |
| 8 | RED | | | | | | | | | | | | | | | | | | | | | | | | | | | | | | | | | | | | | | | | | | | | | | | | | | | |

FOR OPTION SEE - NUMERICAL CODE - ON SHEET 2

| ITEM | QTY. | DESCRIPTION | MATERIAL | FINISH |
|------|---------|---------------------|-------------|---------------------|
| 7 | 1 | LABEL YE | VINYL | - |
| 6 | 3/4/5/8 | CONTACT FE | BRASS | GOLD OVER Ni-PLATED |
| 5 | 1 | GASKET RD | FPM | - |
| 4 | 1 | INSERT M12 FE XP BK | PUR | - |
| 3 | 1 | COUPLING NUT M12 FE | SEE SHEET 2 | SEE SHEET 2 |
| 2 | - | OVERMOULDING | SEE SHEET 2 | SEE SHEET 2 |
| 1 | - | CABLE | SEE SHEET 2 | - |

| | | | | | | | |
|--|---|-----------------------------------|--------------------|-----------------|--------------------------|--------------|--------------------------------------|
| FUNCTIONAL SYMBOLS | THIS DRAWING CONTAINS INFORMATION THAT IS PROPRIETARY TO MOLEX ELECTRONIC TECHNOLOGIES, LLC AND SHOULD NOT BE USED WITHOUT WRITTEN PERMISSION | CURRENT REV DESC: STANDARDIZATION | | molex | | | |
| | GENERAL TOLERANCES (UNLESS SPECIFIED) | ANGULAR TOL ± ° | | | | | CSE M12 XP AC FE STR WSOR XM SE UNSH |
| | DIVISIONAL SYMBOLS | EC NO: 681756 | DRWN: MKOWALCZYK01 | 2021/10/18 | PRODUCT CUSTOMER DRAWING | | |
| | 4 PLACES ± | CHK'D: ALEKSP3 | 2021/10/18 | DOCUMENT NUMBER | | | |
| 3 PLACES ± | APPR: KMARCINIAK01 | 2021/10/18 | DOC TYPE | | | | |
| 2 PLACES ± | INITIAL REVISION: | | DOC PART | | | | |
| 1 PLACE ± | DRWN: AKONDRACIUK | 2016/11/26 | REVISION | | | | |
| 0 PLACES ± | APPR: MIWASIECZKO | 2016/12/06 | 1200652251 | | | | |
| DRAFT WHERE APPLICABLE MUST REMAIN WITHIN DIMENSIONS | THIRD ANGLE PROJECTION | DRAWING | SERIES | MATERIAL NUMBER | CUSTOMER | SHEET NUMBER | |
| | | A3-SIZE | 120065 | SEE PART LIST | | 1 OF 2 | |

ENGINEERING NO - NUMERICAL CODE (Available parts see PART LIST table. Other parts available upon request).

8 0 X 0 0 0 B X X M X X X X

88 = M12x1
SINGLE ENDED

POLES:
3 = 3 POLES
4 = 4 POLES
5 = 5 POLES
8 = 8 POLES

HEADER:
000 = PLUG FEMALE STRAIRIGHT

CABLE TYPE:
SEE TABLE

UNIT:
M = METER

LENGTH:
EXAMPLE:
010 = 1 m
050 = 5 m
100 = 10 m

OPTIONS

Overmold color:
Blank (Standard)=Black
A=Grey / G=Black / Y=Yellow / R=Red

Coupling Nut:
Blank (Standard)=Knurled/Hex Brass, Ni Plated
5=Knurled Derlin
7=Knurled Brass Ni Plated, Teflon Coated

H= 2 pcs. of I/D Carrier PVC Transparent
(Cables B36 always with
2 pcs. I/D Carrier)



CABLE INFORMATION (for more information see Cable Data Sheet).

| CABLE TYPE | NO. OF WIRES | CROSS SECTION | CABLE JACKET | UL | CSA | STATIC: TEMP. / BENDING RADIUS | DYNAMIC: TEMP. / BENDING RADIUS | DRAG CHAIN: TEMP. / BENDING RADIUS | DRAG CHAIN | CABLE SPEC. DRAWING |
|------------|--------------|---------------------|--------------|--------------|-------------------------|--------------------------------|---------------------------------|------------------------------------|--|---------------------|
| B30 | 3 / 4 / 5 | 0.34mm ² | TPU Black | UL 21215/758 | C22.2 I/II A/B 80°/600V | -40°C to +90°C 5xO.D. | -25°C to +80°C 7.5xO.D. | -5°C to +60°C 7.5xO.D. | up to 5 000 000 cycles at temp 20°C | SD-120209-001 |
| B33 | 4 / 5 | 0.34mm ² | TPU Gray | | | | | | | SD-120209-001 |
| B36 | 4 / 5 | 0.34mm ² | TPU Orange | | | | | | | SD-120209-001 |
| B39 | 5 | 0.75mm ² | TPU Gray | | | | | | | n/a |
| B41 | 8 | 0.25mm ² | TPU Black | | | | | | | SD-120209-006 |
| B42 | 5 | 0.34mm ² | TPU Black | | | | | | | SD-120209-001 |
| B49 | 8 | 0.25mm ² | TPU Orange | | | | | | | SD-120209-006 |
| B55 | 3 / 4 / 5 | 0.34mm ² | TPU Yellow | | | | | | | n/a |

| OVER | UP TO AND INCLUDING | TOLERANCE |
|-------|---------------------|---------------|
| 0 | 1000 | +40 0 |
| 1000 | 5000 | +60 0 |
| 5000 | 10000 | +80 0 |
| 10000 | 20000 | +140 0 |
| 20000 | 30000 | +160 0 |
| 30000 | > | +1% OF LENGTH |

| FUNCTIONAL SYMBOLS | THIS DRAWING CONTAINS INFORMATION THAT IS PROPRIETARY TO MOLEX ELECTRONIC TECHNOLOGIES, LLC AND SHOULD NOT BE USED WITHOUT WRITTEN PERMISSION | CURRENT REV DESC: STANDARDIZATION | | molex | | | | | | | | | | | | | | | | | | | | | | | | | | | | | | |
|--|---|-----------------------------------|--|--------------|-----------------|----------------|--------------|-----|----------------|---------------------------------------|--|----------------|-----------------|--|--------------------|----------|---|--|----------|---|----------|---|---------|---|----------|---|--|--|-----------------|----------|----------|----------|------------|-----|
| | <table border="1"> <tr> <th>FUNCTIONAL SYMBOLS</th> <th>DIMENSION UNITS</th> <th>SCALE</th> </tr> <tr> <td>$\nabla_A = 0$</td> <td>mm</td> <td>1:1</td> </tr> <tr> <td>$\nabla_E = 0$</td> <td colspan="2">GENERAL TOLERANCES (UNLESS SPECIFIED)</td> </tr> <tr> <td>$\nabla_P = 0$</td> <td colspan="2">ANGULAR TOL ± °</td> </tr> <tr> <td rowspan="5">DIVISIONAL SYMBOLS</td> <td>4 PLACES</td> <td>±</td> <td rowspan="5">EC NO: 681756 DRWN: MKOWALCZYK01 2021/10/18 CHK'D: ALEKSP3 2021/10/18 APPR: KMARCINIAK01 2021/10/18</td> </tr> <tr> <td>3 PLACES</td> <td>±</td> </tr> <tr> <td>2 PLACES</td> <td>±</td> </tr> <tr> <td>1 PLACE</td> <td>±</td> </tr> <tr> <td>0 PLACES</td> <td>±</td> </tr> </table> | FUNCTIONAL SYMBOLS | DIMENSION UNITS | | SCALE | $\nabla_A = 0$ | mm | 1:1 | $\nabla_E = 0$ | GENERAL TOLERANCES (UNLESS SPECIFIED) | | $\nabla_P = 0$ | ANGULAR TOL ± ° | | DIVISIONAL SYMBOLS | 4 PLACES | ± | EC NO: 681756 DRWN: MKOWALCZYK01 2021/10/18 CHK'D: ALEKSP3 2021/10/18 APPR: KMARCINIAK01 2021/10/18 | 3 PLACES | ± | 2 PLACES | ± | 1 PLACE | ± | 0 PLACES | ± | <table border="1"> <tr> <th>DOCUMENT NUMBER</th> <th>DOC TYPE</th> <th>DOC PART</th> <th>REVISION</th> </tr> <tr> <td>1200652251</td> <td>PSD</td> <td>00P</td> <td>B2</td> </tr> </table> | | DOCUMENT NUMBER | DOC TYPE | DOC PART | REVISION | 1200652251 | PSD |
| FUNCTIONAL SYMBOLS | DIMENSION UNITS | SCALE | | | | | | | | | | | | | | | | | | | | | | | | | | | | | | | | |
| $\nabla_A = 0$ | mm | 1:1 | | | | | | | | | | | | | | | | | | | | | | | | | | | | | | | | |
| $\nabla_E = 0$ | GENERAL TOLERANCES (UNLESS SPECIFIED) | | | | | | | | | | | | | | | | | | | | | | | | | | | | | | | | | |
| $\nabla_P = 0$ | ANGULAR TOL ± ° | | | | | | | | | | | | | | | | | | | | | | | | | | | | | | | | | |
| DIVISIONAL SYMBOLS | 4 PLACES | ± | EC NO: 681756 DRWN: MKOWALCZYK01 2021/10/18 CHK'D: ALEKSP3 2021/10/18 APPR: KMARCINIAK01 2021/10/18 | | | | | | | | | | | | | | | | | | | | | | | | | | | | | | | |
| | 3 PLACES | ± | | | | | | | | | | | | | | | | | | | | | | | | | | | | | | | | |
| | 2 PLACES | ± | | | | | | | | | | | | | | | | | | | | | | | | | | | | | | | | |
| | 1 PLACE | ± | | | | | | | | | | | | | | | | | | | | | | | | | | | | | | | | |
| | 0 PLACES | ± | | | | | | | | | | | | | | | | | | | | | | | | | | | | | | | | |
| DOCUMENT NUMBER | DOC TYPE | DOC PART | REVISION | | | | | | | | | | | | | | | | | | | | | | | | | | | | | | | |
| 1200652251 | PSD | 00P | B2 | | | | | | | | | | | | | | | | | | | | | | | | | | | | | | | |
| DRAFT WHERE APPLICABLE MUST REMAIN WITHIN DIMENSIONS | | THIRD ANGLE PROJECTION | DRAWING | SERIES | MATERIAL NUMBER | CUSTOMER | SHEET NUMBER | | | | | | | | | | | | | | | | | | | | | | | | | | | |
| | | | A3-SIZE | 120065 | SEE PART LIST | | 2 OF 2 | | | | | | | | | | | | | | | | | | | | | | | | | | | |