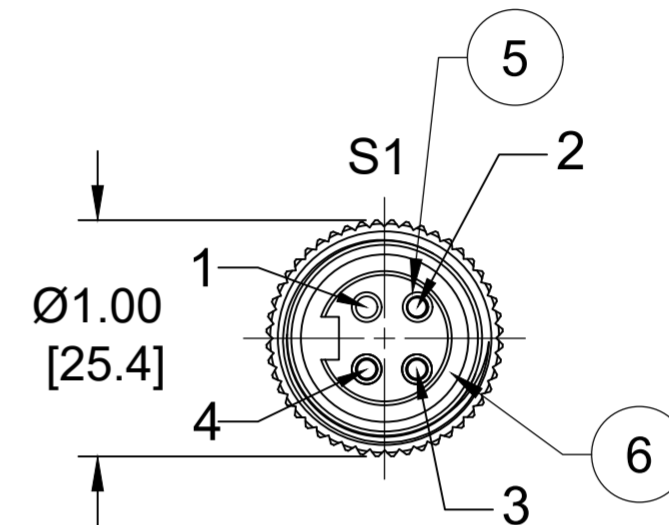
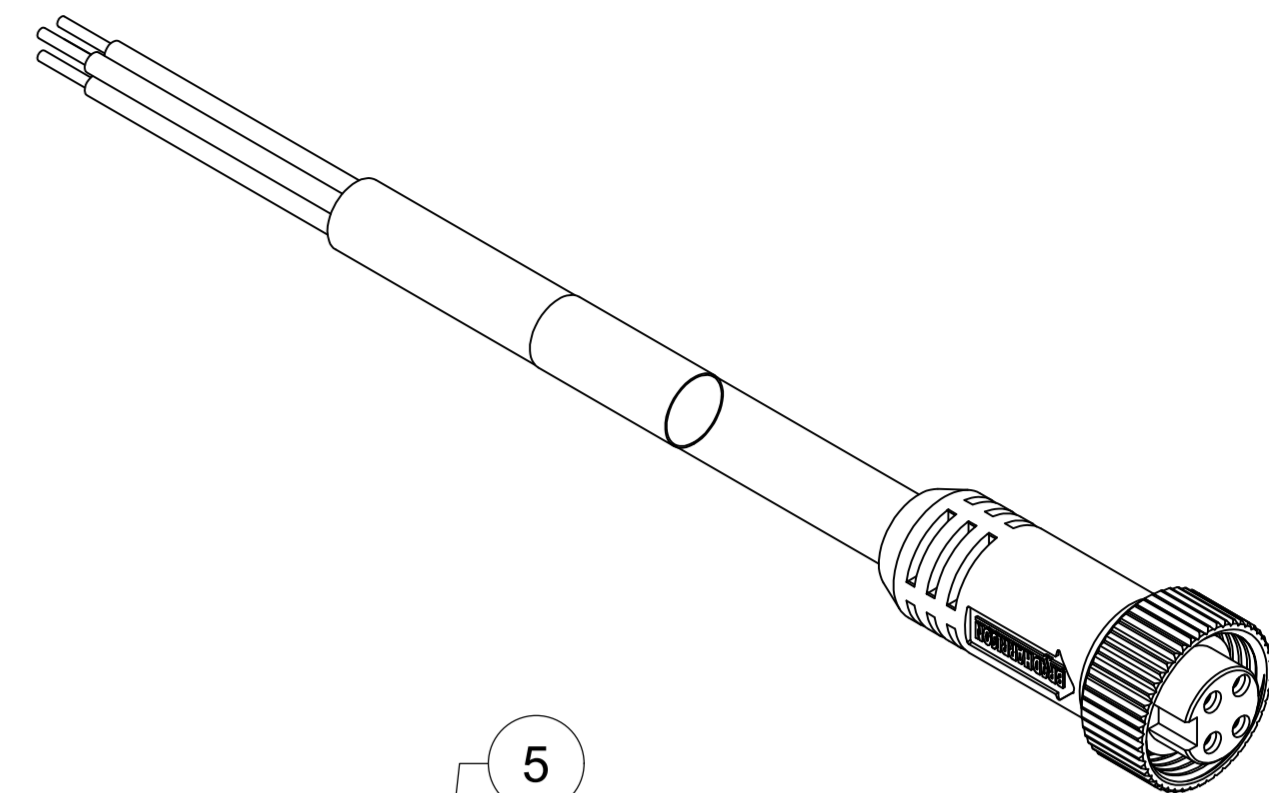
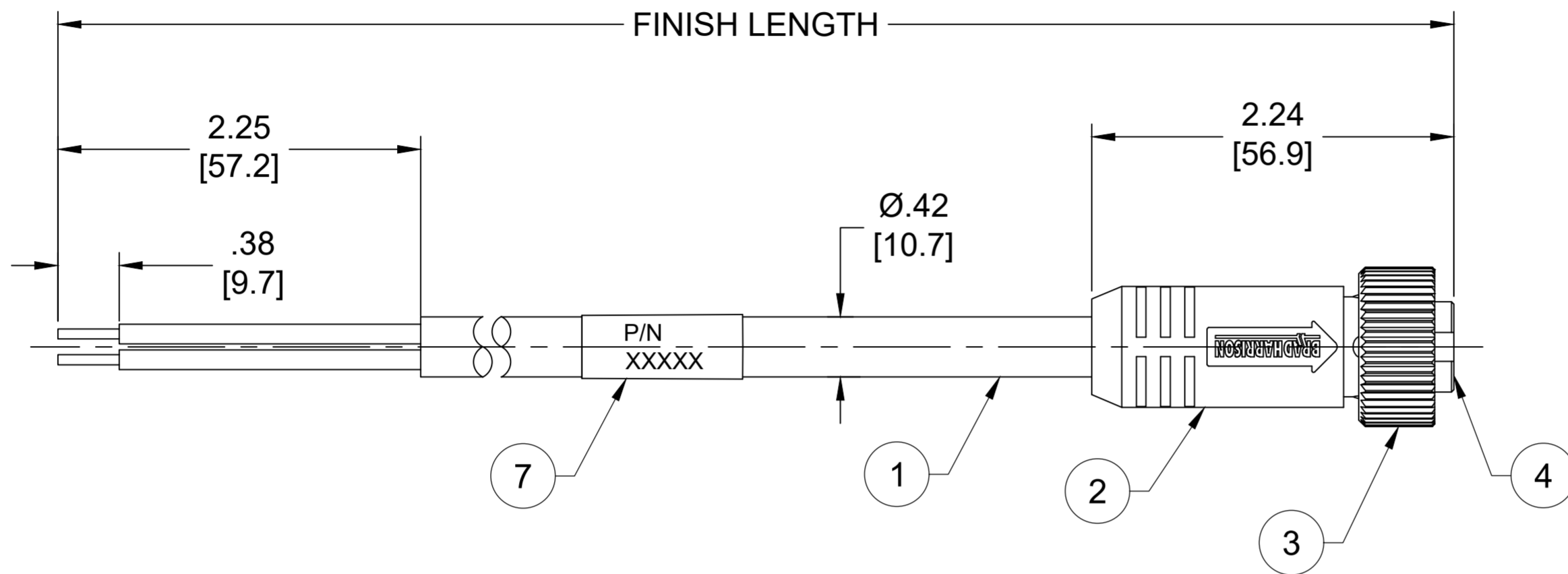


PART NO.	ENGINEERING NO.	FINISHED LENGTH
1300060726	104000A01F0301	3FT [0.9M]
1300060752	104000A01F3001	30FT [9.1M]
1300062412	104000A01M3051	30.5M [100FT]



FEMALE FACE VIEW

NOTES:

- MATERIAL: AS NOTED
- FINISH: AS NOTED
- ELECTRICAL:
VOLTAGE : 483V PER IEC 60664
600V PER UL 2238
CURRENT: 10A
- TEMP RATING: -20° TO +105°C
- PROTECTION: IP67 (WHEN MATED)
- COUPLING THREAD: 7/8"-16UN
- UL RECOGNIZED FILE: E152210
CSA CERTIFIED FILE: LR6837
- ALL DIMENSIONS ARE FOR REFERENCE UNLESS TOLERANCED OR NOTED OTHERWISE

PART NUMBER LEGEND
104000A01F0301

CABLE LENGTH
F050 = 5 FEET
F100 = 10 FEET
F500 = 50 FEET

M005 = 0.5 METER
M010 = 1 METER
M100 = 10 METER

	S1
BLACK	1
WHITE	2
RED	3
GREEN/YELLOW-GND	4

WIRING DIAGRAM

CABLE LENGTH TOLERANCES

<.3M [1FT]:	+19mm-0 [+.75in-0]
.3 - .9M [1 - 3FT]:	+44.5mm-0 [+1.75in-0]
.9 - 1.8M [3 - 6FT]:	+55.6mm-0 [+2.19in-0]
1.8 - 3.7M [6 - 12FT]:	+88.9mm-0 [+3.50in-0]
3.7 - 7.3M [12 - 24FT]:	+165.1mm-0 [+6.50in-0]
7.3-14.6M [24 - 48FT]:	+317.5mm-0 [+12.50in-0]
14.6 - 30.5M [48-100FT]:	+622.3mm-0 [+24.50in-0]
OVER 30M [100FT]	+2% OF FINISHED LENGTH

ITEM	COMPONENT	MATERIAL	FINISH
7	WRAP LABEL	VINYL	BLACK/YELLOW
6	FRICTION RING	NYLON	WHITE
5	CONTACT SOCKET	COPPER ALLOY	GOLD OVER NICKEL
4	INSERT	TPE	YELLOW
3	COUPLING NUT	STAINLESS STEEL	PASSIVATED
2	OVERMOLD	TPE	YELLOW
1	CABLE, 16 AWG STOOW/ST	PVC	YELLOW

FUNCTIONAL SYMBOLS	THIS DRAWING CONTAINS INFORMATION THAT IS PROPRIETARY TO MOLEX ELECTRONIC TECHNOLOGIES, LLC AND SHOULD NOT BE USED WITHOUT WRITTEN PERMISSION		
	DIMENSION UNITS	SCALE	CURRENT REV DESC: ITEM# 2 & 4 WERE PVC. ITEM #7 WAS PLASTIC FILM. ADDED ITEM #6, IEC VOLTAGE, PN MATRIX & TOL CHART. MODIFIED PN CHART.
DIVISIONAL SYMBOLS	INCH/MM	NTS	EC NO: 698916
	GENERAL TOLERANCES (UNLESS SPECIFIED)		DRWN: ABENJAMINLW 2021/05/20
DIVISIONAL SYMBOLS	4 PLACES	±----	CHK'D: RSTONE 2022/03/09
	3 PLACES	±----	APPR: BWOODMAN 2022/03/11
	2 PLACES	±----	INITIAL REVISION:
	1 PLACE	±----	DRWN: BWOODMAN 2009/12/28
0 PLACES	±----	APPR: JFMURPHY 2010/01/05	
ANGULAR TOL ± ---- °		THIRD ANGLE PROJECTION	DRAWING SERIES
DRAFT WHERE APPLICABLE MUST REMAIN WITHIN DIMENSIONS		C-SIZE	130006
DOCUMENT STATUS		P1	RELEASE DATE 2022/03/11 14:29:42
DOCUMENT NUMBER		SD-130006-025	DOC TYPE/DOC PART REVISION
MATERIAL NUMBER		SEE CHART	GENERAL MARKET
CUSTOMER		GENERAL MARKET	SHEET NUMBER
			1 OF 1