

# Panel feed-through - SACC-DSI-M12MS-12CON-M16 SH - 1441943

Please be informed that the data shown in this PDF Document is generated from our Online Catalog. Please find the complete data in the user's documentation. Our General Terms of Use for Downloads are valid (<http://phoenixcontact.com/download>)



Sensor/actuator flush-type plug, 12-pos. with shield contact, M12 SPEEDCON, A-coded, rear/screw mounting with M16 thread, with straight solder connection

## Your advantages

- ✓ Easy PCB assembly: one-piece connectors for wave soldering
- ✓ All standard pin assignments and codings for signal, data, and power transmission with a uniform design-in design
- ✓ SPEEDCON fast locking system reduces cabling times
- ✓ For high transmission reliability: optional shield connection to the housing by means of shield contact



## Key Commercial Data

Packing unit	20 pc
GTIN	
GTIN	4046356534161

## Technical data

### Dimensions

Length of the solder pin	6 mm
--------------------------	------

### Ambient conditions

Ambient temperature (operation)	-25 °C ... 85 °C (Plug / socket)
	-40 °C ... 85 °C (without mechanical actuation)
Degree of protection	IP65/IP67

### General

Note	The electrical and mechanical data specified assume that the connector pair is correctly locked and mounted. If the connector is unlocked and if there is a danger of contamination, the connector must be sealed using a protective cap > IP54. Influences arising from litz wires, cables or PCB assembly must also be taken into consideration.
Rated current at 40°C	1.5 A
Rated voltage	30 V

# Panel feed-through - SACC-DSI-M12MS-12CON-M16 SH - 1441943

## Technical data

### General

Rated surge voltage	0.8 kV
Number of positions	12
Insulation resistance	≥ 100 MΩ
Coding	A - standard
Standards/regulations	M12 connector IEC 61076-2-101
Status display	No
Overvoltage category	II
Degree of pollution	3
Connection method	Solder pins
Insertion/withdrawal cycles	> 100
Torque	3 Nm ... 4 Nm (Installation-side)
Mounting type	Rear mounting M16 x 1.5 With flat nut

### Material

Flammability rating according to UL 94	V0
Contact material	CuZn
Contact surface material	Au
Contact carrier material	PA 6.6
Material, knurls	Zinc die-cast, nickel-plated
Sealing material	FKM

### Cable

Standards/specifications	M12 connector IEC 61076-2-101
Ambient temperature (operation)	-40 °C ... 85 °C (cable, fixed installation)
	-25 °C ... 85 °C (cable, flexible installation)

### Standards and Regulations

Standard designation	M12 connector
Standards/regulations	IEC 61076-2-101
Flammability rating according to UL 94	V0

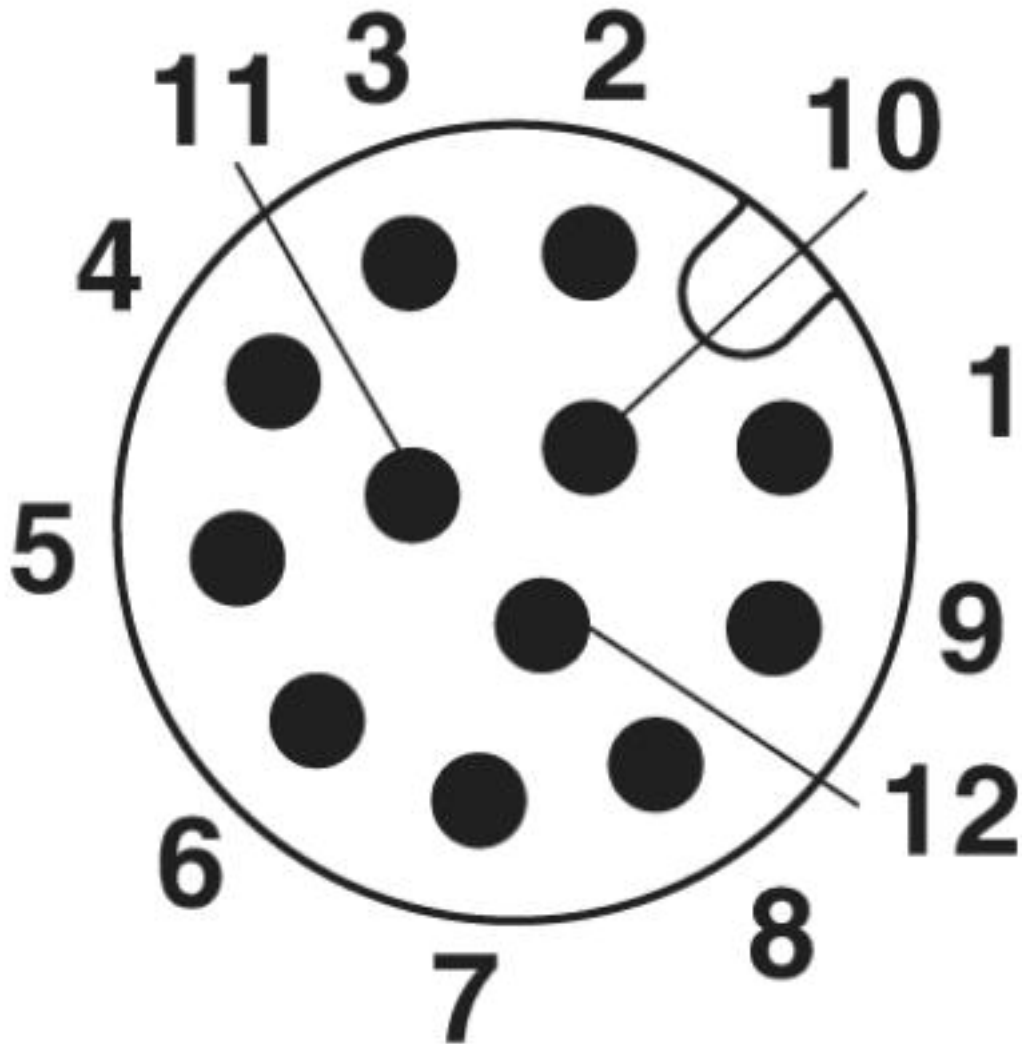
### Environmental Product Compliance

	Lead 7439-92-1
China RoHS	Environmentally Friendly Use Period = 50
	For details about hazardous substances go to tab "Downloads", Category "Manufacturer's declaration"

## Drawings

# Panel feed-through - SACC-DSI-M12MS-12CON-M16 SH - 1441943

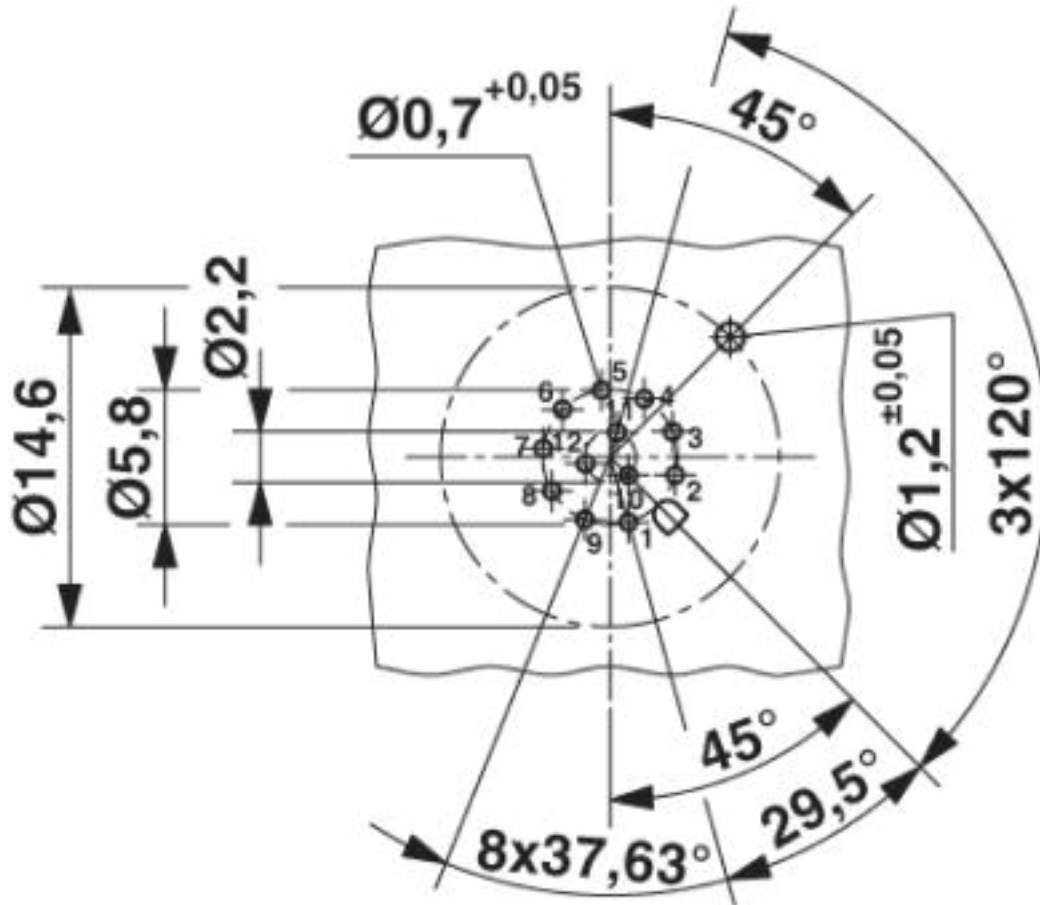
Schematic diagram



Pin assignment M12 male connector, 12-pos., male side view

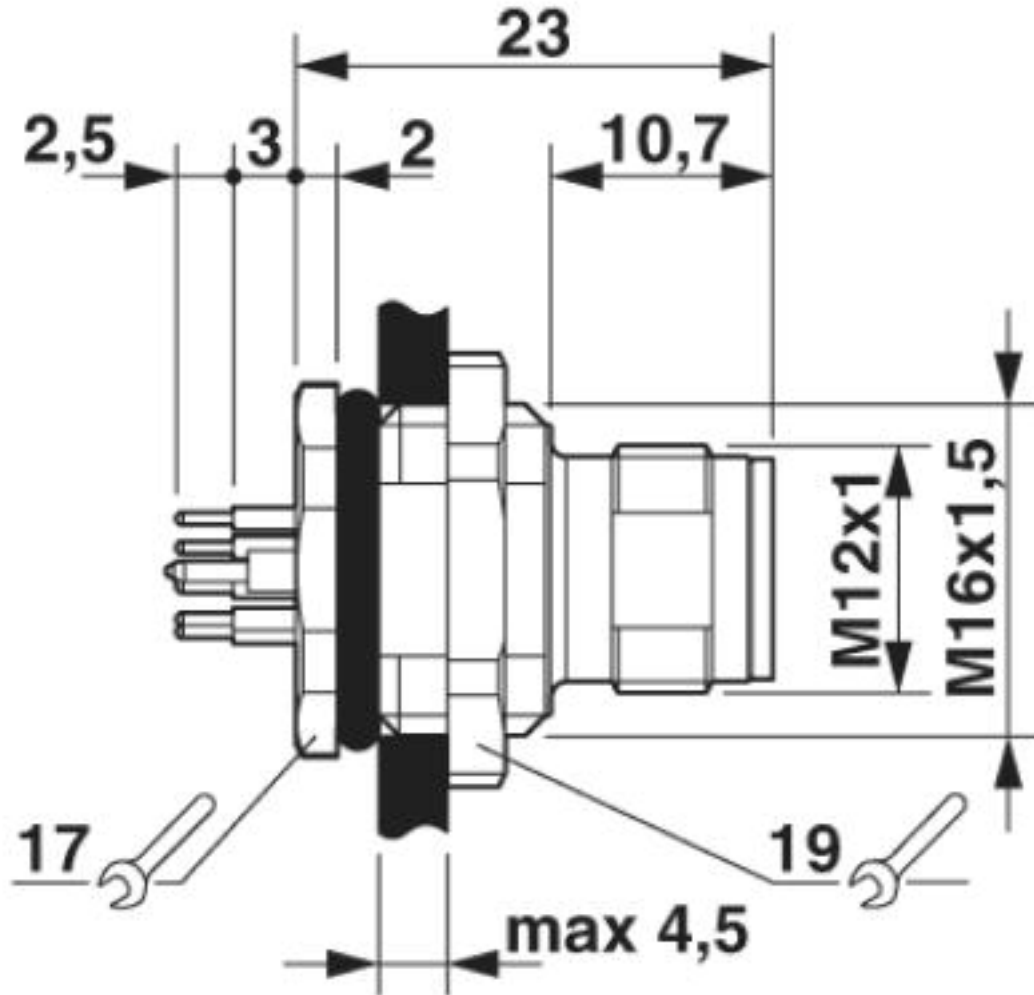
# Panel feed-through - SACC-DSI-M12MS-12CON-M16 SH - 1441943

Drilling diagram



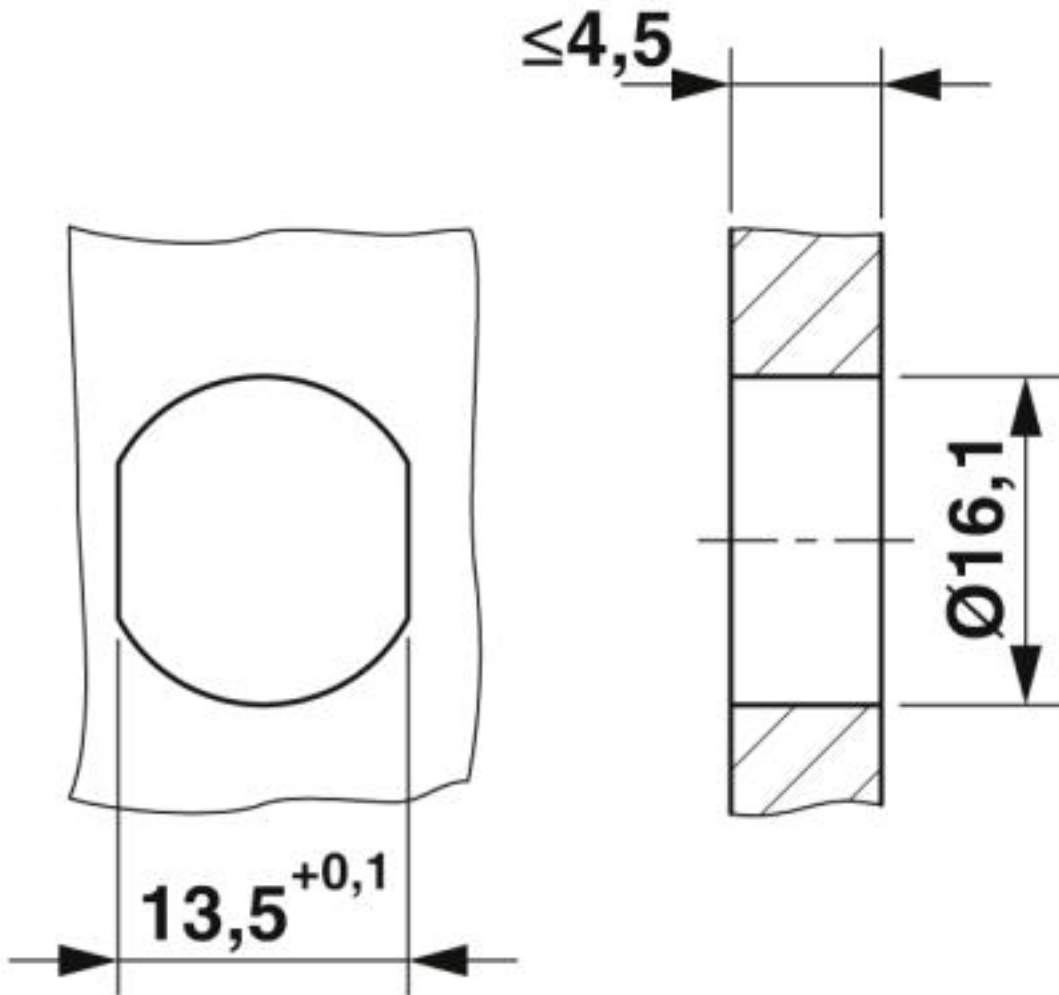
# Panel feed-through - SACC-DSI-M12MS-12CON-M16 SH - 1441943

Dimensional drawing



# Panel feed-through - SACC-DSI-M12MS-12CON-M16 SH - 1441943

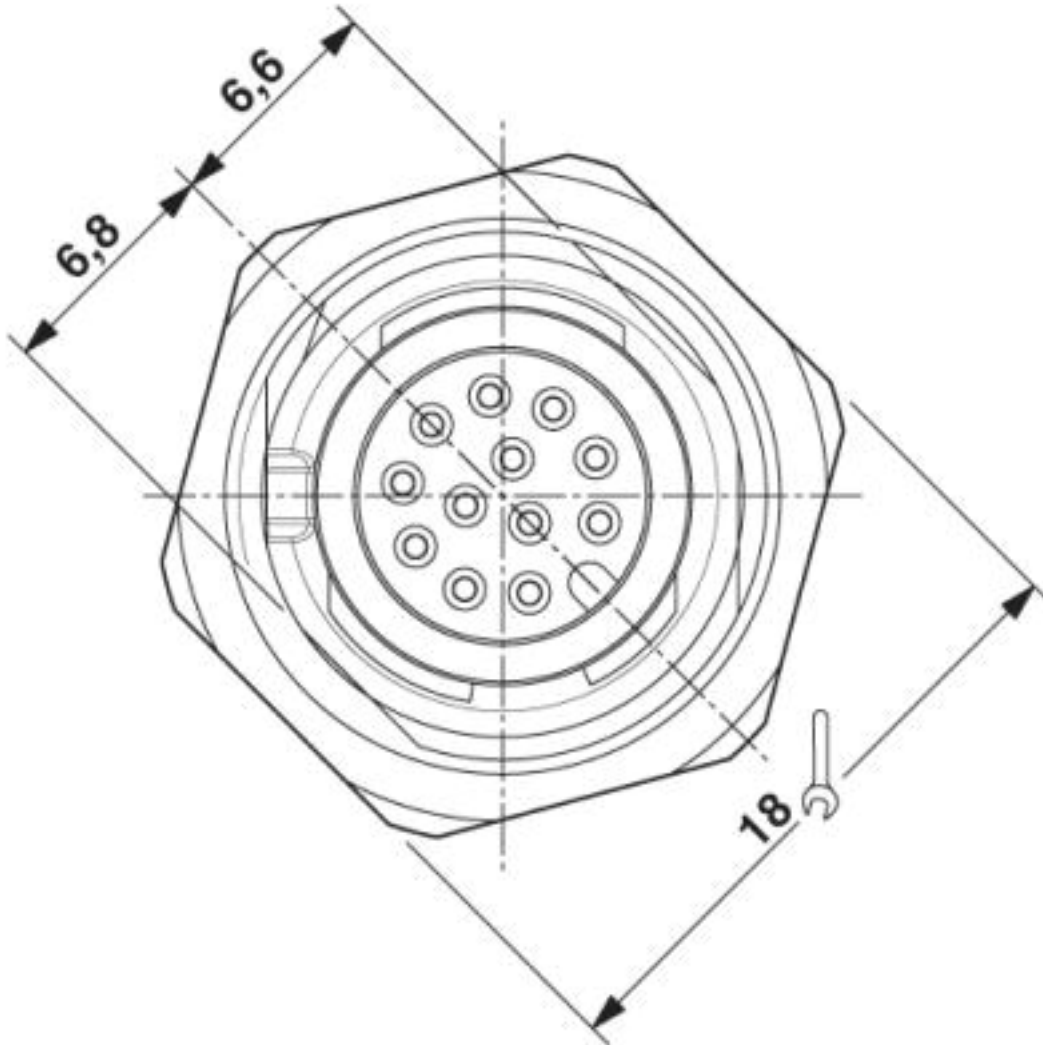
Dimensional drawing



Housing cutout for M16 fastening thread, mounting panel with feed-through hole (alternatively with area as anti-rotation protection for panel thicknesses > 2 mm up to max. 4.5 mm)

# Panel feed-through - SACC-DSI-M12MS-12CON-M16 SH - 1441943

Dimensional drawing



M12 front view

Approvals

Approvals

---

Approvals

EAC / cULus Recognized

---


Ex Approvals


---

Approval details

# Panel feed-through - SACC-DSI-M12MS-12CON-M16 SH - 1441943

## Approvals

EAC		B.01742
-----	---	---------

cULus Recognized		<a href="http://database.ul.com/cgi-bin/XYV/template/LISEXT/1FRAME/index.htm">http://database.ul.com/cgi-bin/XYV/template/LISEXT/1FRAME/index.htm</a> E221474-20140616
Nominal voltage UN	30 V	
Nominal current IN	1.5 A	
mm <sup>2</sup> /AWG/kcmil	26	

Phoenix Contact 2019 © - all rights reserved  
<http://www.phoenixcontact.com>

PHOENIX CONTACT GmbH & Co. KG  
Flachsmarktstr. 8  
32825 Blomberg  
Germany  
Tel. +49 5235 300  
Fax +49 5235 3 41200  
<http://www.phoenixcontact.com>