

## Crimp contact - SF-7MS2000 - 1605628

Please be informed that the data shown in this PDF Document is generated from our Online Catalog. Please find the complete data in the user's documentation. Our General Terms of Use for Downloads are valid (<http://phoenixcontact.com/download>)



Crimp contact, turned, Single contact, contact diameter: 2 mm, crimp range: 4 mm<sup>2</sup> ... 4 mm<sup>2</sup>

The figure may differ depending on the connection area

### Your advantages

- Crimping connection: vibration- and temperature-resistant assembly
- High tensile strength of the connection
- Low contact resistance
- Easy production monitoring



### Key Commercial Data

Packing unit	50 pc
GTIN	
GTIN	4046356254045

### Technical data

#### General

Contact type	turned
Contact diameter	2 mm
Type of contact	Socket
Connection method	Crimp connection
Insertion/withdrawal cycles mechanical	100
Litz wire cross section min.	4 mm <sup>2</sup>
Litz wire cross section max.	4 mm <sup>2</sup>
Contact material	CuZn
Contact surface	Nickel-plated (Ni), with gold coating (Au)

#### Environmental Product Compliance

REACH SVHC	Lead 7439-92-1
------------	----------------

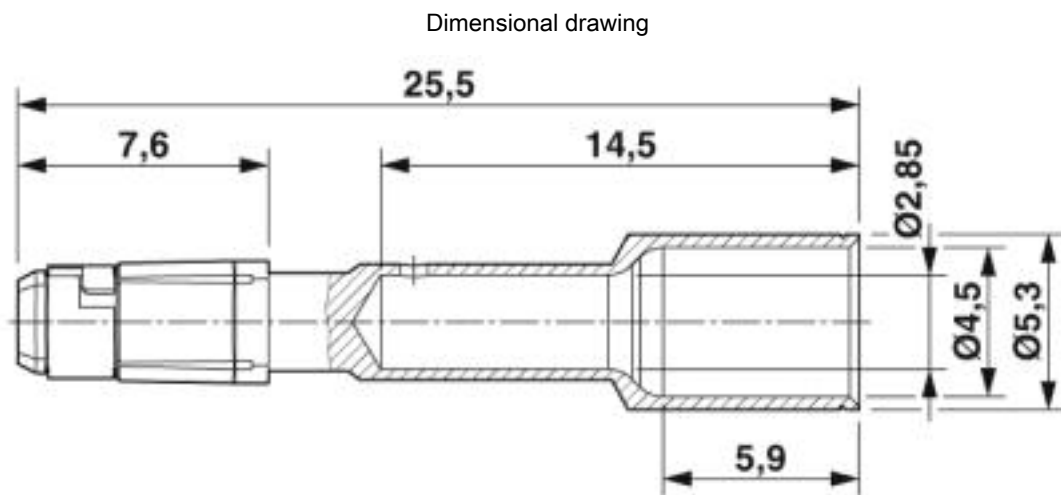
# Crimp contact - SF-7MS2000 - 1605628

## Technical data

### Environmental Product Compliance

China RoHS	Environmentally Friendly Use Period = 50
	For details about hazardous substances go to tab "Downloads", Category "Manufacturer's declaration"

## Drawings



## Approvals

Approvals

---

Approvals

EAC

---

Ex Approvals

### Approval details

EAC	<b>EAC</b>	B.01742
-----	------------	---------

Phoenix Contact 2019 © - all rights reserved  
<http://www.phoenixcontact.com>

PHOENIX CONTACT GmbH & Co. KG  
Flachsmarktstr. 8  
32825 Blomberg  
Germany  
Tel. +49 5235 300  
Fax +49 5235 3 41200  
<http://www.phoenixcontact.com>