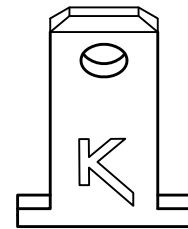
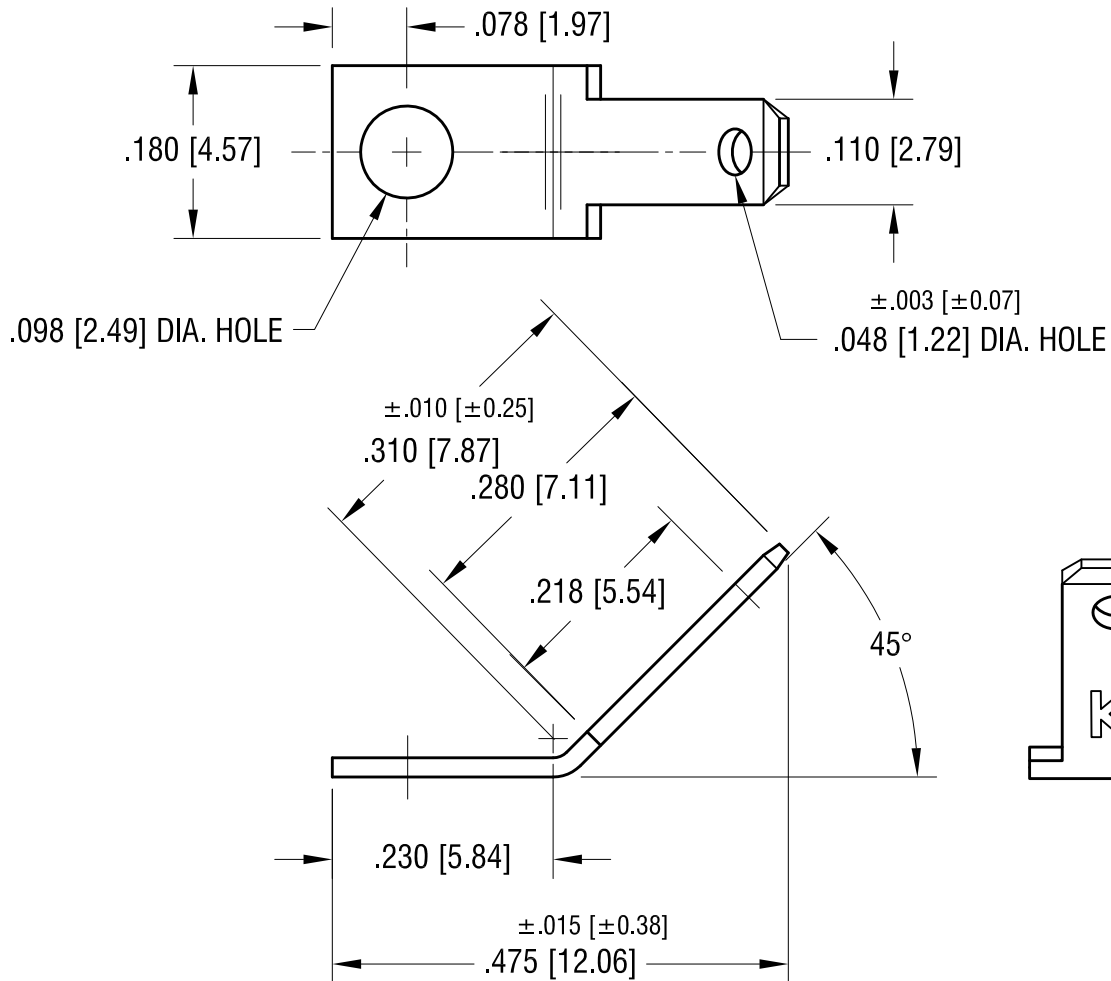


THIS DOCUMENT IS THE PROPERTY OF
KEYSTONE ELECTRONICS CORP. AND
SHALL NOT BE REPRODUCED, DISTRIBUTED
OR USED AS A BASIS FOR MANUFACTURE
WITHOUT PRIOR WRITTEN PERMISSION
FROM KEYSTONE ELECTRONICS CORP.

ACTUAL SIZE



KEY FILE NUMBER: E201546

KEYSTONE ELECTRONICS CORP.

www.keyelco.com • NEW HYDE PARK, NY 11040 • Tel (516) 328-7500

| | | | |
|--|-----------------|-------------------------|---------|
| PART NAME | | .110 QUICK-FIT TERMINAL | |
| MATERIAL | | .020 [0.50] TH'K BRASS | |
| FINISH | | DRN BY | DATE |
| BRIGHT BRASS | | BOONE | 4.15.96 |
| | | APP'D | SCALE |
| | | MR | 5X |
| TOLERANCES | INCH [MM] | CODE | DWG NO. |
| DECIMAL | ± .005 [± 0.13] | C | 2004 |
| ANGULAR ± 1° UNLESS OTHERWISE SPECIFIED | | | |

| | | |
|---------|--------------------------|------|
| 8.23.12 | CHANGE AS PER ECN 12-116 | A |
| DATE | DESCRIPTION | REV. |