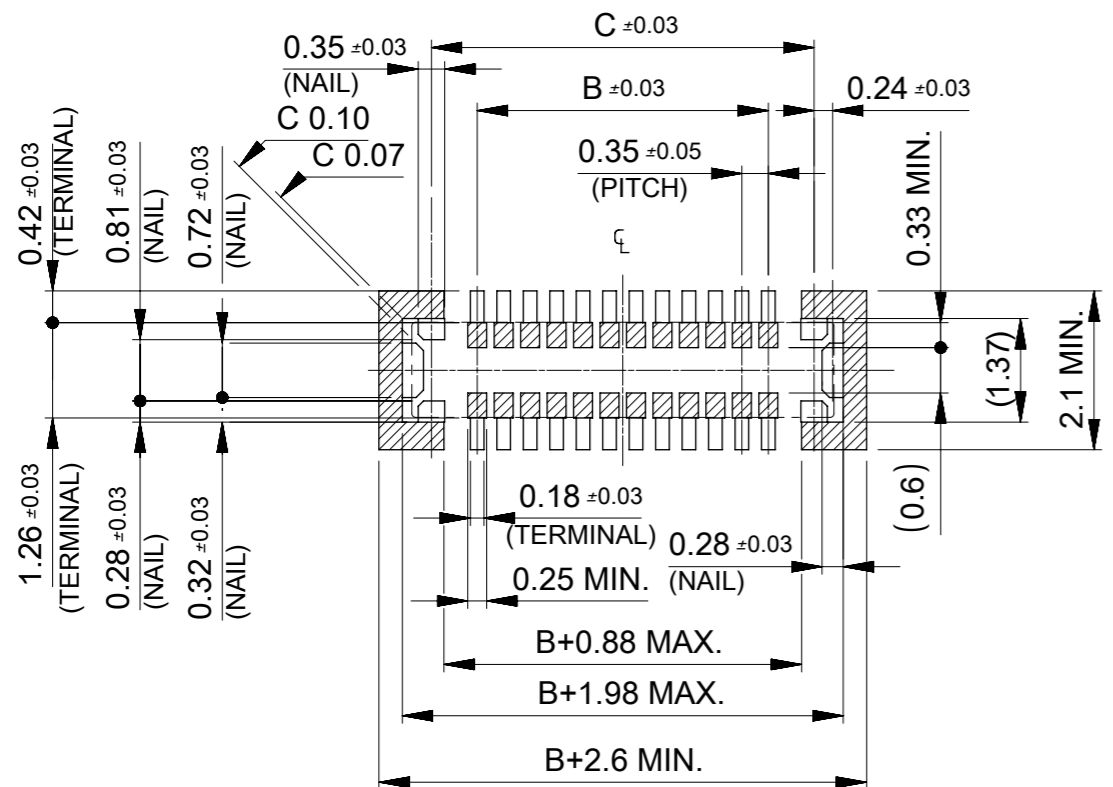


NOTES

- 1 MATERIAL
HOUSING : LIQUID CRYSTAL POLYMER UL-94V-0(COLOR : BLACK)
TERMINAL : COPPER ALLOY
FITTING NAIL : COPPER ALLOY
- 2 PLATING
TERMINAL: CONTACT AREA: SEPARATED GOLD PLATING (0.1 MICROMETER MINIMUM).
SOLDER TAIL AREA: SEPARATED GOLD PLATING.
UNDER PLATING : NICKEL OVERALL.
*DIVIDE INTO PARTS THE GOLD PLATING OF THE CONTACT AND THE TAIL PART BY THE NICKEL PLATING.
FITTING NAIL: CONTACT AREA: SEPARATED GOLD PLATING (0.1 MICROMETER MINIMUM).
SOLDER TAIL AREA: SEPARATED GOLD PLATING.
UNDER PLATING : NICKEL OVERALL.
*DIVIDE INTO PARTS THE GOLD PLATING OF THE CONTACT AND THE TAIL PART BY THE NICKEL PLATING.
*EVEN THOUGH GOLD PLATING ON THE TOP SURFACE OF NAIL MIGHT BE THIN, NO FUNCTIONAL PROBLEM.
- △ APPLY FOR (CIRCUIT/2)=EVEN
- 4 MATE WITH : 2068060**2
- 5 TAIL AND FITTING NAIL COPLANARITY TO BE 0.08MAXIMUM.

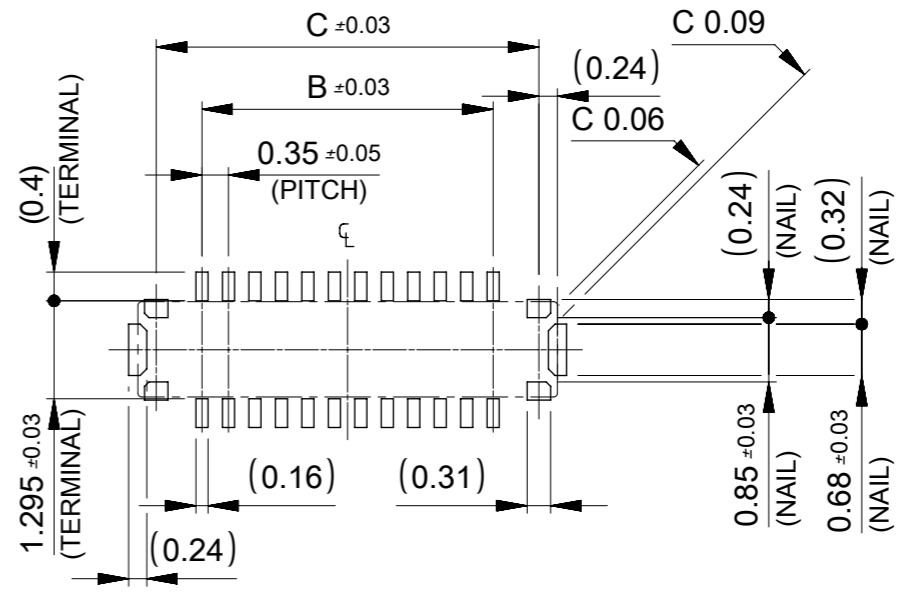
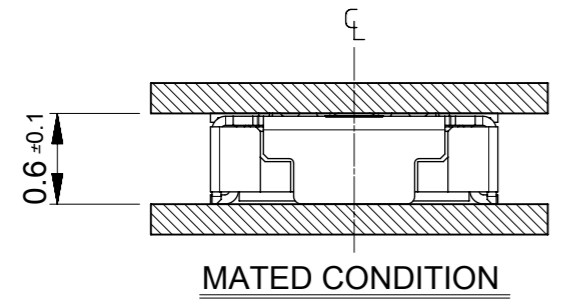
1.91	0.70	2.48	2068070062	○	---	6
C	B	A	EMBOSSSED TAPE PACKAGE	HIGH VOL. TOOL	LOW VOL. TOOL	CIRCUIT
			ORDER No.	SAMPLE PREPARATION ○:TOOLED △:WORK IN PROCESS ---:TOOLING TO BE CONFIRMED		
			CONNECTOR SERIES No. : 2068071**1			

SYMBOLS		THIS DRAWING CONTAINS INFORMATION THAT IS PROPRIETARY TO MOLEX ELECTRONIC TECHNOLOGIES, LLC AND SHOULD NOT BE USED WITHOUT WRITTEN PERMISSION		CURRENT REV DESC: RELEASED		molex	
▽ = 0	mm	SCALE	10:1				
▽ = 0	GENERAL TOLERANCES (UNLESS SPECIFIED)						0.35 BB CONN. H=0.6 ICB6 PLUG ASSY
▽ = 0	ANGULAR TOL	± 3.0 °					
▽ = 0	4 PLACES	± 0.03	EC NO: 618378				
▽ = 0	3 PLACES	± 0.03	DRWN: TNISHIDA02	2019/05/23			
▽ = 0	2 PLACES	± 0.05	CHK'D: KTANAKA03	2019/06/03			
▽ = 0	1 PLACE	± 0.1	APPR: RTAKEUCHI	2019/06/03			
▽ = 0	0 PLACES	± 0.2	INITIAL REVISION:				PRODUCT CUSTOMER DRAWING
□ = 0	DRAFT WHERE APPLICABLE MUST REMAIN WITHIN DIMENSIONS		THIRD ANGLE PROJECTION	DRAWING	SERIES	MATERIAL NUMBER	CUSTOMER
▽ = 0			⊕	A3-SIZE	206807	2068071000-SD	GENERAL
						DOCUMENT NUMBER	DOC TYPE
						2068071000-SD	PSD
						000	REVISION
						A	
						SHEET NUMBER	
						1 OF 2	



RECOMMENDED P.W.BOARD PATTERN LAYOUT (REFERENCE)

SOLDERING PROHIBITED AREA.
WHEN WIRING IS LOCATED,
THE WIRING MUST BE MASKED BY COVER LAY OR RESIST FILM.



RECOMMENDED METAL MASK LAYOUT (REFERENCE)
RECOMMENDED THICKNESS OF METAL MASK : t=0.08mm
RECOMMENDED OPEN APERTURE RATIO OF METAL MASK : 80%

SYMBOLS	THIS DRAWING CONTAINS INFORMATION THAT IS PROPRIETARY TO MOLEX ELECTRONIC TECHNOLOGIES, LLC AND SHOULD NOT BE USED WITHOUT WRITTEN PERMISSION		CURRENT REV DESC: RELEASED			molex		
	DIMENSION UNITS	SCALE						
▽ = 0	mm	10:1	EC NO: 618378			PRODUCT CUSTOMER DRAWING		
▽ = 0	GENERAL TOLERANCES (UNLESS SPECIFIED)		DRWN: TNISHIDA02 2019/05/23			DOCUMENT NUMBER		
▽ = 0	ANGULAR TOL ± 3.0°		CHK'D: KTANAKA03 2019/06/03			DOC TYPE DOC PART REVISION		
▽ = 0	4 PLACES ± 0.03		APPR: RTAKEUCHI 2019/06/03			2068071000-SD PSD 000 A		
▽ = 0	3 PLACES ± 0.03		INITIAL REVISION:			MATERIAL NUMBER CUSTOMER SHEET NUMBER		
▽ = 0	2 PLACES ± 0.05		DRWN: TTANIGUCHI01 2018/11/01			SEE CHART GENERAL 2 OF 2		
▽ = 0	1 PLACE ± 0.1		APPR: RTAKEUCHI 2019/06/03					
▽ = 0	0 PLACES ± 0.2		THIRD ANGLE PROJECTION					
□ = 0	DRAFT WHERE APPLICABLE MUST REMAIN WITHIN DIMENSIONS		DRAWING		SERIES			
▽ = 0			A3-SIZE		206807			