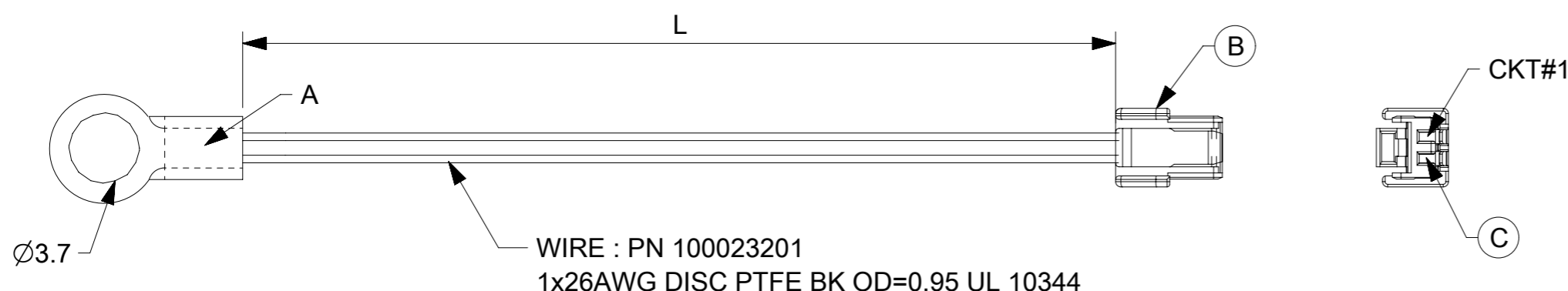


BILL OF MATERIALS:

ITEM	PN	DESCRIPTION	QTY	UOM
A	NTC PROBE (Refer Sheet 2)	NTC Thermistor Ring Terminal	1	PC
B	5055650201	1.25WTB SINGLE REC HSG 2CKT BLACK	1	PC
C	5054311000	1.25 ROBUST W/B CRIMP TERM.	2	PC

CIRCUIT ORIENTATION CHART:

FROM	TO	WIRE P/N	DESCRIPTION	COLOR
A	B1	NTC PROBE (Refer Sheet 2)	NTC Thermistor Ring Terminal	BLACK
	B2			BLACK



NOTES:

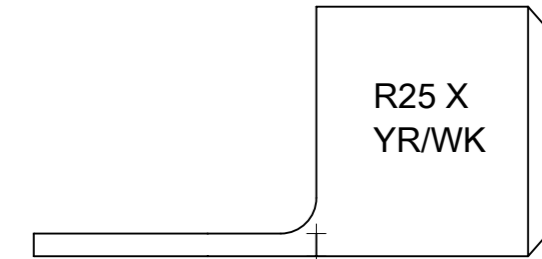
1. RESISTANCE TO BE TESTED 100% AT 25°C
2. RESISTANCE TOLERANCE @ 25°C : SEE CHART (SHEET 2).
3. B-VALUE(25/85°C) : SEE CHART (SHEET 2)
4. OPERATING TEMPERATURE RANGE : -40°C TO +105°C.
5. RING TERMINAL MOUNTING HOLE DIAMETER : 3.7MM.
6. TERMINAL MUST BE NICKEL PLATED COPPER.
7. VOLTAGE BREAKDOWN STRENGTH : MIN 1500VAC FOR 3SEC BETWEEN CONDUCTOR AND EYELET/RING LUG
8. RESPONCE TIME : APPROX 5 SECOND IN WATER
- 9.INSULATION RESISTANCE :MINIMUM OF 100MOHM @ 500VOLTS DC IN METALIC BALLS.

SYMBOLS		THIS DRAWING CONTAINS INFORMATION THAT IS PROPRIETARY TO MOLEX ELECTRONIC TECHNOLOGIES, LLC AND SHOULD NOT BE USED WITHOUT WRITTEN PERMISSION		CURRENT REV DESC:		molex	
▽ = 0	mm	SCALE	NTS	EC NO: 658390			
▽ = 0	GENERAL TOLERANCES (UNLESS SPECIFIED)		DRWN: RAVIKM		2021/03/17	PRODUCT CUSTOMER DRAWING	
▽ = 0	ANGULAR TOL ± °		CHK'D: RBBHASKAR		2021/03/17	DOCUMENT NUMBER	
▽ = 0	4 PLACES	±	APPR: RBBHASKAR		2021/03/17	2138601633	
▽ = 0	3 PLACES	±	INITIAL REVISION:		DOC TYPE		DOC PART
▽ = 0	2 PLACES	±	DRWN: MSHAJI01		2020/01/06	PSD	000
▽ = 0	1 PLACE	±	APPR: RBBHASKAR		2020/02/28	A4	REVISION
▽ = 0	0 PLACES	±	DRAFT WHERE APPLICABLE MUST REMAIN WITHIN DIMENSIONS		MATERIAL NUMBER		CUSTOMER
▽ = 0	THIRD ANGLE PROJECTION		DRAWING	SERIES	213860	SEE SPEC TABLE	GENERAL MARKET
▽ = 0	A3-SIZE		SHEET NUMBER		1 OF 2		

SPECIFICATION:

PART NO	NTC PROBE PN	RESISTANCE AT 25°C (KΩ)	RESISTANCE TOLERANCE (±%)	B VALUE (25/85°C)	B VALUE TOLERANCE (±%)	WIRE LENGTH (L)MM
2138601633	369040876	10K	1	3500	1	75mm
2138602633	369040877	10K	2	3500	1	75mm
2138601635	369040878	10K	1	3500	1	150mm
2138602635	369040879	10K	2	3500	1	150mm
2138601637	369040880	10K	1	3500	1	300mm
2138602637	369040881	10K	2	3500	1	300mm
2138621633	369040882	10K	1	3800	1	75mm
2138622633	369040883	10K	2	3800	1	75mm
2138621635	369040884	10K	1	3800	1	150mm
2138622635	369040885	10K	2	3800	1	150mm
2138621637	369040886	10K	1	3800	1	300mm
2138622637	369040887	10K	2	3800	1	300mm
2138641633	369040888	10K	1	3964	1	75mm
2138642633	369040889	10K	2	3964	1	75mm
2138641635	369040890	10K	1	3964	1	150mm
2138642635	369040891	10K	2	3964	1	150mm
2138641637	369040892	10K	1	3964	1	300mm
2138642637	369040893	10K	2	3964	1	300mm
2138652133	369040894	1K	2	3982	1	75mm
2138652233	369040895	2.25K	2	3982	1	75mm
2138652333	369040896	3K	2	3982	1	75mm
2138652433	369050072	4.7K	2	3982	1	75mm
2138652533	369050073	5K	2	3982	1	75mm
2138651633	369050074	10K	1	3982	2	75mm
2138652633	369050075	10K	2	3982	2	75mm
2138652733	369050076	12K	2	3982	1	75mm
2138652833	369050077	20K	2	3982	1	75mm
2138652933	369050078	30K	2	3982	1	75mm
2138651635	369050079	10K	1	3982	2	150mm
2138652635	369050080	10K	2	3982	2	150mm
2138651637	369050081	10K	1	3982	2	300mm
2138652637	369050082	10K	2	3982	2	300mm
2138652033	369050083	100K	2	4000	2	75mm
2138692933	369040909	47K	2	4050	1	75mm
2138692033	369040910	50K	2	4050	1	75mm

LASER MARKING DETAILS

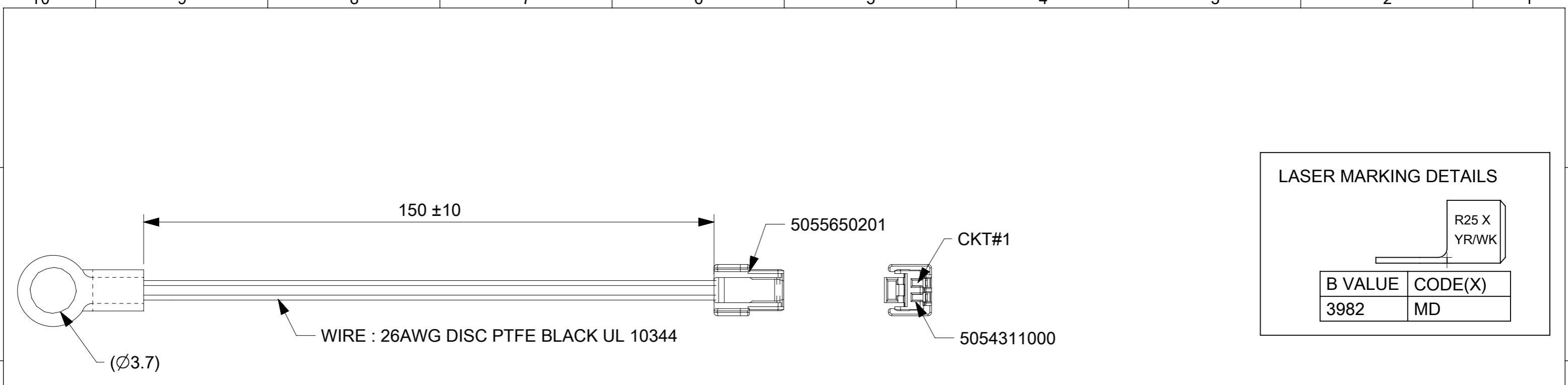


B VALUE	CODE(X)
3500	MA
3800	MB
3964	MC
3982	MD
4050	ME
4000	MH

Finished Length Tolerance

LENGTH	TOLERANCE(MM)
0-75	±5
76-300	±10

SYMBOLS ▽ = 0 ▽ = 0 ▽ = 0 ▽ = 0 ▽ = 0 ▽ = 0 ▽ = 0 ▽ = 0 ▽ = 0 ▽ = 0 ▽ = 0 ▽ = 0	THIS DRAWING CONTAINS INFORMATION THAT IS PROPRIETARY TO MOLEX ELECTRONIC TECHNOLOGIES, LLC AND SHOULD NOT BE USED WITHOUT WRITTEN PERMISSION		DIMENSION UNITS: mm SCALE: NTS		CURRENT REV DESC:			
	GENERAL TOLERANCES (UNLESS SPECIFIED)		EC NO: 658390 DRWN: RAVIKM 2021/03/17 CHK'D: RBBHASKAR 2021/03/17 APPR: RBBHASKAR 2021/03/17		NTC THERMISTOR ASSEMBLY WITH MICRO LOCK			
	ANGULAR TOL ± °		INITIAL REVISION:		PRODUCT CUSTOMER DRAWING		DOCUMENT NUMBER: 2138601633 DOC TYPE: PSD DOC PART: 000 REVISION: A4	
	4 PLACES ± 3 PLACES ± 2 PLACES ± 1 PLACE ± 0 PLACES ±		DRWN: MSHAJI01 2020/01/06 APPR: RBBHASKAR 2020/02/28		DRAFT WHERE APPLICABLE MUST REMAIN WITHIN DIMENSIONS		THIRD ANGLE PROJECTION: DRAWING: A3-SIZE SERIES: 213860 MATERIAL NUMBER: SEE SPEC TABLE CUSTOMER: GENERAL MARKET SHEET NUMBER: 2 OF 2	



LASER MARKING DETAILS	
R25 X YR/WK	
B VALUE	CODE(X)
3982	MD

RESISTANCE VS TEMP CHARACTERISTICS:

Temp(°C)	R min (KΩ)	R nom (KΩ)	R max (KΩ)	Temp(°C)	R min (KΩ)	R nom (KΩ)	R max (KΩ)
-40	276.7	290.5	305.0	50	3.529	3.619	3.711
-35	203.1	212.6	222.5	55	2.920	3.000	3.082
-30	150.7	157.3	164.1	60	2.427	2.498	2.571
-25	113.0	117.5	122.3	65	2.027	2.090	2.155
-20	85.470	88.690	92.000	70	1.700	1.756	1.813
-15	65.210	67.480	69.810	75	1.431	1.481	1.532
-10	50.180	51.790	53.440	80	1.210	1.254	1.300
-5	38.940	40.080	41.250	85	1.028	1.067	1.108
0	30.440	31.260	32.090	90	0.877	0.912	0.948
5	24.020	24.600	25.200	95	0.750	0.782	0.814
10	19.060	19.480	19.910	100	0.645	0.672	0.701
15	15.220	15.520	15.820	105	0.556	0.580	0.606
20	12.210	12.420	12.640	110	0.480	0.502	0.525
25	9.850	10.000	10.150	115	0.417	0.436	0.457
30	7.950	8.088	8.227	120	0.362	0.380	0.399
35	6.447	6.573	6.699	125	0.316	0.332	0.349
40	5.252	5.365	5.479	130	0.270	0.284	0.299
45	4.296	4.397	4.500	135	0.224	0.236	0.249

NOTES:

1. RESISTANCE TOLERANCE @ 25°C : 10KΩ±2%.
3. B-VALUE(25/85°C) : 3982K±1%.
4. OPERATING TEMPERATURE RANGE : -40°C TO +105°C.
5. RING TERMINAL MOUNTING HOLE DIAMETER : 3.7MM.
6. TERMINAL IS NICKEL PLATED COPPER.
7. VOLTAGE BREAKDOWN STRENGTH : MIN 1500VAC FOR 3SEC BETWEEN CONDUCTOR AND EYELET/RING LUG
8. RESPONCE TIME : APPROX 10 SECOND IN LIQUID MEDIUM
- 9.INSULATION RESISTANCE :MINIMUM OF 100MOHM @ 500VOLTS DC IN METALIC BALLS.

FUNCTIONAL SYMBOLS ▽/A = 0 ▽/E = 0 ▽/V = 0	THIS DRAWING CONTAINS INFORMATION THAT IS PROPRIETARY TO MOLEX ELECTRONIC TECHNOLOGIES, LLC AND SHOULD NOT BE USED WITHOUT WRITTEN PERMISSION	CURRENT REV DESC:		molex			
	DIMENSION UNITS: mm	SCALE: NTS	EC NO: 657688				
DIVISIONAL SYMBOLS	GENERAL TOLERANCES (UNLESS SPECIFIED)		DRWN: RAVIKM	2021/03/09	PRODUCT CUSTOMER DRAWING		
	ANGULAR TOL ± °	4 PLACES ±	CHK'D: RBBHASKAR	2021/03/17	DOCUMENT NUMBER		
	3 PLACES ±	2 PLACES ±	APPR: RBBHASKAR	2021/03/17	2138652635	DOC TYPE: PSD	
	1 PLACE ±	0 PLACES ±	INITIAL REVISION:	DRWN: RAVIKM	2021/03/09	DOC PART: 000	
DRAFT WHERE APPLICABLE MUST REMAIN WITHIN DIMENSIONS		THIRD ANGLE PROJECTION	DRAWING: A3-SIZE	SERIES: 213865	MATERIAL NUMBER: 2138652635	CUSTOMER: OTS	
						REVISION: A	
						SHEET NUMBER: 1 OF 1	