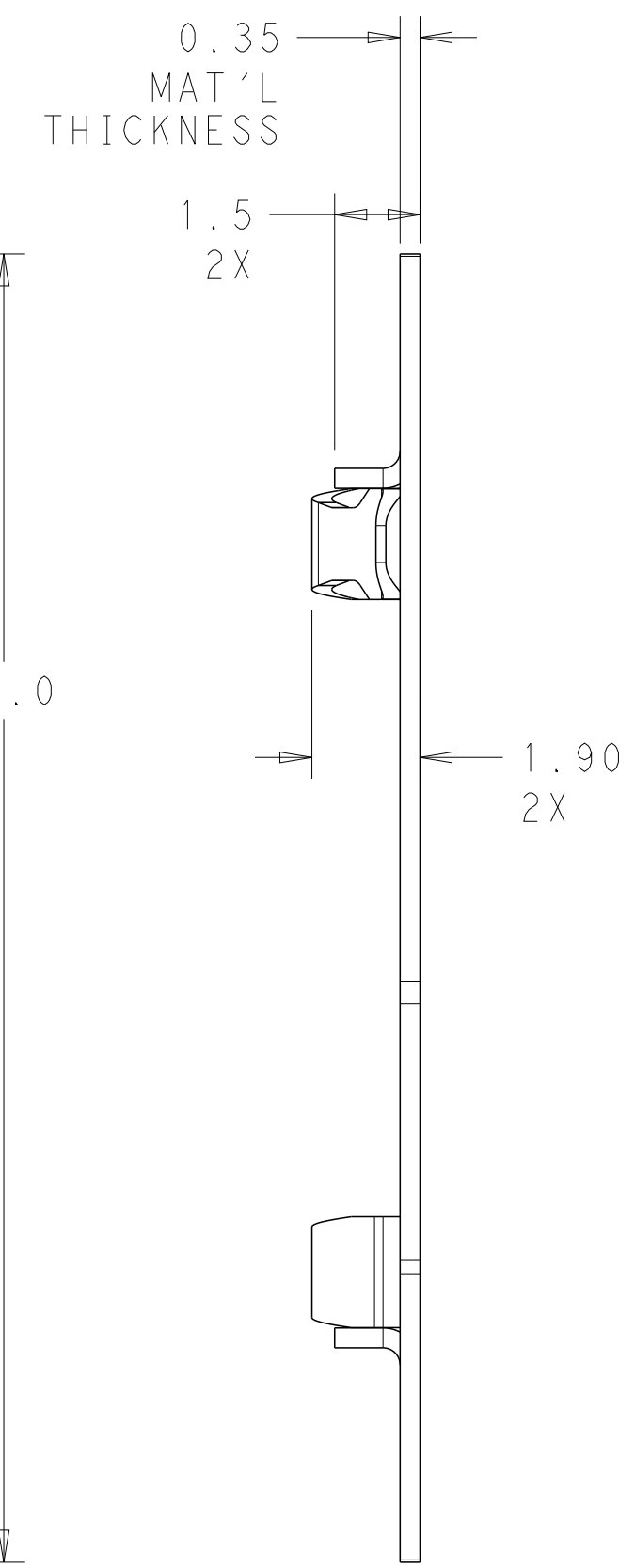
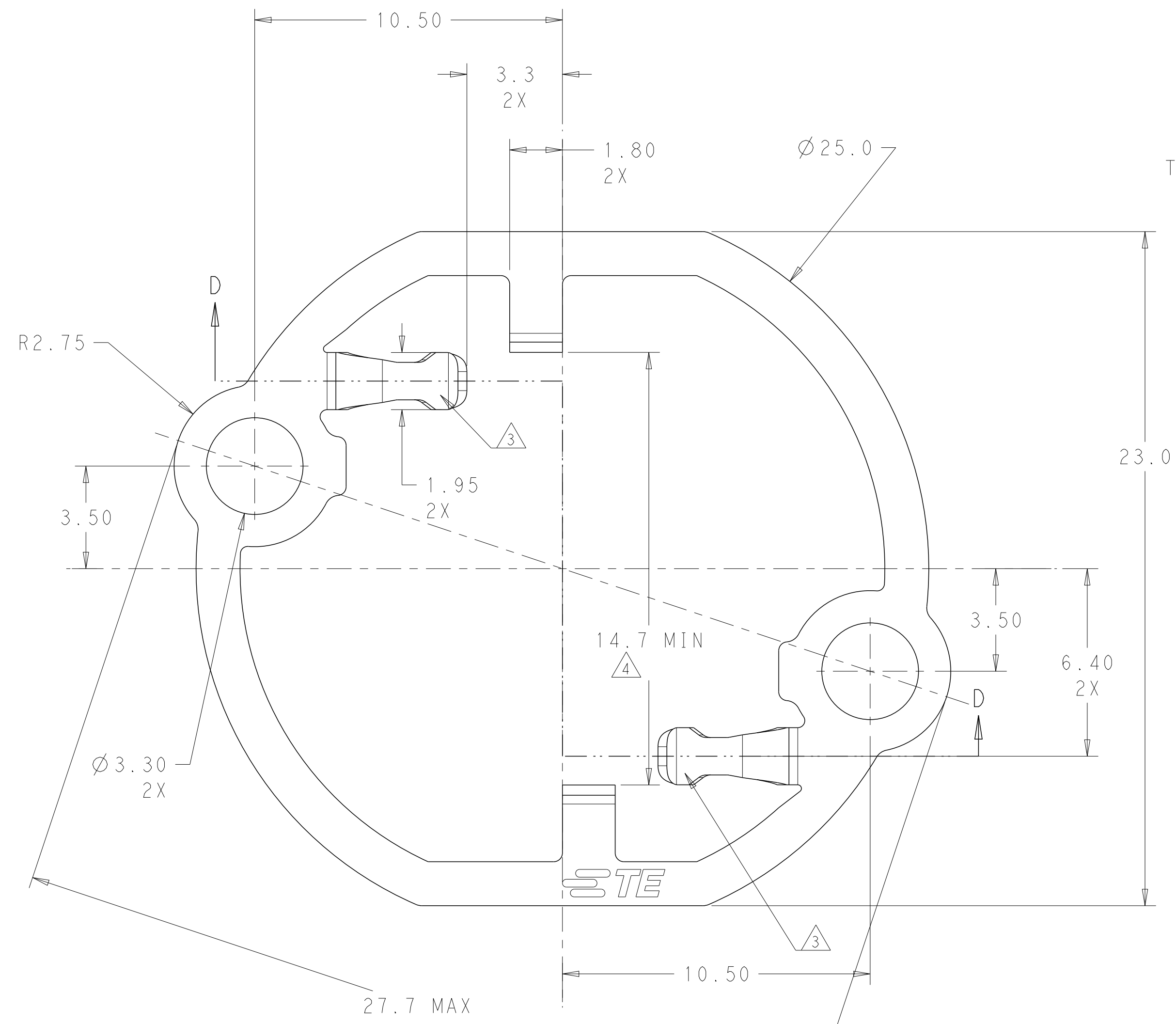
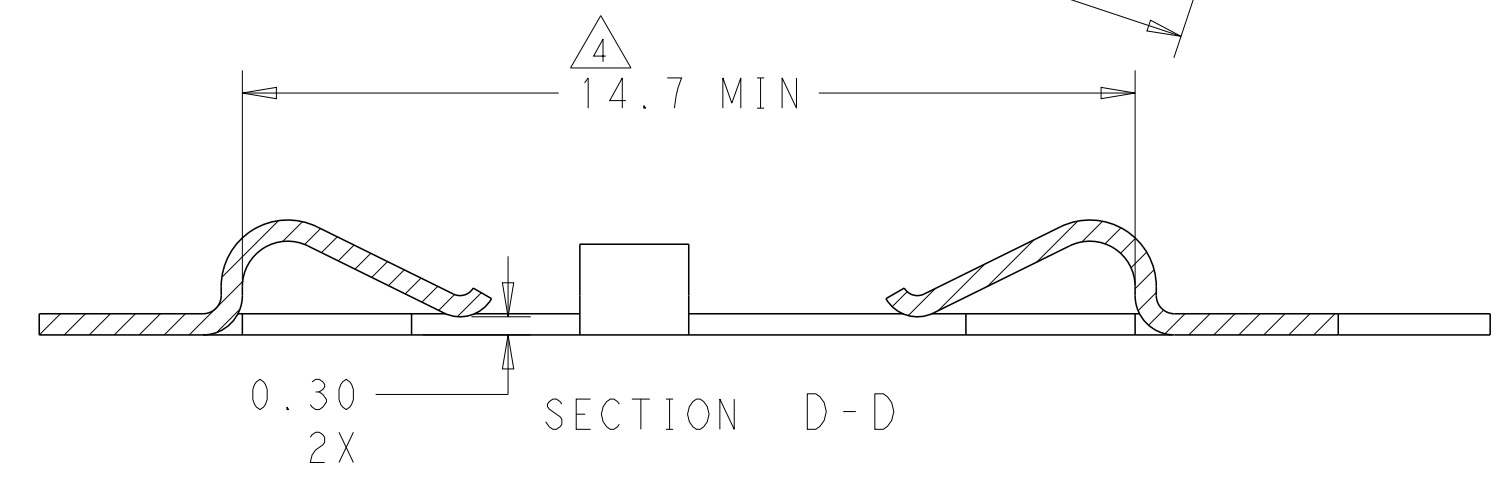


THIS DRAWING IS UNPUBLISHED. RELEASED FOR PUBLICATION 20
 © COPYRIGHT 20 BY - ALL RIGHTS RESERVED.

LOC		DIST		REVISIONS			
P	LTR	DESCRIPTION	DATE	DWN	APVD		
	A	REVISED PER ECO-12-020971	05DEC2012	KH	PO		



- NOTES:
- 1 MATERIAL: STAINLESS STEEL
 - 2. MUST COMPLY WITH DIRECTIVE 2002/95/EC (ROHS)
 - 3 MECHANICAL FORCE APPLIED ON LED SUBSTRATE AT LOCATIONS SHOWN. REFER TO TE SPECIFICATION 108-133002 FOR TYPICAL FORCE VALUES.
 - 4 LOCATES LED SUBSTRATE
 - 5. RECOMENDED SCREW SIZE: M3 OR #4 TORQUE TO 2.5 in-lbf TO 4.0 in-lbf
 - 6. THERMAL SPRING DESIGNED TO INTERFACE WITH PHILIPS LUMILEDS LUXEON H 100V AND 200V ARRAY LEDS



2154821-1
PART NO.

THIS DRAWING IS A CONTROLLED DOCUMENT.		DWN C. DAILY 15FEB2012	TE Connectivity				
DIMENSIONS: mm		CHK M. STOLLER 15FEB2012					
TOLERANCES UNLESS OTHERWISE SPECIFIED:		APVD - 15FEB2012					
0 PLC ± 1 PLC ±0.2 2 PLC ±0.13 3 PLC ± 4 PLC ± ANGLES ±3° FINISH		NAME LED HOLDER TYPE LH	PRODUCT SPEC 108-133002	SIZE A200779	CAGE CODE C-2154821	DRAWING NO -	RESTRICTED TO -
MATERIAL 1		APPLICATION SPEC 114-32042	WEIGHT -	SCALE 8:1	SHEET 1	OF 1	REV A
Customer Drawing							