

**PLEASE CHECK WWW.MOLEX.COM FOR LATEST PART INFORMATION**

**Part Number:** [5013290222](#)  
**Status:** **Active**  
**Overview:** Inertia Lock Wire-to-Wire System  
**Description:** 3.30mm Pitch Wire-to-Wire Inertia Lock Plug Housing, Single Row, 2 Circuits, Red

**Documents:**

[3D Model](#) [Product Specification PS-501328-001 \(PDF\)](#)  
[Drawing \(PDF\)](#) [RoHS Certificate of Compliance \(PDF\)](#)

**General**

Product Family Crimp Housings  
 Series [501329](#)  
 Application Signal, Wire-to-Wire  
 Overview Inertia Lock Wire-to-Wire System  
 Product Name Inertia Lock  
 UPC 822348797042

**Physical**

Circuits (maximum) 2  
 Color - Resin Red  
 Gender Male  
 Glow-Wire Compliant No  
 Lock to Mating Part Yes  
 Material - Resin Nylon  
 Net Weight 1060.000/mg  
 Number of Rows 1  
 Packaging Type Bag  
 Panel Mount No  
 Pitch - Mating Interface 3.30mm  
 Polarized to Mating Part Yes  
 Stackable No  
 Temperature Range - Operating -25°C to +80°C

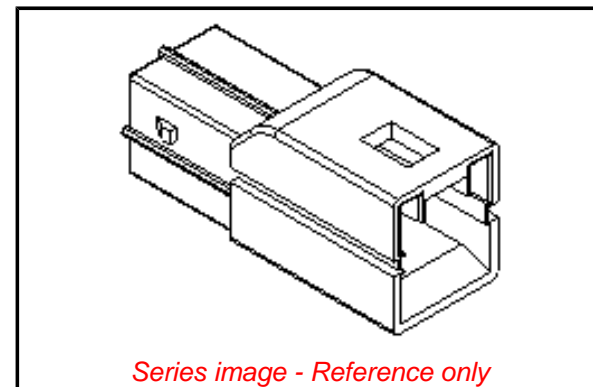
**Electrical**

Current - Maximum per Contact 4.0A

**Material Info**

**Reference - Drawing Numbers**

Product Specification PS-501328-001, RPS-501328-001, RPS-501328-002, RPS-501328-003  
 Sales Drawing SD-501329-001



**EU ELV**

**Not Relevant**

**EU RoHS**

**Compliant**

**REACH SVHC**

Not Contained Per - ED/21/2016 (20 June 2016)

**Halogen-Free**

**Status**

**Low-Halogen**

**Need more information on product environmental compliance?**

Email [productcompliance@molex.com](mailto:productcompliance@molex.com)  
 Please visit the [Contact Us](#) section for any non-product compliance questions.

China ROHS  
ELV

Green Image  
Not Relevant

**Search Parts in this Series**

[501329](#) Series

**Mates With**

[501328-0222](#) Receptacle Housing . [501395](#) Receptacle Terminal for 18-20 AWG.  
[500989](#) Receptacle Terminal for 22-26 AWG

**Use With**

[51348-0213](#) Retainer . [56265](#) Plug Terminal for 18-20 AWG. [56279](#) Plug Terminal for 22-26 AWG