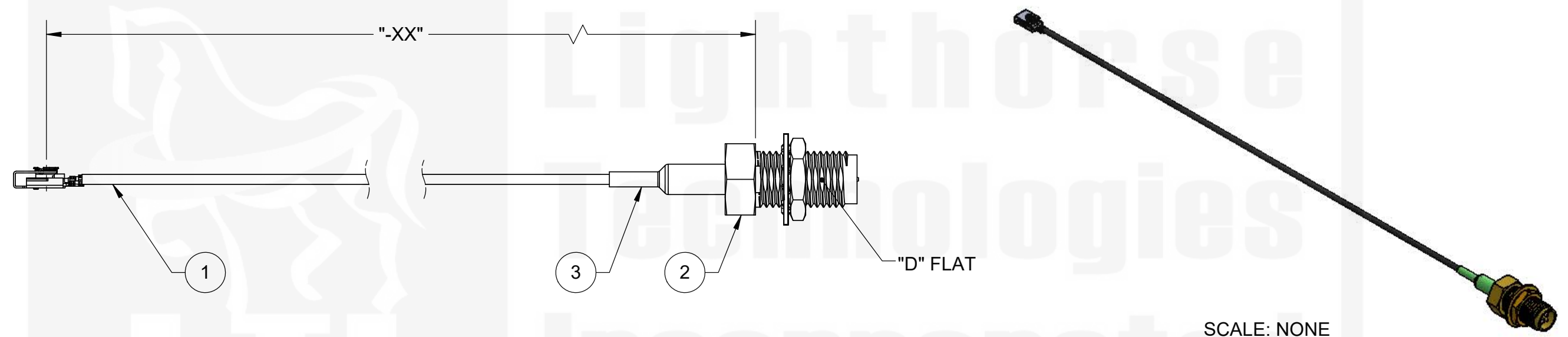


REVISIONS				
REV	ECR	DESCRIPTION	DRAWN	DATE
1		ENGINEERING RELEASE	P. BURDGE	10/29/2020

-XX IN THE ENDING OF THE CABLE PART NUMBER IS CALLING OUT THE LENGTH OF THE ASSEMBLY FROM CENTER TO MATING FLANGE OF CONNECTORS. EXAMPLES SHOWN BELOW:


LTI P/N: CB1.13-IPXLK-SARF3GT-6IN (6 INCHES)
 CB1.13-IPXLK-SARF3GT-10IN (10 INCHES)



SCALE: NONE

ITEM	PART NUMBER	DESCRIPTION	QTY
1	IPXLK-113	IPX (MHF1), LOCKING, 1.13MM COAX	1
2	SASRF13RGT-316	SMA, REV POL JACK, BLKHD, CABLE CRIMP	1
3	1635F-1/8"	.125 (1/8) DIA, .75 LENGTH, GREEN	1

IPX® AND MHF® ARE REGISTERED TRADEMARKS OF I-PEX CO., LTD. CORPORATION

DO NOT SCALE DRAWING		 Lighthouse Technologies San Diego, CA WWW.RFCONNECTOR.COM	
TOLERANCES UNLESS OTHERWISE SPECIFIED			
DIMENSIONS ARE IN MILLIMETERS X = ±0.5 X.X = ±0.25 X.XX = ±0.13 ANGLE = ±30'		TITLE: CABLE ASSEMBLY, I-PEX LOCKING, (MHF1) R/A JACK, CRIMP TO RP SMA, JACK, REAR BULKHEAD MNT, 1.13MM COAX	
THIRD ANGLE PROJECTION		CUSTOMER APPROVAL	
SIGN / DATE:		SIZE	PART/DWG. NO:
ENG APPR.		B	CB1.13-IPXLK-SARF3GT-xxIN
CHECKED		SCALE: 2:1	FILE NAME
DRAWN	P. BURDGE	10/29/2020	REV
	NAME	DATE	1
		SHEET 1 OF 1	

PROPRIETARY AND CONFIDENTIAL
 UNLESS OTHERWISE SPECIFIED: THIS DOCUMENT CONTAINS LIGHORSE TECHNOLOGIES INFORMATION. REPRODUCTION, USE, DISCLOSURE OR TRANSMITTAL OF ALL OR ANY PART OF THIS DOCUMENT IS PROHIBITED EXCEPT TO THE EXTENT APPROVED IN WRITING BY AN AUTHORIZED REPRESENTATIVE OF LIGHORSE TECHNOLOGIES. LIGHORSE TECHNOLOGIES RESERVES ALL RIGHTS UNDER PATENTS, TRADEMARKS, COPY RIGHTS AND TRADE SECRETS. COPY RIGHTS OF LIGHORSE TECHNOLOGIES 2011, ALL RIGHTS RESERVED.

