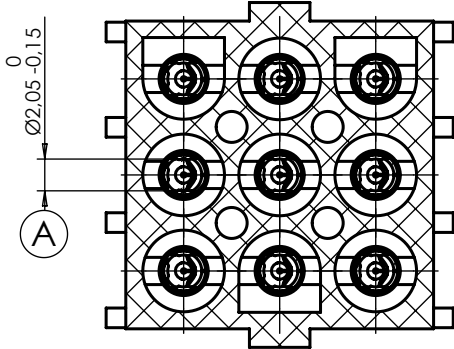
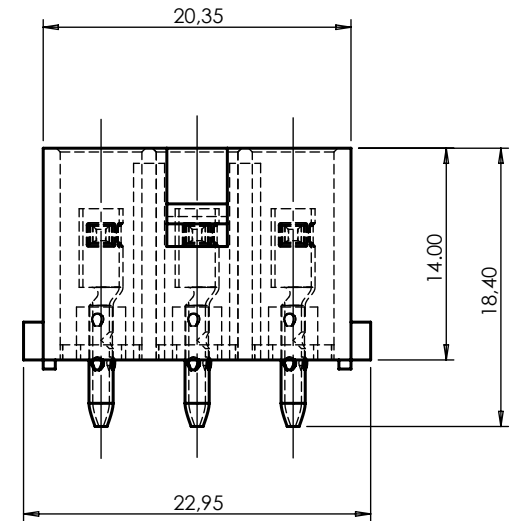
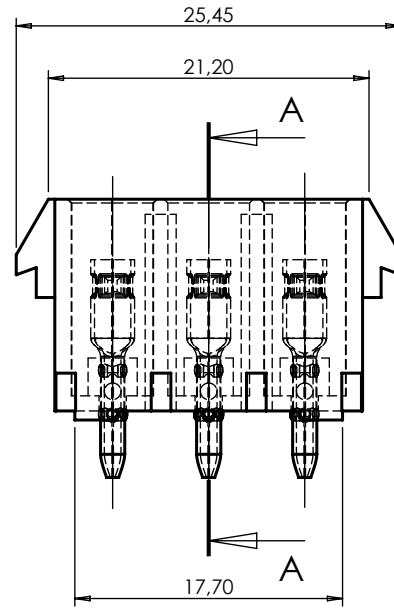
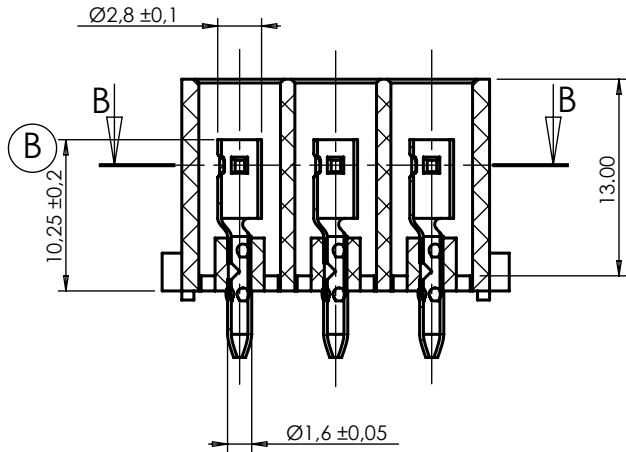
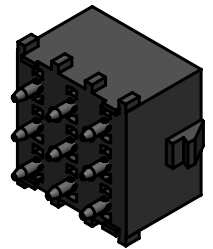
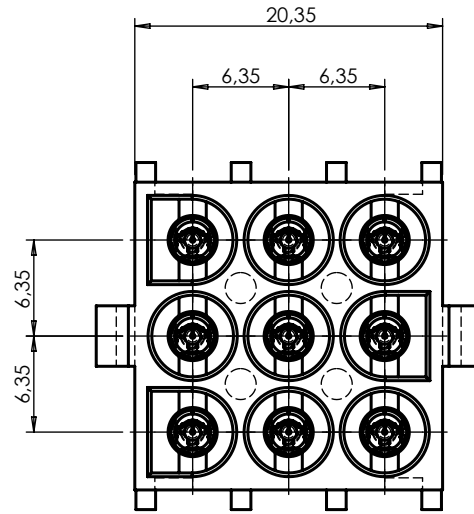


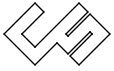
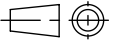
SEZIONE A-A



SEZIONE B-B



DIMENSIONS WITHOUT TOLERANCES				CS-LK09PCB/F	PA66 UL94 V-2
A ±2°	0 - 6	±0.1	CS-LK09PCB/FV0	PA6/66 UL94 V-0	
	6 - 30	±0.2	CS-LK09PCB/FSTY	PA46 UL94 V-2	
	> 30	±0.3	CS-LK09PCB/FV0750NF	PA66 UL94 V-0 GWIT 775	
			CS-LK09PCB/F-G	PA6 UL94 V-2 GWIT 775	
			PART NUMBER	MATERIAL	

1	Aggiornato cartiglio e aggiunto quote A e B		26-06-2019
INDEX	MODIFICATION		DATE
 <b>CS S.r.l.</b> 20063 CERNUSCO S/N - VIA COMO, 11 TEL +39.02.9210.7404 - FAX +39.02.9210.0217 http://www.csconnectors.com - e-mail: info@csconnectors.com			
CHECKED BY		DATE	DESIGN UNITS
Stefano Galimberti		26-06-2019	METRIC
DRAWN BY		DATE	WEIGHT (g)
Luca Viscardi		26-06-2019	3.57
CAD REFER		SIZE	SCALE
Y:\dis\cs\lk\09vie\pcb\		A4	2:1
INDEX 0		DATE	
07-03-2002			
BASE CODE	DESCRIPTION		
CS-LK09PCB/F	Giunto 9 vie per scheda circuito stampato term. femmina serie LK		