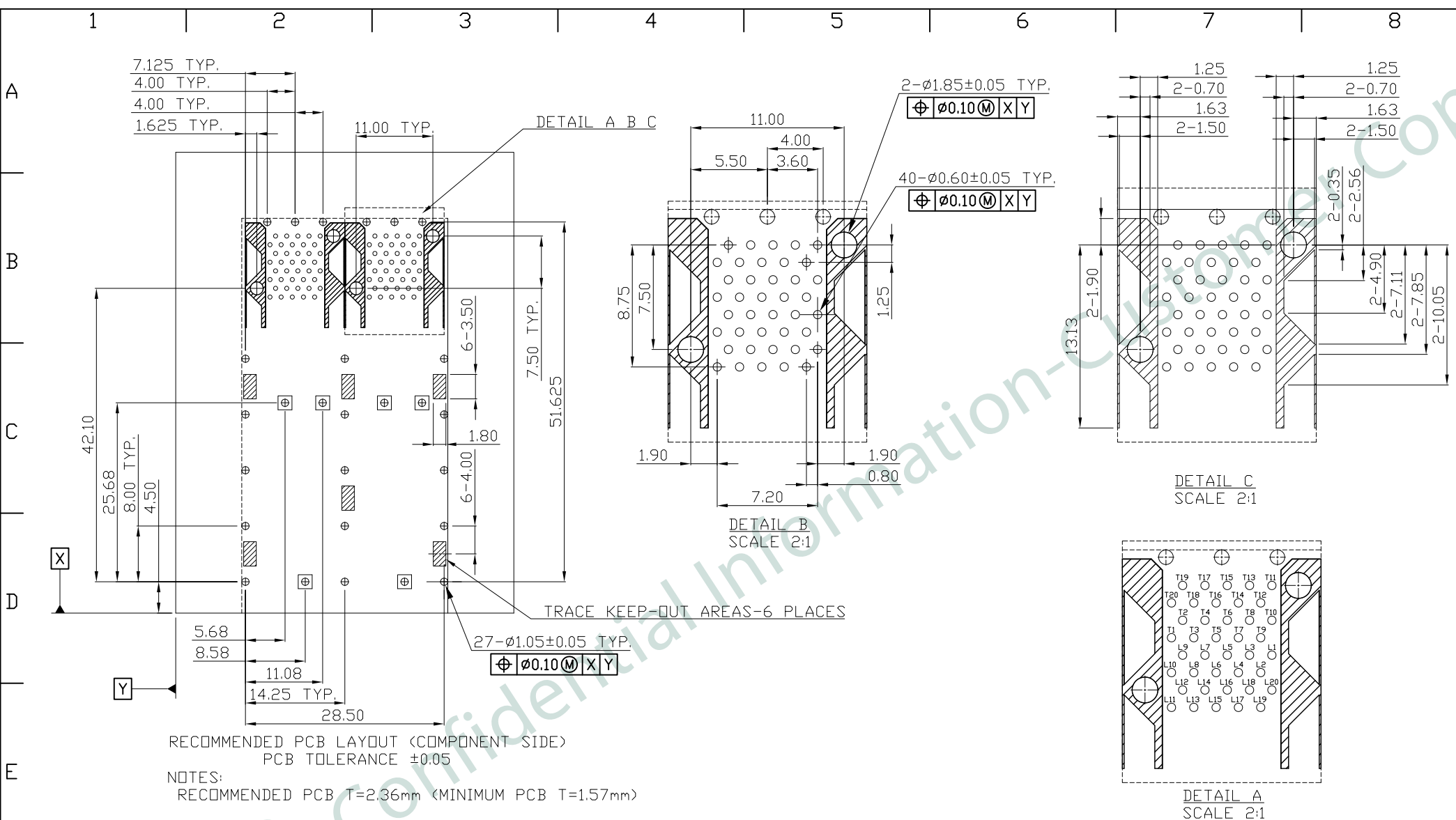


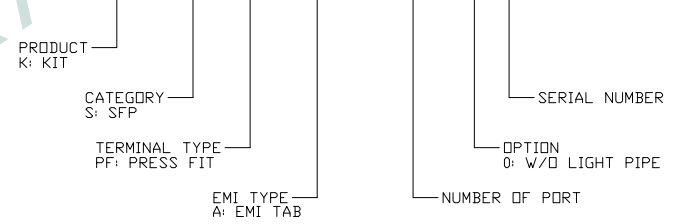
REV.	DATE	DESCRIPTION
01	Jul. 05, '18	1st RELEASE

- NOTES:
- MATERIAL:**  
 CAGE: T=0.25mm COPPER ALLOY  
 CONNECTOR HOUSING: GLASS FILLED THERMOPLASTIC UL94V-0, COLOR-BLACK  
 TERMINALS: PHOSPHOR BRONZE
  - FINISH:**  
 TERMINALS CONTACT AREA: PLATED-GOLD  
 SOLDER TERMINAL AREA: PLATED-TIN
  - UNSPECIFIED TOLERANCE:**  
 .XXX ±0.15  
 .XX ±0.25  
 .X ±0.35

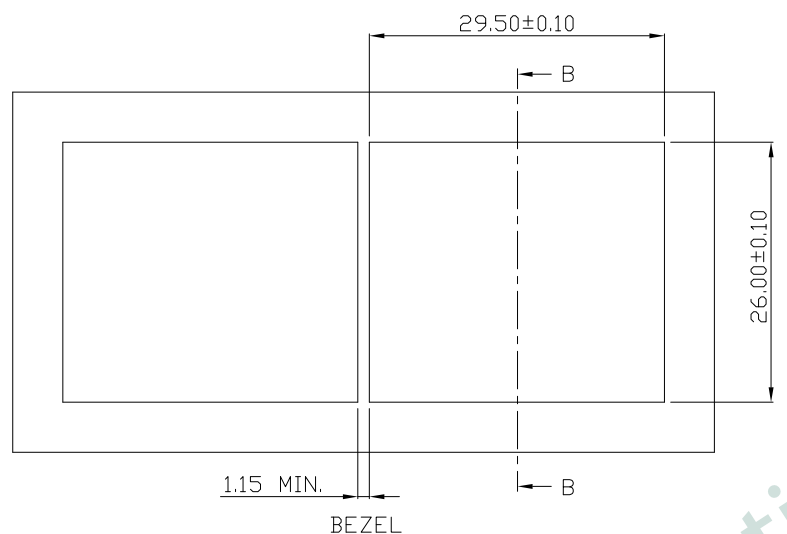
PART NO		KSFP-K-SPFA-2202		
TITLE	SFP 2X2 CAGE + CONNECTOR, EMI TAB, W/O LIGHT PIPE, PRESS FIT TYPE			
REV : 01				
UNIT	DRAWN	CHKD	DATE	SHEET
mm[inch]	CINDY	VINCENT	Jul. 05, '18	1 of 3



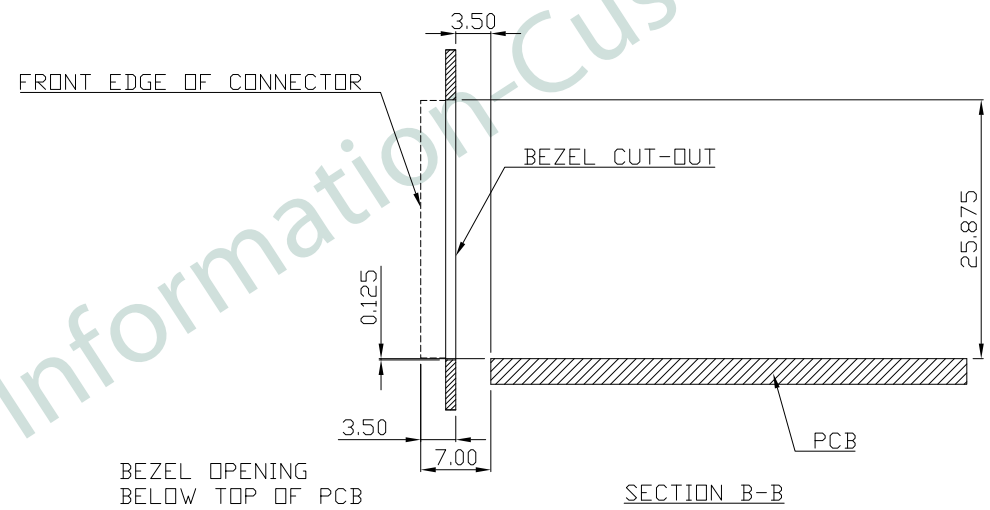
KSFP-K-SPFA-2202

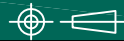


PART NO		KSFP-K-SPFA-2202		
TITLE	SFP 2X2 CAGE + CONNECTOR, EMI TAB, W/D LIGHT PIPE, PRESS FIT TYPE			
REV : 01				
UNIT	DRAWN	CHKD	DATE	SHEET
mm[inch]	CINDY	VINCENT	Jul. 05, '18	2 of 3



RECOMMENDED PANEL CUTOUT AND PC BOARD  
PANEL POSITION AND T=0.8~2.6mm



 PART NO		KSFP-K-SPFA-2202		
TITLE	SFP 2X2 CAGE + CONNECTOR, EMI TAB, W/O LIGHT PIPE, PRESS FIT TYPE			
REV : 01				
UNIT	DRAWN	CHKD	DATE	SHEET
mm[inch]	CINDY	VINCENT	Jul. 05, '18	3 of 3