

PRODUCT SPECIFICATION DRAWING

P2RFD-1670-SS

FINISH:
BODIES &
COMPONENTS: WHITE BRONZE

HEX NUT: PASSIVATED PER QQ-P-35C, TYPE II

PINS: SILVER

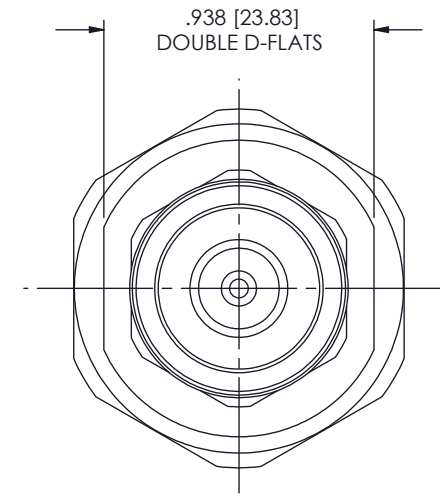
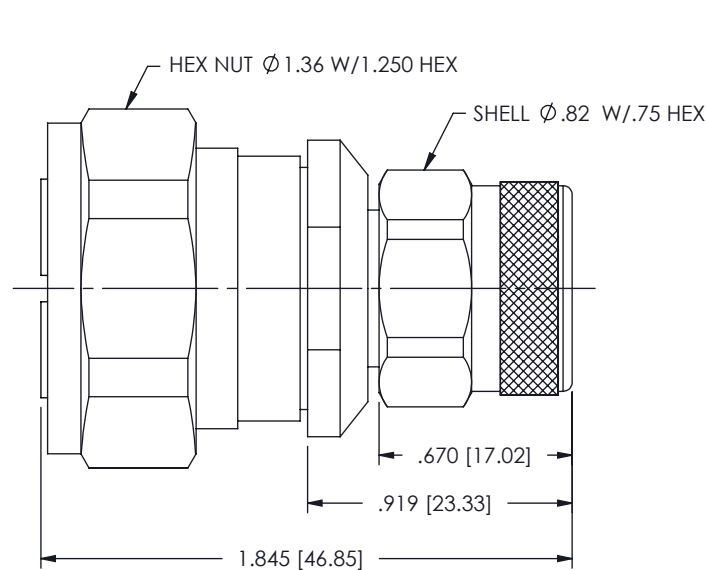
PERFORMANCE:
IMPEDANCE: 50 OHMS
Vp: 77%
FREQ. RANGE: DC TO 7.5 GHz
DELAY: 141ps
VSWR: <1.10:1 @ DC-7.5 GHz
INSERTION LOSS: <-.1db @ $\sqrt{7.5}$ GHz
3rd ORDER IM: <-160 dBc IN PCS BAND w/2+43 dB TONES
N TORQUE: 10 inLb
DIN TORQUE: 15 ftLb
OPERATING
TEMP RANGE: -55°C TO +150°C

MATERIAL:
BODIES,
COMPONENTS
& PIN: BRASS

HEX NUT: STAINLESS STEEL PER AMS-5640, TYPE 303,
COND.A

O-RING &
GASKET: SILICONE RUBBER, ZZ-R-765 DUROMETER 70

INSULATOR: PTFE PER ASTM-D1710



UNLESS OTHERWISE SPECIFIED
DIMENSIONS ARE IN INCHES
& [MILLIMETERS]

PROPRIETARY

THE INFORMATION HEREIN IS CONFIDENTIAL AND PROPRIETARY. NO DISCLOSURE, REPRODUCTION, OR FURTHER DISSEMINATION MAY BE MADE WITHOUT THE EXPRESSED WRITTEN CONSENT OF RF INDUSTRIES.

RFP² RF PRECISION PRODUCTS
A DIVISION OF RF INDUSTRIES

7610 MIRAMAR ROAD, SAN DIEGO, CA 92126-4202
(858) 549-6340 - FAX (858) 549-6345 - RFP2@RFINDUSTRIES.COM

TITLE: **7/16 DIN PLUG TO
N PLUG ADAPTER**

REV	DESCRIPTION	DATE	APPROVED
-	ENGINEERING RELEASE	10/10/10	JDMc
A	UPDATED COUPLING NUT DESIGN, DWG. FORMAT & SPECS	05/15/15	JDMc
B	UPDATED SPECS	01/18/18	JDMc

**RoHS
COMPLIANT**

DRAWN BY: C. ZUNIGA 01/18/18

ENG APPROVAL:

ORJ. DRAWN: C. ZUNIGA

01/18/18

10/10/10

SCALE: NTS
CODE: 000000

SHEET 1 OF 1

DWG. NO.

P2RFD-1670-SS

REV

B