

SUMMARY



Image is for illustrative purpose only

Wires

Fluidic 1

Series 1P
Termination type Fluidic contact (1)
IP rating 50
AWG wire size 0.00 - 0.00
Cable Ø 1.70 - 6.50 mm
Status active
Matching parts [PAG.A0.1GZ.ZC65V](#)

Download

[Request a quote](#)
[Catalog](#)

TECHNICAL DETAILS

Mechanics

Shell Style/Model PK*: Fixed receptacle with two nuts (back panel mounting) fluidic
Keying 1 key (alpha=0; Plug: male contact; Receptacle: female contact)
Housing Material PSU (Polysulfone), gray
Variant V : Green front nut
Weight 6.63 g

Performance

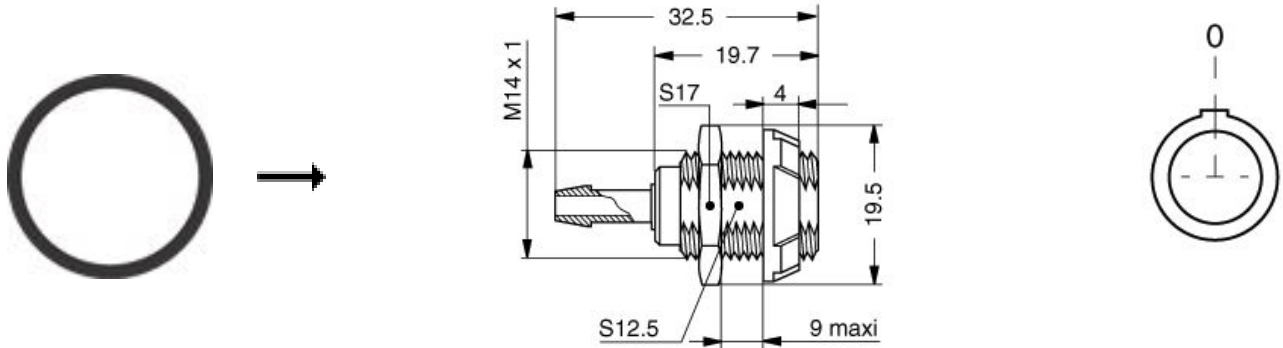
Configuration 1P.A01 : 1 Fluidic contact
Insulator
Rated Current

Others

Endurance (Shell): >2000 mating cycles
Steam sterilization: > 100 times (with potting on rear connection)
Pressure: 2 bars

LEMO products and services are provided "as is". LEMO makes no warranties or representations with regard to LEMO product & services or use of them, express, implied or statutory, including for accuracy, completeness, or security. The user is fully responsible for his products and applications using LEMO components.

DRAWINGS



RECOMMENDED BY LEMO

Tools

Cables

LEMO products and services are provided "as is". LEMO makes no warranties or representations with regard to LEMO product & services or use of them, express, implied or statutory, including for accuracy, completeness, or security. The user is fully responsible for his products and applications using LEMO components.