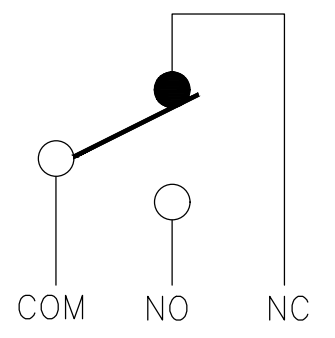
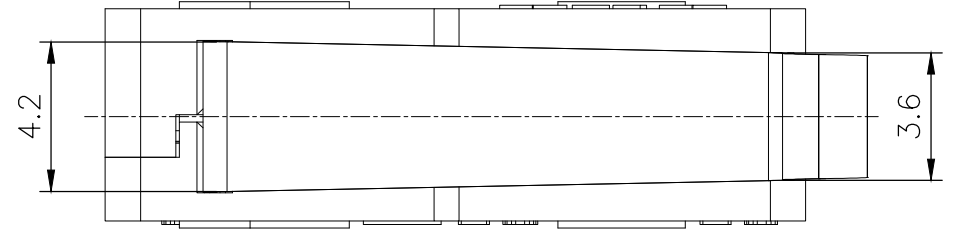
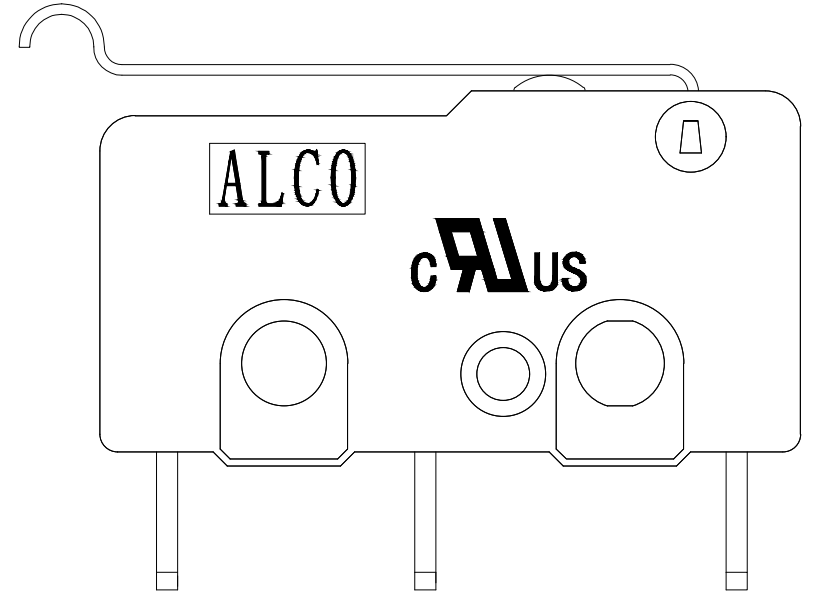
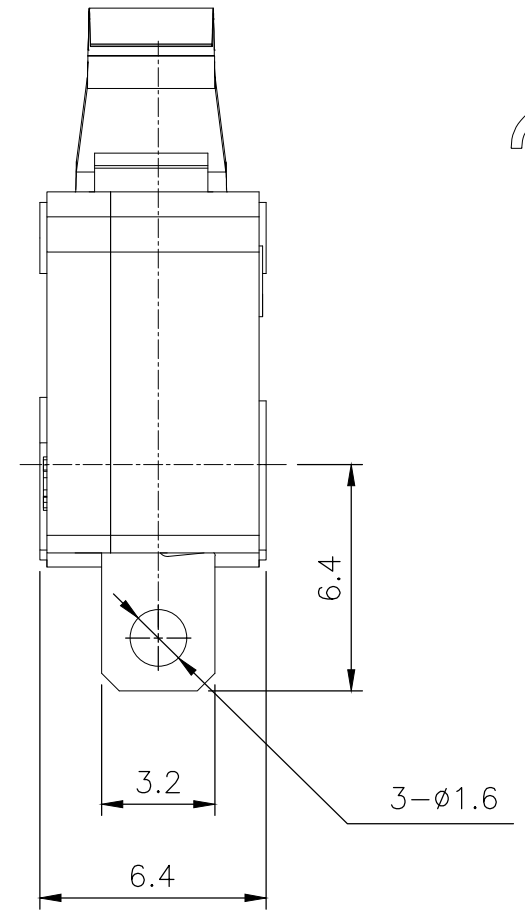
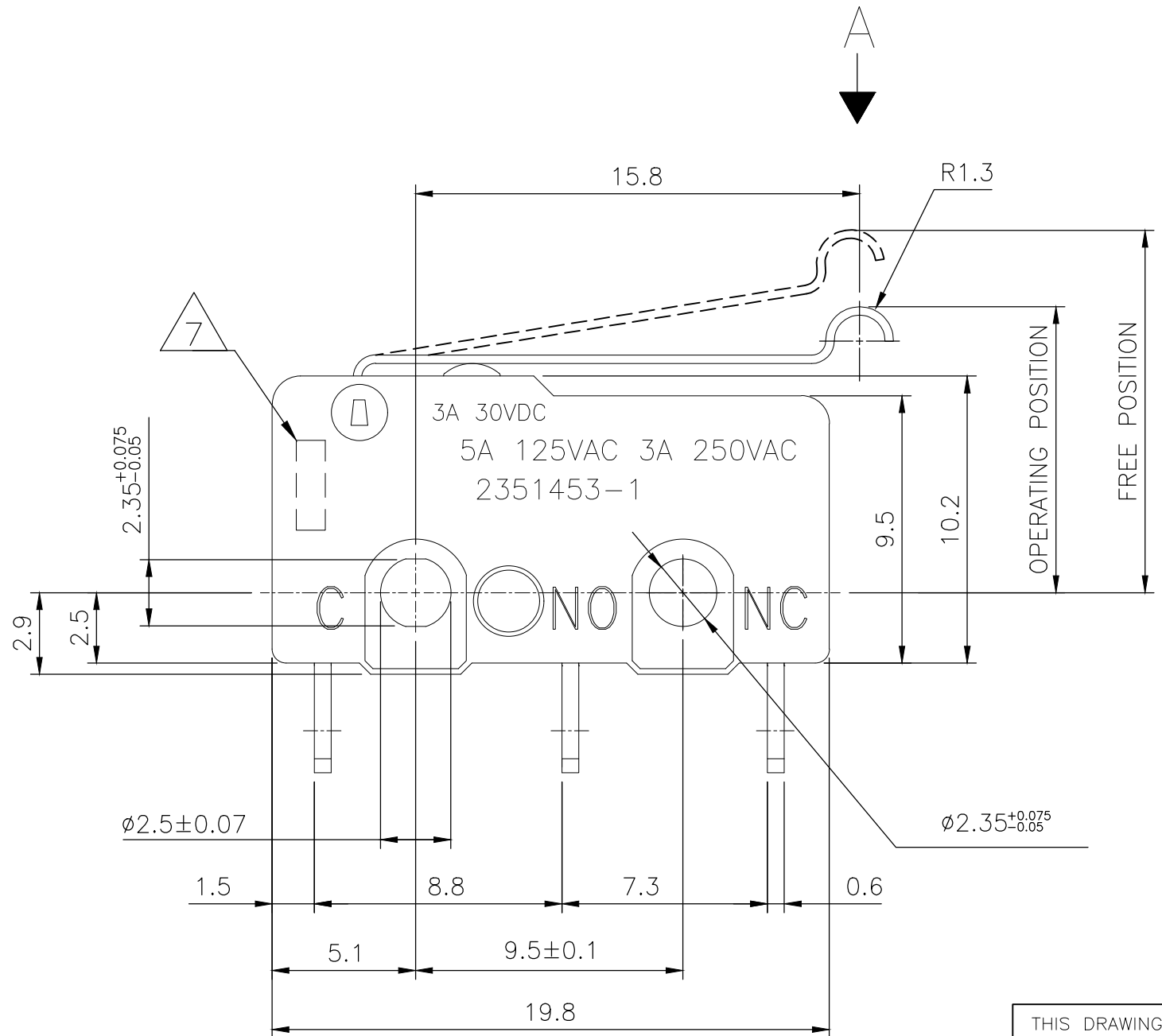


THIS DRAWING IS UNPUBLISHED. RELEASED FOR PUBLICATION  
 © COPYRIGHT - TE Connectivity Ltd. ALL RIGHTS RESERVED.

REVISIONS					
P	LTR	DESCRIPTION	DATE	DWN	APVD
2		DRAWING UPDATED	10JAN2020	DHC	AS



CIRCUIT DIAGRAM



**PRELIMINARY**

THIS DRAWING IS A CONTROLLED DOCUMENT.		DWN GANESH_CM 09MAY2019	TE Connectivity Ltd.				
DIMENSIONS: mm		CHK ALEXANDER_SHARPE 09MAY2019					
TOLERANCES UNLESS OTHERWISE SPECIFIED:		APVD ALEXANDER_SHARPE 09MAY2019	NAME				
0 PLC ± - 1 PLC ± - 2 PLC ± 0.4 3 PLC ± - 4 PLC ± - ANGLES ± -		PRODUCT SPEC	SWITCH, SUBMINIATURE SNAP ACTION, ROUND FORMED LEVER, SOLDER TERMINAL				
MATERIAL		FINISH	APPLICATION SPEC	SIZE	CAGE CODE	DRAWING NO	RESTRICTED TO
-		-	-	A3	00779	C=2351453	-
CUSTOMER DRAWING			WEIGHT	SCALE	SHEET	REV	
			-	NTS	1 OF 2	2	

THIS DRAWING IS UNPUBLISHED.

RELEASED FOR PUBLICATION

REVISIONS

© COPYRIGHT - TE Connectivity Ltd.

ALL RIGHTS RESERVED.

P	LTR	DESCRIPTION	DATE	DWN	APVD
-	-	SEE SHEET 1	-	-	-

NOTES:

- OPERATING CHARACTERISTICS ARE FOR OPERATION IN THE A DIRECTION ↓
- PACKAGING:  
SWITCHES ARE BULK PACKAGED IN BAGS, 100 SWITCHES PER BAG, 10 BAGS PER BOX.
- COMPLIANCE:  
THE CURRENT STATEMENT OF COMPLIANCE IS AVAILABLE AT TE.COM.
- MATERIAL AND FINISH:  
LEVER: STAINLESS STEEL  
BUTTON: THERMOPLASTIC, WHITE  
COVER: THERMOPLASTIC, BLACK  
SPRING PLATE: COPPER ALLOY  
MOVING PLATE: COPPER ALLOY  
CONTACTS: SILVER ALLOY  
RIVET: ALUMINUM  
TERMINAL: BRASS, SILVER PLATED  
BASE: THERMOPLASTIC, BLACK
- SPECIFICATIONS:  
CURRENT RATING: SEE TABLE  
CONTACT RESISTANCE: 50mΩ MAXIMUM INITIAL AT FREE POSITION AND TOTAL TRAVEL POSITION  
INSULATION RESISTANCE: 100MΩ MINIMUM @ 500 V DC FOR 1 MINUTE, INITIAL.  
DIELECTRIC WITHSTANDING VOLTAGE, BETWEEN TERMINALS OF THE SAME POLARITY: 1000 V AC, 50 TO 60 HZ FOR 1 MINUTE  
DIELECTRIC WITHSTANDING VOLTAGE, BETWEEN EACH TERMINAL AND GROUND: 1500 V AC, 50 TO 60 HZ FOR 1 MINUTE  
DIELECTRIC WITHSTANDING VOLTAGE, BETWEEN EACH TERMINAL AND NON-CURRENT CARRYING METAL PART: 1500 V AC, 50 TO 60 HZ FOR 1 MINUTE
- SOLDER PROCESS:  
MANUAL SOLDERING: 350°C, 3 SECONDS MAXIMUM, 30 TO 40 WATTS. PREVENT SOLDER AND FLUX CONTACTING THE SWITCH BODY.  
DO NOT OPERATE THE SWITCH DURING THE FIRST MINUTE AFTER SOLDERING.  
WAVE SOLDERING: 260°C, 5 SECONDS MAXIMUM. PREVENT SOLDER AND FLUX CONTACTING THE SWITCH BODY.  
DO NOT OPERATE THE SWITCH DURING THE FIRST MINUTE AFTER SOLDERING.

△ 7 DATE CODE:

①      ②      ③      ④

①	DAY	01 TO 31
②	MONTH	1 TO 9, X, Y, Z (X=10, Y=11, Z=12)
③	YEAR	00 TO 99
④	OTHER	N/A

8. CERTIFICATION: **cALus**

SILVER	SPDT	10,000,000 CYCLES, MINIMUM	100,000 CYCLES, MINIMUM	-40 TO +85°C/85% RELATIVE HUMIDITY MAXIMUM	-40 TO +105°C/60% RELATIVE HUMIDITY MAXIMUM	0.8 MAXIMUM	1.20 MINIMUM	10.7±0.8	15.5 MAXIMUM	0.06N MINIMUM	0.49N MAXIMUM	5A, 125VAC 3A, 250VAC 3A, 30VDC	MOMENTARY	SOLDER	SAJ25YXRHL147SDTSEQ	2351453-1
CONTACT FINISH	CONTACT FORM	MECHANICAL LIFE	ELECTRICAL LIFE	STORAGE TEMPERATURE RANGE/HUMIDITY RANGE	OPERATING TEMPERATURE RANGE/HUMIDITY RANGE	MOVEMENT DIFFERENTIAL	OVERTRAVEL	OPERATING POSITION	FREE POSITION	RELEASE FORCE	OPERATING FORCE	RATING, RESISTIVE LOAD	CONTACT CONFIGURATION	TERMINAL TYPE	TE SMART PART NUMBER	PART NUMBER

THIS DRAWING IS A CONTROLLED DOCUMENT.

DWN 09MAY2019 GANESH CM

CHK 09MAY2019 ALEXANDER SHARPE

APVD 09MAY2019 ALEXANDER SHARPE

PRODUCT SPEC

APPLICATION SPEC

WEIGHT -

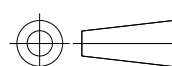
CUSTOMER DRAWING

**STE** TE Connectivity Ltd.

NAME SWITCH, SUBMINIATURE SNAP ACTION, ROUND FORMED LEVER, SOLDER TERMINAL

SIZE	CAGE CODE	DRAWING NO	RESTRICTED TO
A3	00779	C=2351453	-

DIMENSIONS: mm



TOLERANCES UNLESS OTHERWISE SPECIFIED:	
0 PLC	± -
1 PLC	± -
2 PLC	± 0.4
3 PLC	± -
4 PLC	± -
ANGLES	± -

MATERIAL - FINISH -

**PRELIMINARY**