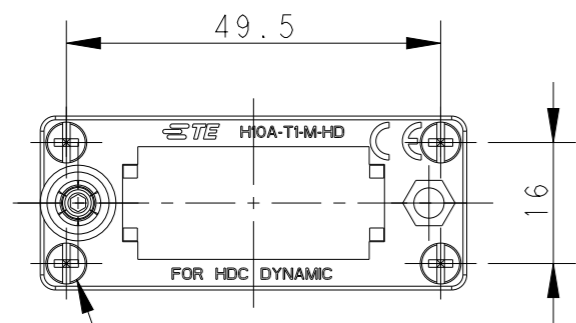
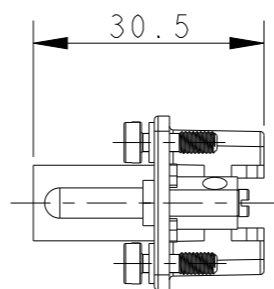


P	LTR	DESCRIPTION	DATE	DWN	APVD
	A	INITIAL RELEASE	13SEP2018	DW	CW
	B	ECR-21-122216	09DEC2021	WQR	CW

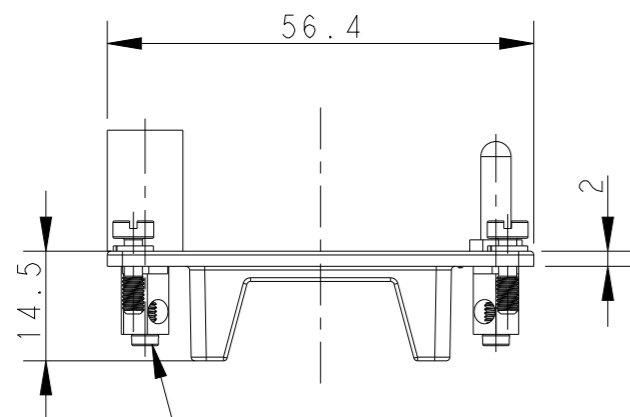


4X M3 SCREW
RECOMMENDED TIGHTENING TORQUE 0.5Nm
4X M3 螺丝, 推荐力矩0.5Nm

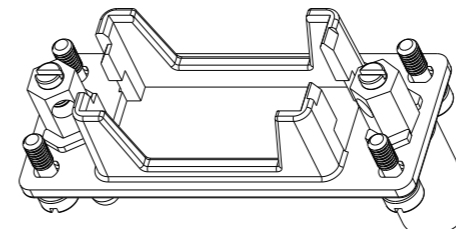
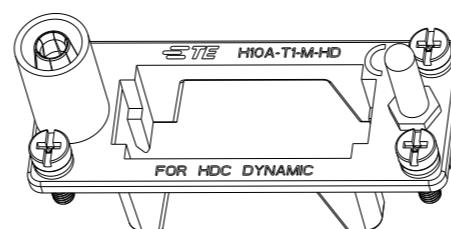


NOTES:
1. TECHNICAL CHARACTERISTICS:
FRAME MATERIAL: DIE CAST ZINC ALLOY
NUMBER OF MODULES: 1
SURFACE: SEE TABLE
MATING CYCLES: 500 CYCLE

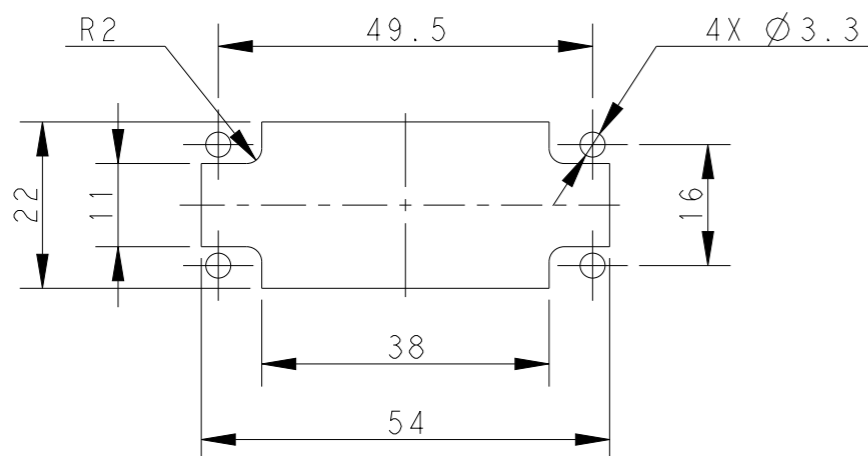
注释:
1. 技术参数:
框架材料: 锌合金
模块数量: 1
表面处理: 见表格
插拔次数: 500次




2X M3 SCREW
RECOMMENDED TIGHTENING TORQUE 0.5Nm
2X M3 螺丝, 推荐力矩0.5Nm



PANEL CUT FOR FRAME USE WITHOUT HOODS/ HOUSINGS
不使用防护外壳时框架的安装开孔图



T2079104101-002	H10A-T1-M-HD	H10A MALE MODULE FRAME, MATED WITH DYNAMIC, BLACK NICKEL PLATED H10A模块公框架, 适配DYNAMIC, 镀黑镍
T2079104201-002	H10A-T1-F-HD	H10A FEMALE MODULE FRAME, MATED WITH DYNAMIC, BLACK NICKEL PLATED H10A模块母框架, 适配DYNAMIC, 镀黑镍
PART NUMBER 料号	PART DESCRIPTION 描述	

THIS DRAWING IS A CONTROLLED DOCUMENT.		DWN 12SEP2018 DAVID WANG	 TE Connectivity		
DIMENSIONS: mm		CHK 12SEP2018 GINO YAO			
TOLERANCES UNLESS OTHERWISE SPECIFIED:		APVD 12SEP2018 CHRIS WANG	NAME H10A-T1		
0 PLC ±- 1 PLC ±- 2 PLC ±- 3 PLC ±- 4 PLC ±- ANGLES ±-		PRODUCT SPEC -	RESTRICTED TO -		
MATERIAL -		APPLICATION SPEC -	SIZE A3	CAGE CODE 00779	DRAWING NO T2079104X01002
FINISH -		WEIGHT -	SCALE 1:1		SHEET 1 OF 2
		CUSTOMER DRAWING		REV B	

THIS DRAWING IS UNPUBLISHED.

RELEASED FOR PUBLICATION

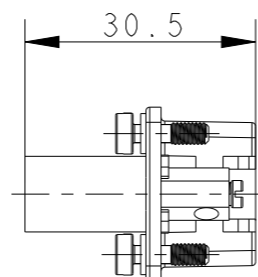
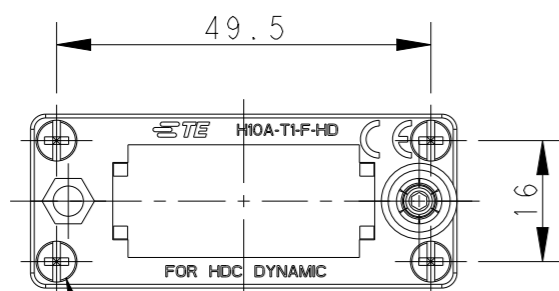
20

© COPYRIGHT 20 BY -

ALL RIGHTS RESERVED.

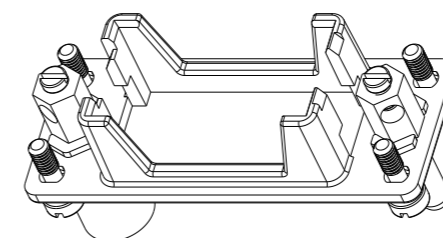
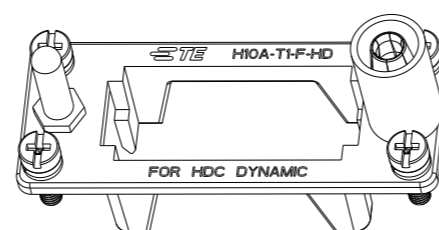
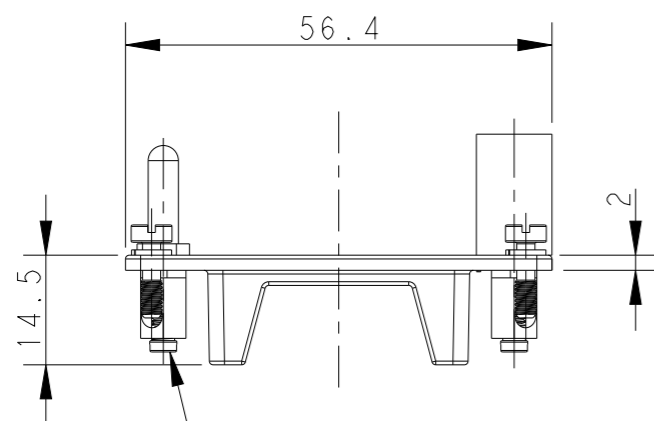
REVISIONS

P	LTR	DESCRIPTION	DATE	DWN	APVD
-	-	SEE SHEET 1	-	-	-




4X M3 SCREW
 RECOMMENDED TIGHTENING TORQUE 0.5Nm
 4X M3 螺丝, 推荐力矩0.5Nm

NOTES:
 SEE SHEET 1



2X M3 SCREW
 RECOMMENDED TIGHTENING TORQUE 0.5Nm
 2X M3 螺丝, 推荐力矩0.5Nm

THIS DRAWING IS A CONTROLLED DOCUMENT.		DWN 12SEP2018 DAVID WANG	 TE Connectivity	
DIMENSIONS: mm		CHK 12SEP2018 GINO YAO		
TOLERANCES UNLESS OTHERWISE SPECIFIED:		APVD 12SEP2018 CHRIS WANG	PRODUCT SPEC	RESTRICTED TO
0 PLC ±- 1 PLC ±- 2 PLC ±- 3 PLC ±- 4 PLC ±- ANGLES ±-		APPLICATION SPEC	SIZE	RESTRICTED TO
MATERIAL		WEIGHT	CAGE CODE	RESTRICTED TO
-		-	A300779	-
-		-	DWG NO	SCALE
-		-	G-T2079104X01002	1:1
-		-	CUSTOMER DRAWING	SHEET 2 OF 2
-		-	SCALE	REV B
-		-	1:1	2 OF 2