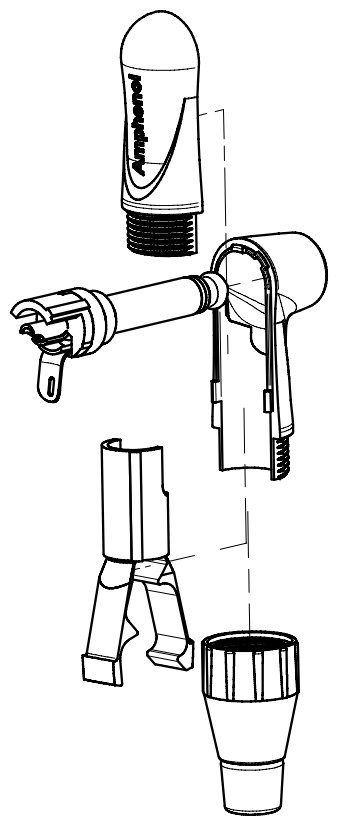
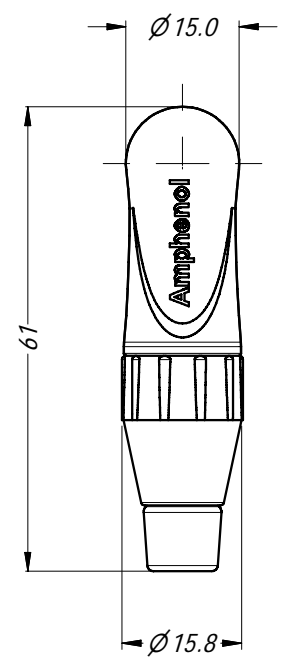
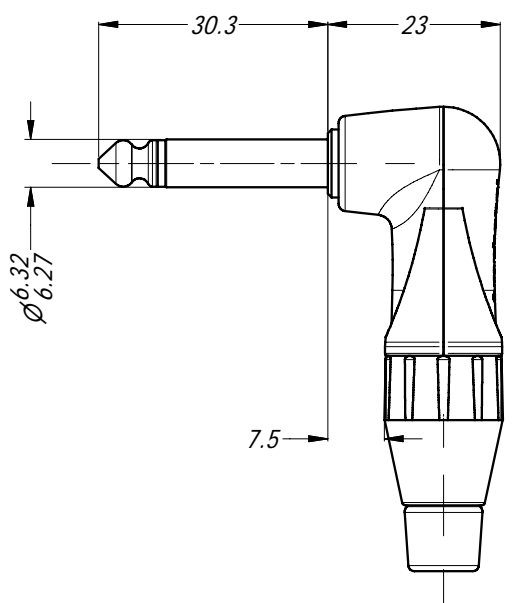
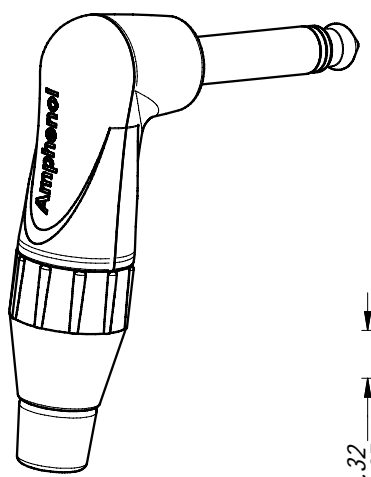
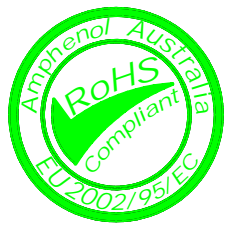


REVISION HISTORY				
REV	DESCRIPTION	BY	DATE	ECN
0	FIRST ISSUE	T.N	11/02/10	8882



PART NUMBER BREAKDOWN

TM2R B J - AU

SERIES DESIGNATION

CONTACT FINISH
BLANK: NICKEL
AU: : GOLD

SHELL FINISH
BLANK: NICKEL
B: : BLACK

CABLE CLAMP SIZE
BLANK: STANDARD
J: : LARGE

NOTES:

- STANDARD JAW CABLE CLAMP (BLACK) USED FOR CABLE OD 3.0 mm TO 5.5mm
LARGE JAW CABLE CLAMP (PURPLE) USED FOR CABLE OD 5.5mm TO 6.5mm

UNLESS OTHERWISE SPECIFIED TOLERANCE TO BE	
LINEAR	ANGULAR
X ± 0.5	X' ± 1
X.X ± 0.1	X.X' ± 30'
X.XX ± 0.05	X.XX' ± 15'

BREAK ALL SHARP EDGES AND REMOVE ALL BURRS

DO NOT SCALE

DIMENSIONS IN MILLIMETRES

THIS DOCUMENT IS THE PROPERTY OF AMPHENOL AUSTRALIA PTY. LTD.
NO PART THEREOF MAY BE REPRODUCED AND USED WITHOUT THE PRIOR WRITTEN CONSENT OF THE OWNER

MATERIAL: SEE COMPONENTS

FINISH: SEE COMPONENTS

DRN: T.N DATE: 26/10/09

CKD: P.M DATE: 27/10/09

APP'D: P.M DATE: 27/10/09

SCALE: 1:1 SIZE: A4



Amphenol Australia Pty.Ltd,
2 Fiveways Blvd, Keysborough, VIC 3173

TITLE:
**1/4 PHONE PLUG
MONO RIGHT ANGLE
CUSTOMER DWG**

PART No:
SEE P/No BREAKDOWN

DRAWING NO. SHEET

CAD FILE: 55010637000210

55010637-000-2 2/2

