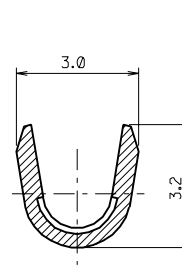
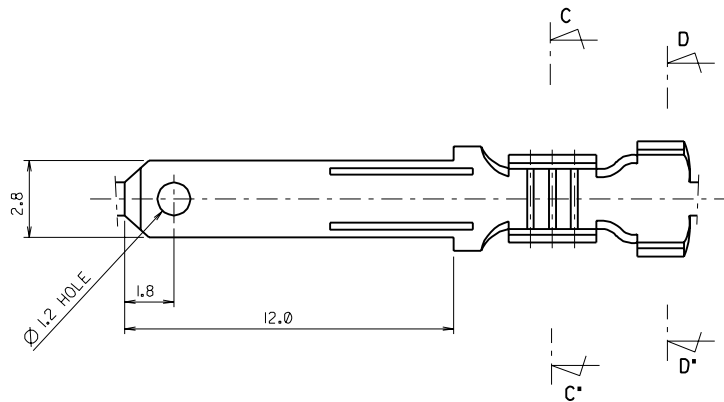


ENG. NO. SD 35711-04*0

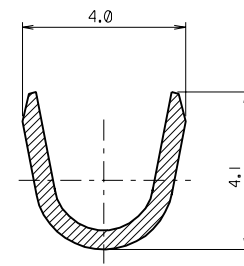
EDP NO.

SIMILAR ITEM

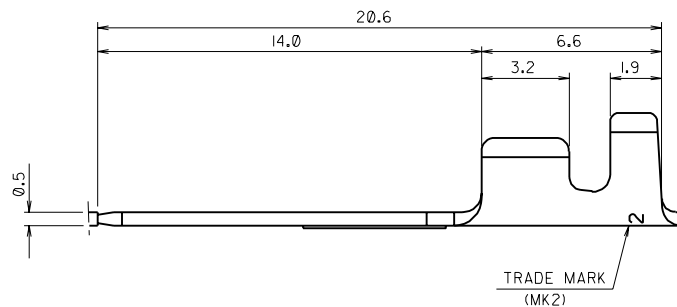
PROJECT NO.



SECTION: C-C*



SECTION: D-D*



NOTES

- 1. MATERIAL: BRASS 0.5 THK'
- 2. PLATING: 35711-0400:UNPLATING
35711-0410:POST-TIN PLATING

WIRE RANGE AWG #20-#16 (0.52-1.31 mm ²)				MATERIAL SEE NOTES		MOLEX-KOREA CO.,LTD.	
INSULATION RANGE Ø 1.8-2.3				GENERAL TOLERANCE DIMENSION : +0.3		DRAWN BY W.Y.YANG	
DIE FEED: ---		B	REVISED	95-007	95.1.17	CHK'D BY	
APPLICATOR FEED: 22.1		A	REDRAWN	92-007	92.1.31	SCALE	
O'TY/ REEL OR PACK 10,000 O'TY/REEL		LTR	REVISION RECORD	ECN	DATE	TITLE: .110 SLIP-ON TAB	
		REVISE ONLY ON CAD SYSTEM				SHEET 1 OF 1	
						ENG. NO. SD 35711-04*0	
						REV A	