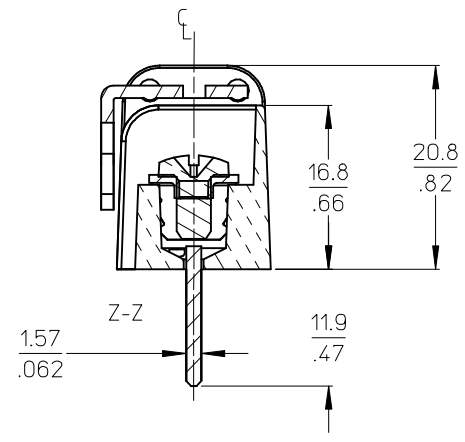
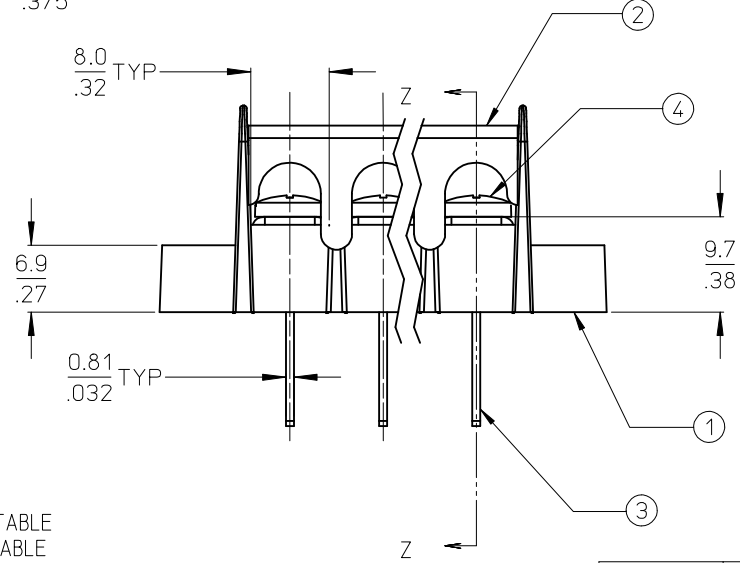


3 CIRCUIT SHOWN WITH COVER ROTATED 45°



- NOTES:
1. MATERIAL: SEE TABLE
 2. FINISHES: SEE TABLE
 3. "XX" REFERS TO QUANTITY OF CIRCUITS.
 4. ROHS COMPLIANT.

ITEM	QTY.	DESCRIPTION	MATERIAL	FINISH
5	XX	SCREW&WASHER, #6-32X.250, PAN, PH/SL (-50 OPT)	STEEL	ZN, CLEAR CHROMATE
4	XX	SCREW, #6-32X.250, BHD, PH/SL (STD.)	STEEL	ZN, CLEAR CHROMATE
3	XX	TERM WIRE WRAP 6C SN-KT	BRASS	TIN PLATE
2	1	COVER, HINGE	POLYESTER (PBT)	BLACK
1	1	INSULATOR, SR, PC, CS, H W/MTG.	POLYESTER (PBT)	BLACK

INITIAL RELEASE
 EC NO: WNA2009-0404
 DRWN: JENCINAS 2009/01/15
 CHKD: C YORK 2009/01/15
 APPR: JMACNEIL 2009/01/16

QUALITY SYMBOLS
 ▽=0
 ▽/□=0

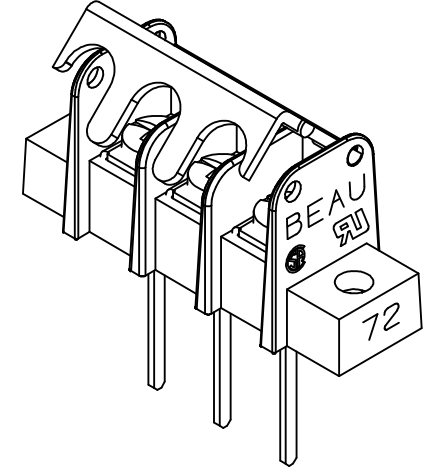
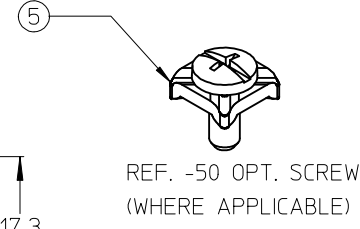
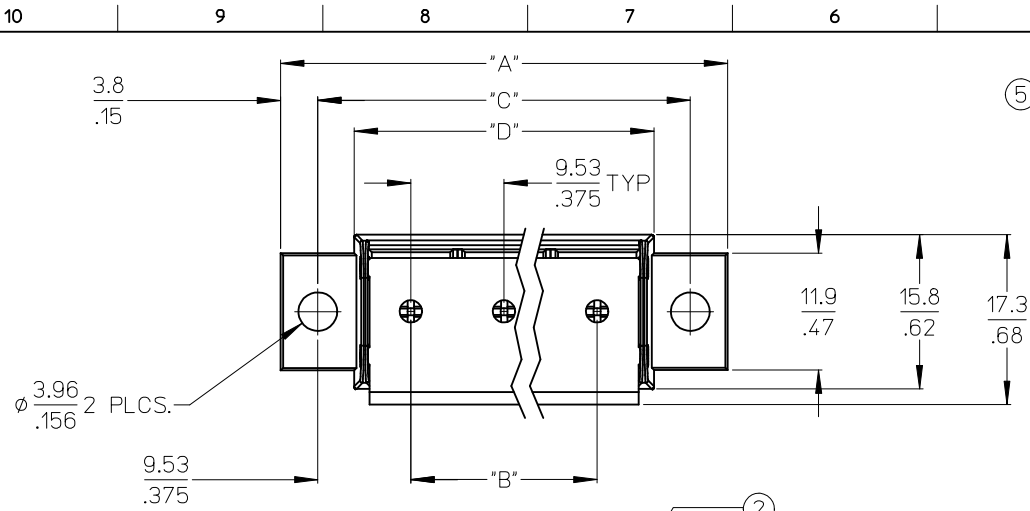
	GENERAL TOLERANCES (UNLESS SPECIFIED)	
	mm	INCH
4 PLACES	± ---	± ---
3 PLACES	± ---	± .005
2 PLACES	± 0.13	± .01
1 PLACE	± 0.3	± ---
ANGULAR ± 2°		

DIMENSION STYLE	
MM/IN	
DRAWN BY	DATE
AHIDALGO	2007/01/30
CHECKED BY	DATE
JENCINAS	2007/01/30
APPROVED BY	DATE
RDEROSS	2007/01/30
MATERIAL NO.	
SEE CHART	

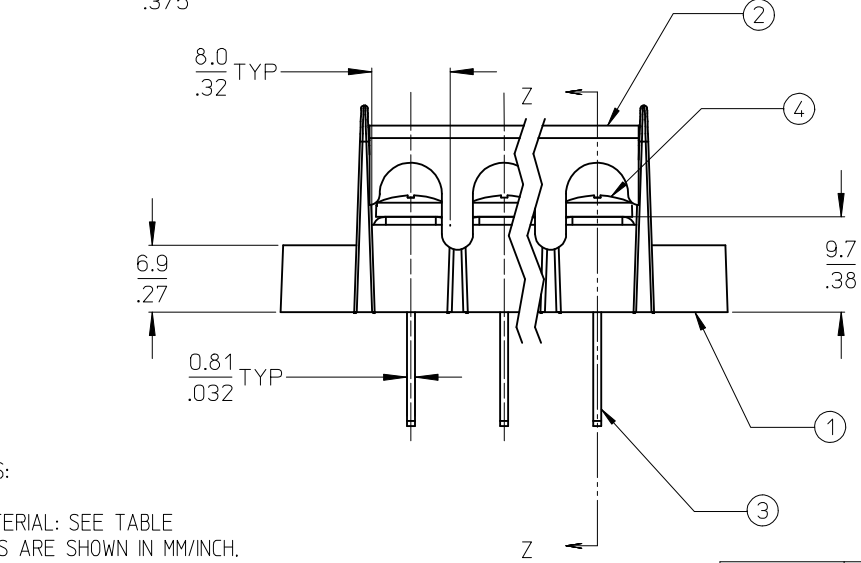
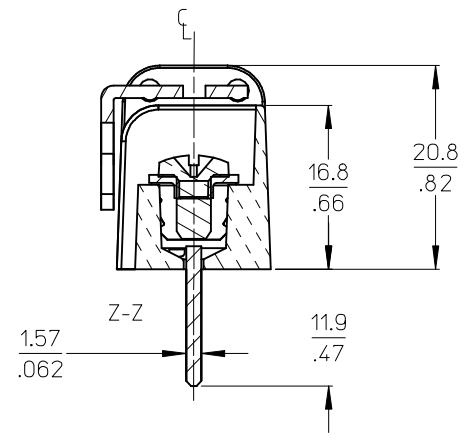
SCALE	DESIGN UNITS	THIRD ANGLE PROJECTION
2:1	INCH	☉
TITLE		
.375" PCB BTS CLOSED SIDE W/HINGED COVER		
MOLEX INCORPORATED		SHEET NO.
DOCUMENT NO. SD-38729-049		1 OF 2

NO. OF CIRCUITS	DIM. "A"		DIM. "B"		DIM. "C"		DIM. "D"		ASSEMBLY MATERIAL NO. (STANDARD)	ASSEMBLY MATERIAL NO. (-50 OPT)
	mm	in	mm	in	mm	in	mm	in		
02	40.1	1.58	9.53	0.375	28.58	1.125	21.1	0.83		
03	49.7	1.96	19.05	0.750	38.10	1.500	30.7	1.21		
04	59.2	2.33	28.58	1.125	47.63	1.875	40.2	1.58		387291500
05	68.7	2.71	38.10	1.500	57.15	2.250	49.7	1.96		
06	78.2	3.08	47.63	1.875	66.68	2.625	59.2	2.33	387291361	387291081
07	87.8	3.46	57.15	2.250	76.20	3.000	68.8	2.71		
08	97.3	3.83	66.68	2.625	85.73	3.375	78.3	3.08		
09	106.8	4.21	76.20	3.000	95.25	3.750	87.8	3.46		
10	116.3	4.58	85.73	3.375	104.78	4.125	97.3	3.83		
11	125.9	4.96	95.25	3.750	114.30	4.500	106.9	4.21		
12	135.4	5.33	104.78	4.125	123.83	4.875	116.4	4.58		
13	144.9	5.71	114.30	4.500	133.35	5.250	125.9	4.96		
14	154.4	6.08	123.83	4.875	142.88	5.625	135.4	5.33		
15	164.0	6.46	133.35	5.250	152.40	6.000	145.0	5.71		

SEE SHEET ONE EC NO: WNA2009-0404 DRAWN: JENCINAS 2009/01/15 CHKD: CYORK 2009/01/15 APPR: JMACNEIL 2009/01/16	DESCRIPTION REV	QUALITY SYMBOLS	GENERAL TOLERANCES (UNLESS SPECIFIED) mm INCH 4 PLACES ± --- ± --- 3 PLACES ± --- ± .005 2 PLACES ± 0.13 ± .01 1 PLACE ± 0.3 ± --- ANGULAR ± 2 ° DRAFT WHERE APPLICABLE MUST REMAIN WITHIN DIMENSIONS	DIMENSION STYLE	SCALE	DESIGN UNITS	THIRD ANGLE PROJECTION		
		MM/IN		2:1	INCH	DRAWN BY DATE AHIDALGO 2007/01/30 CHECKED BY DATE JENCINAS 2007/01/30 APPROVED BY DATE RDEROSS 2007/01/30	TITLE		
						.375" PCB BTS CLOSED SIDE W/HINGED COVER		MOLEX INCORPORATED DOCUMENT NO. SD-38729-049	SHEET NO. 2 OF 2
						THIS DRAWING CONTAINS INFORMATION THAT IS PROPRIETARY TO MOLEX INCORPORATED AND SHOULD NOT BE USED WITHOUT WRITTEN PERMISSION			



3 CIRCUIT SHOWN WITH COVER ROTATED 45°



NOTES:

- 1. MATERIAL: SEE TABLE
- 2. DIMS ARE SHOWN IN MM/INCH.
- 3. "XX" REFERS TO QUANTITY OF CIRCUITS.
- 4. ROHS COMPLIANT.

ITEM	QTY.	DESCRIPTION	MATERIAL	FINISH
5	XX	SCREW&WASHER, #6-32X.250, PAN, PH/SL (-50 OPT)	STEEL	ZN, CLEAR CHROMATE
4	XX	SCREW, #6-32X.250, BHD, PH/SL (STD.)	STEEL	ZN, CLEAR CHROMATE
3	XX	TERM WIRE WRAP 6C	BRASS	TIN PLATE
2	1	COVER, HINGE	POLYESTER (PBT)	BLACK
1	1	INSULATOR, SR, PC, CS, H W/MTG.	POLYESTER (PBT)	BLACK

RELEASED
 EC NO: WNA2009-0832
 DRAWN: ENC INAS 2009/07/13
 CHKD: C'YORK 2009/07/17
 APPR: JMACNE IL 2009/07/17

QUALITY SYMBOLS
 ▽=0
 ▽=0

	GENERAL TOLERANCES (UNLESS SPECIFIED)	
	mm	INCH
4 PLACES	± ---	± ---
3 PLACES	± ---	± .005
2 PLACES	± 0.13	± .01
1 PLACE	± 0.3	± ---
ANGULAR ± 2°		

DRAFT WHERE APPLICABLE MUST REMAIN WITHIN DIMENSIONS

DIMENSION STYLE
MM/IN

SCALE
2:1

DESIGN UNITS
INCH

THIRD ANGLE PROJECTION

DRAWN BY
 J. ENCINAS

DATE
 2009/07/10

CHECKED BY
 C. YORK

DATE
 2009/07/10

APPROVED BY
 J. MACNEIL

DATE
 2009/07/10

MATERIAL NO.

SEE CHART

TITLE
**.375" PCB BTS
 CLOSED SIDE
 W/HINGED COVER**

MOLEX INCORPORATED

DOCUMENT NO.
SD-38729-053

SHEET NO.
1 OF 2

THIS DRAWING CONTAINS INFORMATION THAT IS PROPRIETARY TO MOLEX INCORPORATED AND SHOULD NOT BE USED WITHOUT WRITTEN PERMISSION

NO. OF CIRCUITS	DIM. "A"		DIM. "B"		DIM. "C"		DIM. "D"		ASSEMBLY MATERIAL NO. (STANDARD)	ASSEMBLY MATERIAL NO. (-50 OPT)	INSULATOR MATERIAL NO.	COVER MATERIAL NO.
	mm	in	mm	in	mm	in	mm	in				
02	40.1	1.58	9.53	0.375	28.58	1.125	21.1	0.83			397280102	397282135
03	49.7	1.96	19.05	0.750	38.10	1.500	30.7	1.21			397280103	397282136
04	59.2	2.33	28.58	1.125	47.63	1.875	40.2	1.58		387291500	397280104	397282137
05	68.7	2.71	38.10	1.500	57.15	2.250	49.7	1.96			397280105	397282138
06	78.2	3.08	47.63	1.875	66.68	2.625	59.2	2.33	387291361	387291081	397280106	397282139
07	87.8	3.46	57.15	2.250	76.20	3.000	68.8	2.71	387291648		397280107	397282140
08	97.3	3.83	66.68	2.625	85.73	3.375	78.3	3.08			397280108	397282141
09	106.8	4.21	76.20	3.000	95.25	3.750	87.8	3.46			397280109	397282142
10	116.3	4.58	85.73	3.375	104.78	4.125	97.3	3.83			397280110	397282143
11	125.9	4.96	95.25	3.750	114.30	4.500	106.9	4.21			397280111	397282144
12	135.4	5.33	104.78	4.125	123.83	4.875	116.4	4.58			397280112	397282145
13	144.9	5.71	114.30	4.500	133.35	5.250	125.9	4.96			397280113	397282146
14	154.4	6.08	123.83	4.875	142.88	5.625	135.4	5.33			397280114	397282147
15	164.0	6.46	133.35	5.250	152.40	6.000	145.0	5.71			397280115	397282148

SEE SHEET ONE EC NO: WNA2009-0832 DRWN: JENCINAS 2009/07/13 CHKD: CYORK 2009/07/17 APPR: JMACNEIL 2009/07/17	QUALITY SYMBOLS	GENERAL TOLERANCES (UNLESS SPECIFIED)	DIMENSION STYLE	SCALE	DESIGN UNITS	THIRD ANGLE PROJECTION
	▽=0 ▽=0	mm	MM/IN	2:1	INCH	.375" PCB BTS CLOSED SIDE W/HINGED COVER
		4 PLACES ± --- ± ---	DRAWN BY DATE	MOLEX MOLEX INCORPORATED DOCUMENT NO. SD-38729-053 SHEET NO. 2 OF 2		
		3 PLACES ± --- ± .005	CHECKED BY DATE			
		2 PLACES ± 0.13 ± .01	C. YORK 2009/07/10			
1 PLACE ± 0.3 ± ---	APPROVED BY DATE					
ANGULAR ± 2 °	J. MACNEIL 2009/07/10	MATERIAL NO.		SEE CHART		
DRAFT WHERE APPLICABLE MUST REMAIN WITHIN DIMENSIONS	THIS DRAWING CONTAINS INFORMATION THAT IS PROPRIETARY TO MOLEX INCORPORATED AND SHOULD NOT BE USED WITHOUT WRITTEN PERMISSION					