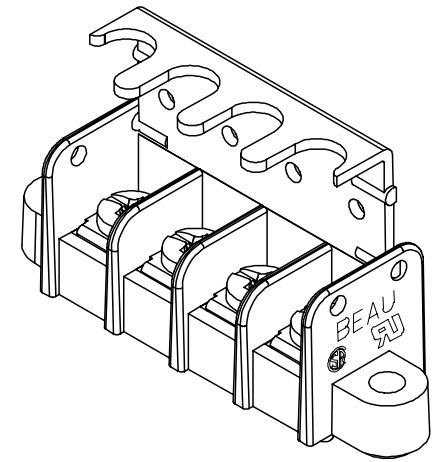
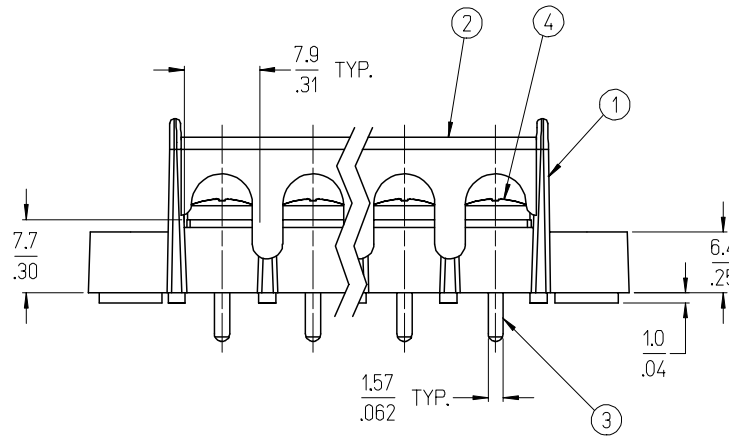
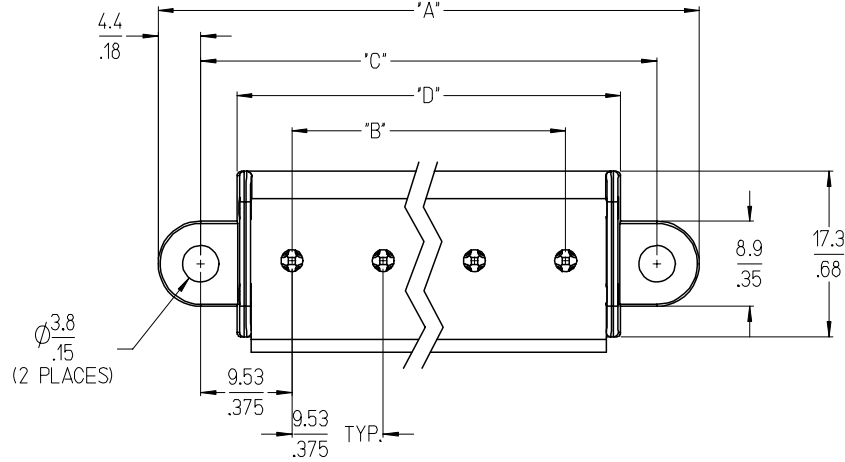
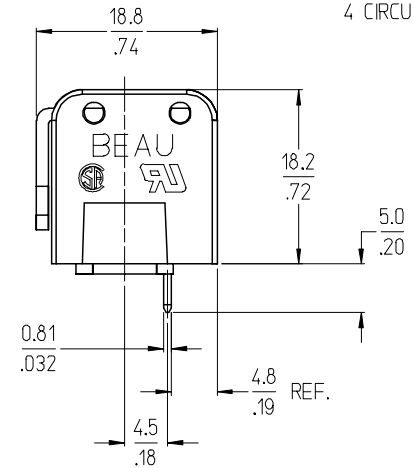


REF. -50 OPT. SCREW  
(WHERE APPLICABLE)



4 CIRCUIT SHOWN



NOTES:

1. MATERIAL: SEE TABLE
2. FINISHES: SEE TABLE
3. 'XX' REFERS TO THE QUANTITY OF CIRCUITS.
4. STANDARD SCREW SHOWN IN ASSEMBLY VIEWS.  
FOR -50 OPTION, ITEM 5 IS USED.
5. ASSEMBLY IS ROHS COMPLIANT.

| ITEM | QTY. | DESCRIPTION                                    | MATERIAL | FINISH             |
|------|------|------------------------------------------------|----------|--------------------|
| 5    | XX   | SCREW&WASHER, #6-32X.250, PAN, PH/SL (-50 OPT) | STEEL    | ZN, CLEAR CHROMATE |
| 4    | XX   | SCREW, #6-32X.250, BHD, PH/SL (STANDARD)       | STEEL    | ZN, CLEAR CHROMATE |
| 3    | XX   | TERMINAL, PC                                   | BRASS    | TIN PLATE          |
| 2    | 1    | COVER, HINGED                                  | PBT      | BLACK              |
| 1    | 1    | INSULATOR, SR, CS, WITH PADS                   | PBT      | BLACK              |

INITIAL RELEASE  
EC NO: ETC2007-0225  
DRAWN: CLYORK 2006/12/19  
CHKD: JMACNEIL 2006/12/28  
APPR: JMACNEIL 2006/12/28

QUALITY SYMBOLS  
 =0  
 <=0

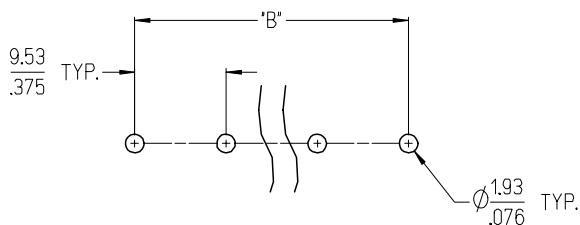
| GENERAL TOLERANCES (UNLESS SPECIFIED) |        |
|---------------------------------------|--------|
| mm                                    | INCH   |
| 4 PLACES ± ---                        | ± ---  |
| 3 PLACES ± ---                        | ± .005 |
| 2 PLACES ± 0.13                       | ± .01  |
| 1 PLACE ± 0.3                         | ± ---  |
| ANGULAR ± 2 °                         |        |

| DIMENSION STYLE |            |
|-----------------|------------|
| MM/IN           | DATE       |
| DRAWN BY        | C. YORK    |
| CHECKED BY      | J. MACNEIL |
| APPROVED BY     | J. MACNEIL |
| MATERIAL NO.    | SEE SHT. 2 |

| SCALE                                                                     | DESIGN UNITS | THIRD ANGLE PROJECTION |
|---------------------------------------------------------------------------|--------------|------------------------|
| 2:1                                                                       | INCH         |                        |
| TITLE<br>9.53MM [.375] SR BTS<br>ASSY, PC, CS WITH PADS &<br>HINGED COVER |              |                        |
| MOLEX INCORPORATED                                                        |              |                        |
| DOCUMENT NO.                                                              | SD-38759-006 | SHEET NO.<br>1 OF 2    |

10 9 8 7 6 5 4 3 2 1

| NO. OF CIRCUITS | DIM. "A" |      | DIM. "B" |       | DIM. "C" |       | DIM. "D" |      | ASSEMBLY MATERIAL NO. (STANDARD) | ASSEMBLY MATERIAL NO. (-50 OPT) |
|-----------------|----------|------|----------|-------|----------|-------|----------|------|----------------------------------|---------------------------------|
|                 | mm       | in   | mm       | in    | mm       | in    | mm       | in   |                                  |                                 |
| 02              | 37.5     | 1.48 | 9.53     | .375  | 28.58    | 1.125 | 20.9     | .82  |                                  | 387590373                       |
| 03              | 47.0     | 1.85 | 19.05    | .750  | 38.10    | 1.500 | 30.4     | 1.20 |                                  | 387590353                       |
| 04              | 56.5     | 2.23 | 28.58    | 1.125 | 47.63    | 1.875 | 39.9     | 1.57 |                                  |                                 |
| 05              | 66.0     | 2.60 | 38.10    | 1.500 | 57.15    | 2.250 | 49.5     | 1.95 |                                  |                                 |
| 06              | 75.6     | 2.98 | 47.63    | 1.875 | 66.68    | 2.625 | 59.0     | 2.32 |                                  |                                 |
| 07              | 85.1     | 3.35 | 57.15    | 2.250 | 76.20    | 3.000 | 68.5     | 2.70 |                                  |                                 |
| 08              | 94.6     | 3.73 | 66.68    | 2.625 | 85.73    | 3.375 | 78.0     | 3.07 |                                  | 387590348                       |
| 09              | 104.1    | 4.10 | 76.20    | 3.000 | 95.25    | 3.750 | 87.6     | 3.45 |                                  |                                 |
| 10              | 113.7    | 4.48 | 85.73    | 3.375 | 104.78   | 4.125 | 97.1     | 3.82 |                                  |                                 |
| 11              | 123.2    | 4.85 | 95.25    | 3.750 | 114.30   | 4.500 | 106.6    | 4.20 |                                  |                                 |
| 12              | 132.7    | 5.23 | 104.78   | 4.125 | 123.83   | 4.875 | 116.1    | 4.57 |                                  |                                 |



RECOMMENDED  
PCB LAYOUT

|             |                                                                                                                   |                       |                                                                                                                               |                                       |                    |       |                                                                  |                        |  |  |
|-------------|-------------------------------------------------------------------------------------------------------------------|-----------------------|-------------------------------------------------------------------------------------------------------------------------------|---------------------------------------|--------------------|-------|------------------------------------------------------------------|------------------------|--|--|
| SEE SHEET 1 | EC NO: ETC2007-0225<br>2006/12/19<br>DRWN: CLYORK<br>CHKD: JMACNEIL<br>2006/12/28<br>APPR: JMACNEIL<br>2006/12/28 | DESCRIPTION           | QUALITY SYMBOLS                                                                                                               | GENERAL TOLERANCES (UNLESS SPECIFIED) | DIMENSION STYLE    | SCALE | DESIGN UNITS                                                     | THIRD ANGLE PROJECTION |  |  |
|             |                                                                                                                   |                       | ▽=0                                                                                                                           | mm INCH                               | MM/IN              | 2:1   | INCH                                                             |                        |  |  |
|             |                                                                                                                   |                       | ▽=0                                                                                                                           | 4 PLACES ± --- ± ---                  | DRAWN BY DATE      | TITLE | 9.53MM [.375] SR BTS<br>ASSY, PC, CS WITH PADS &<br>HINGED COVER |                        |  |  |
|             |                                                                                                                   |                       |                                                                                                                               | 3 PLACES ± --- ± .005                 | C. YORK 2006/12/04 |       |                                                                  |                        |  |  |
|             | 2 PLACES ± 0.13 ± .01                                                                                             | CHECKED BY DATE       | MOLEX INCORPORATED                                                                                                            |                                       |                    |       |                                                                  |                        |  |  |
|             | 1 PLACE ± 0.3 ± ---                                                                                               | J. MACNEIL 2006/12/04 |                                                                                                                               |                                       |                    |       |                                                                  |                        |  |  |
|             | ANGULAR ± 2 °                                                                                                     | APPROVED BY DATE      | DOCUMENT NO.                                                                                                                  |                                       |                    |       |                                                                  |                        |  |  |
|             |                                                                                                                   | J. MACNEIL 2006/12/04 |                                                                                                                               |                                       |                    |       |                                                                  |                        |  |  |
|             |                                                                                                                   | MATERIAL NO.          | SHEET NO.                                                                                                                     |                                       |                    |       |                                                                  |                        |  |  |
|             |                                                                                                                   | SEE CHART             |                                                                                                                               |                                       |                    |       |                                                                  |                        |  |  |
|             |                                                                                                                   |                       | SD-38759-006                                                                                                                  |                                       |                    |       | 2 OF 2                                                           |                        |  |  |
|             |                                                                                                                   |                       | THIS DRAWING CONTAINS INFORMATION THAT IS PROPRIETARY TO MOLEX INCORPORATED AND SHOULD NOT BE USED WITHOUT WRITTEN PERMISSION |                                       |                    |       |                                                                  |                        |  |  |

9 8 7 6 5 4 3 2 1