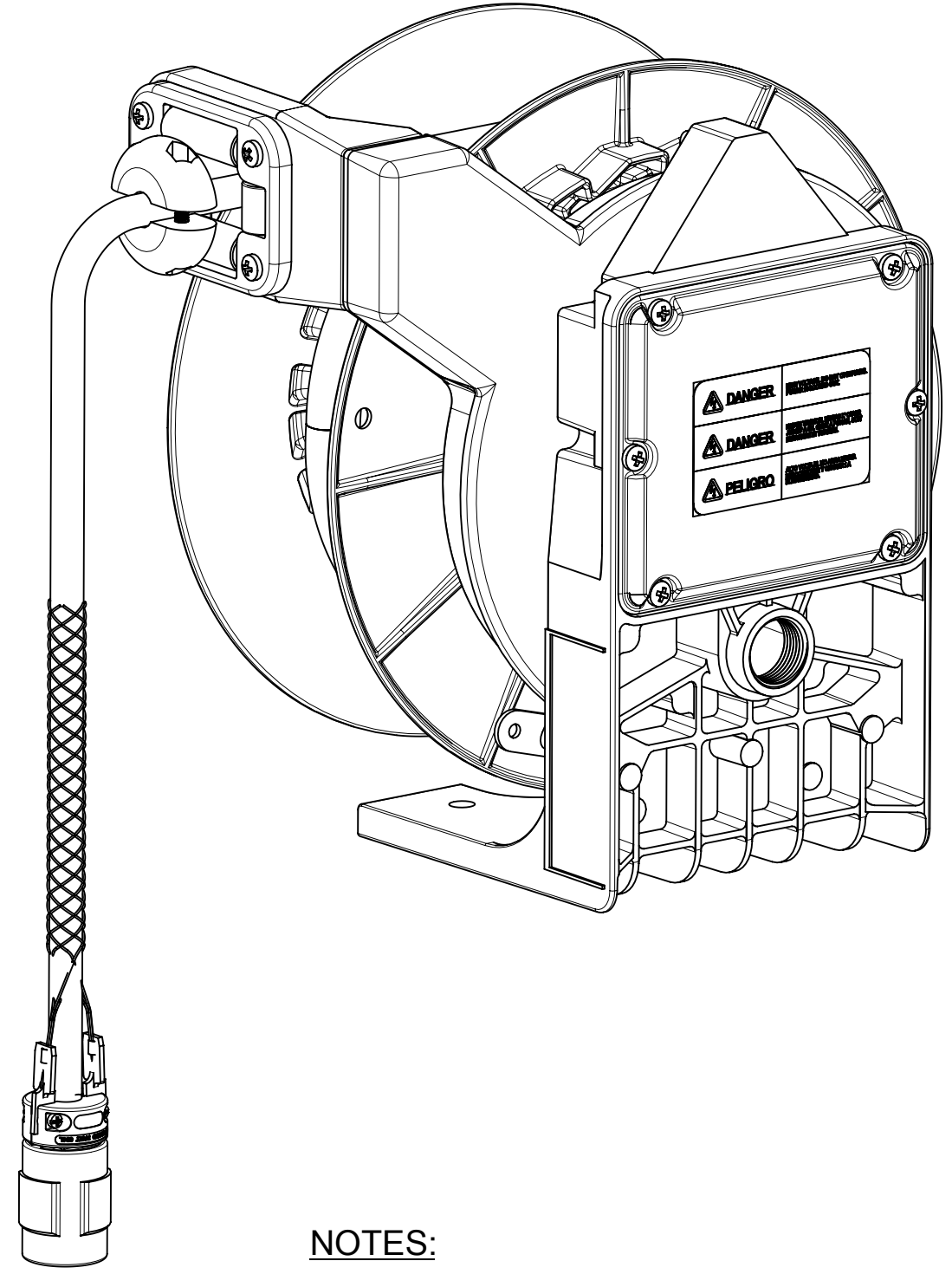
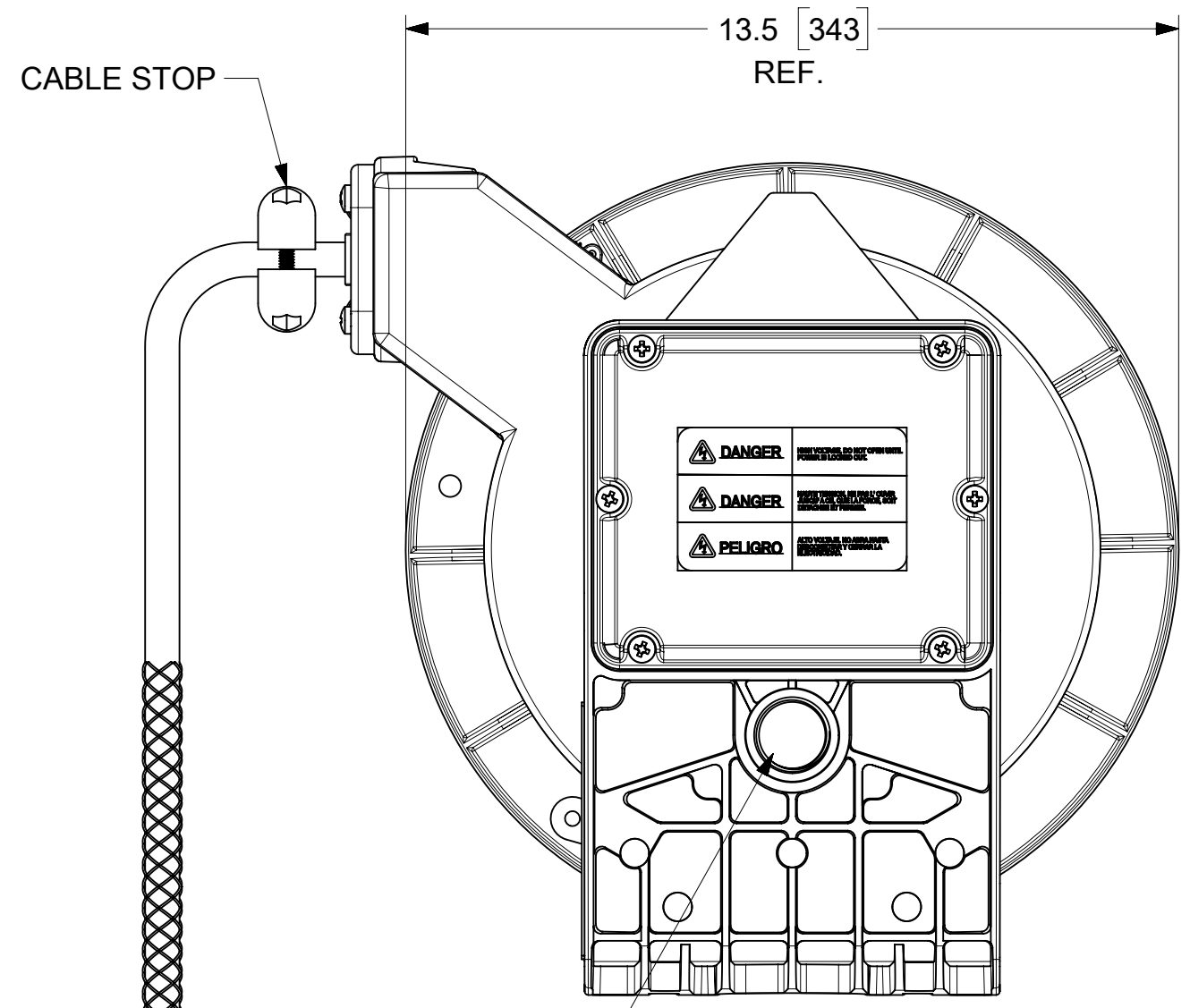
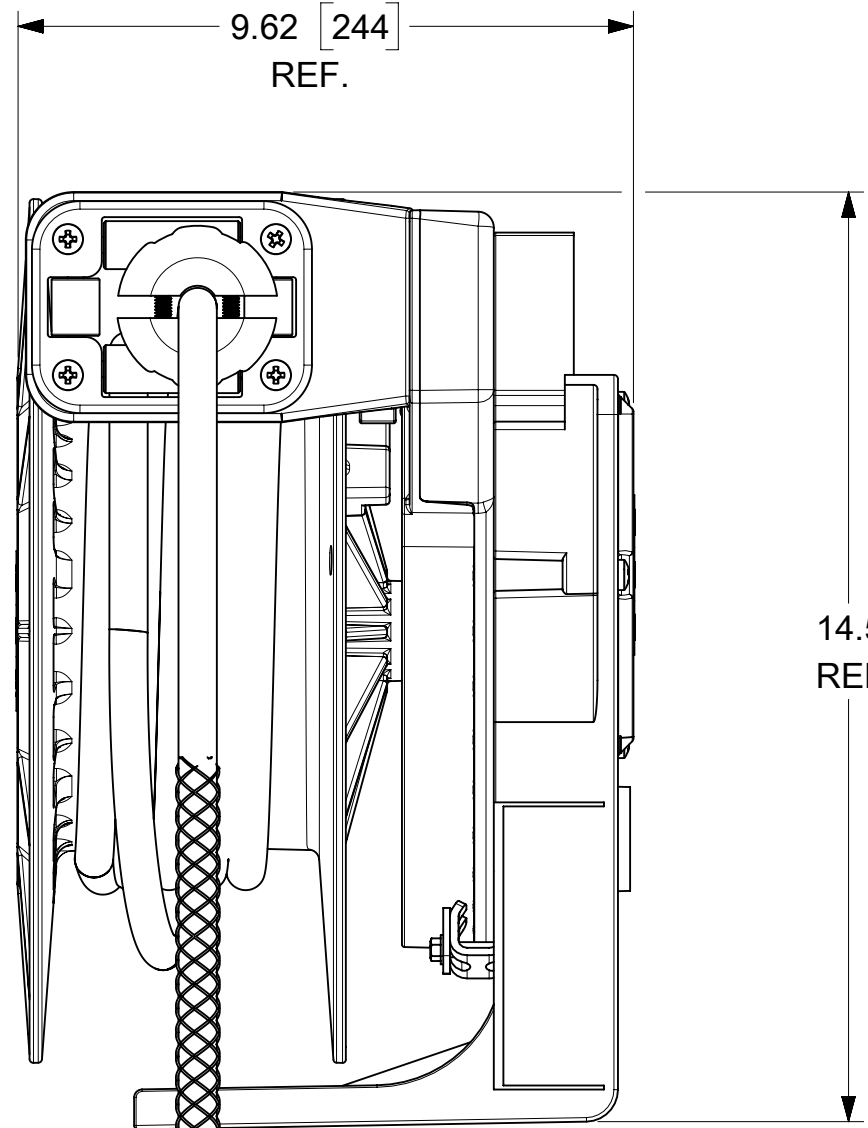
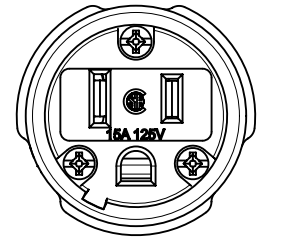


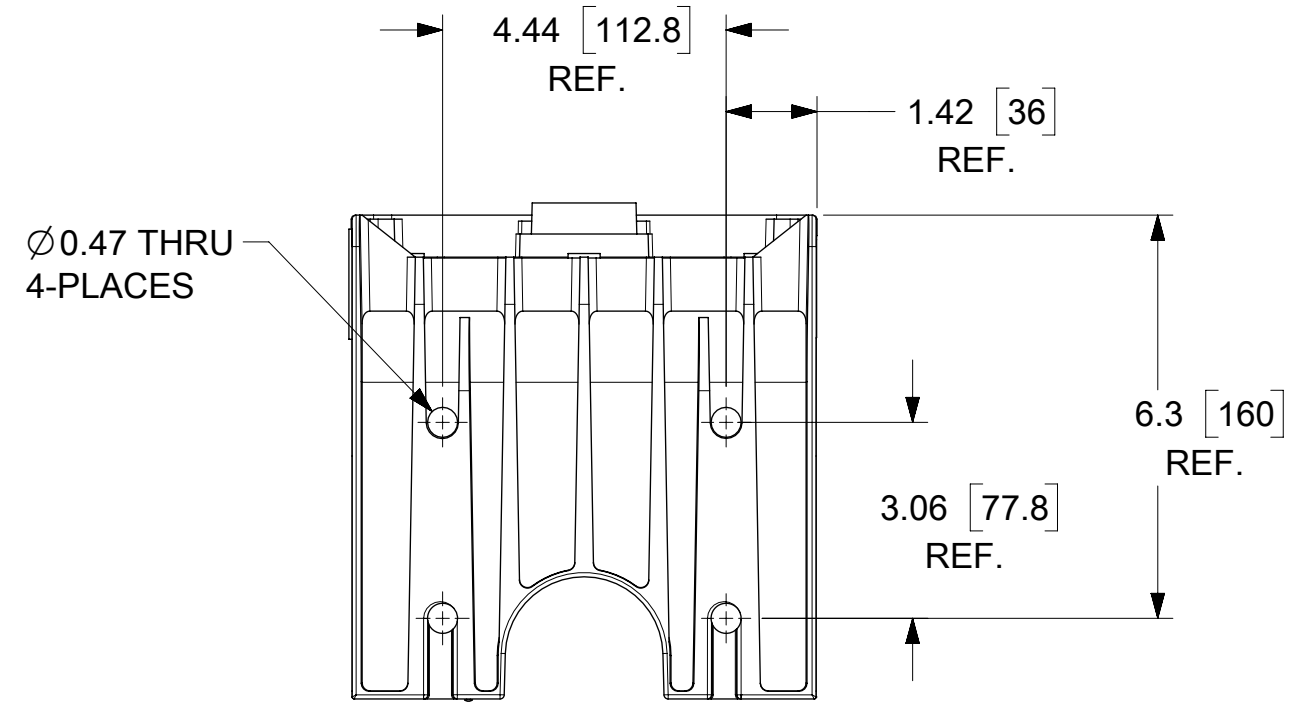
ORDER NO	130083-0266
WOODHEAD ENG. NO	9383-1547
WIRE GAUGE	12
CONDUCTORS	3
AMPERAGE	18A
WORKING CORD	25 FT, YELLOW
CORD TYPE	SOOW
CONSTRUCTION	HEAVY WALL CAST ALUMINUM
PAINT	YELLOW POWDER COAT
REEL ENCLOSURE RATING	NEMA 4 INDOOR / OUTDOOR
RETRACTION WEIGHT	4.0 LB [1.8 KG]



NEMA 5-15
ASSEMBLED CONNECTION
COLOR YELLOW



FACE VIEW OF
CONNECTOR



BOTTOM VIEW

PRE-RELEASE
REFERENCE
USE ONLY

NOTES:

1. CABLE GUIDE IS ADJUSTABLE EVERY 5 DEGREES OVER 270 DEGREE ARC.
2. RATCHET LOCK IS EASY TO DISENGAGE FOR CONSTANT TENSION.
3. REEL CANNOT BE "LOCKED OUT" AT FULL EXTENSION.
4. CABLE STOP ADDED

FUNCTIONAL SYMBOLS	THIS DRAWING CONTAINS INFORMATION THAT IS PROPRIETARY TO MOLEX ELECTRONIC TECHNOLOGIES, LLC AND SHOULD NOT BE USED WITHOUT WRITTEN PERMISSION			CURRENT REV DESC: RELEASE CUSTOMER DRAWING		
	FA = 0	INCH/MM	SCALE	NTS		
DIVISIONAL SYMBOLS	GENERAL TOLERANCES (UNLESS SPECIFIED)			EC NO: 674791		
	FE = 0	MM	INCH	DRWN: VHANDI	2020/07/24	2022/06/01
FP = 0	4 PLACES ±	±	CHK'D: DSOPPIN	APPR:		
		3 PLACES ±	± 0.005	INITIAL REVISION:		
		2 PLACES ±	± 0.13 ± 0.01	DRWN: VHANDI	2020/07/24	
		1 PLACE ±	± 0.25 ± 0.02	APPR:		
		0 PLACES ±	±	ANGULAR TOL ± 0.5°		
		DRAFT WHERE APPLICABLE MUST REMAIN WITHIN DIMENSIONS		THIRD ANGLE PROJECTION	DRAWING	SERIES
					C-SIZE	130083
DOCUMENT STATUS		RV	RELEASE DATE	MATERIAL NUMBER		
				SEE TABLE	CUSTOMER	SHEET NUMBER
				1300830266	GENERAL MARKET	1 OF 1

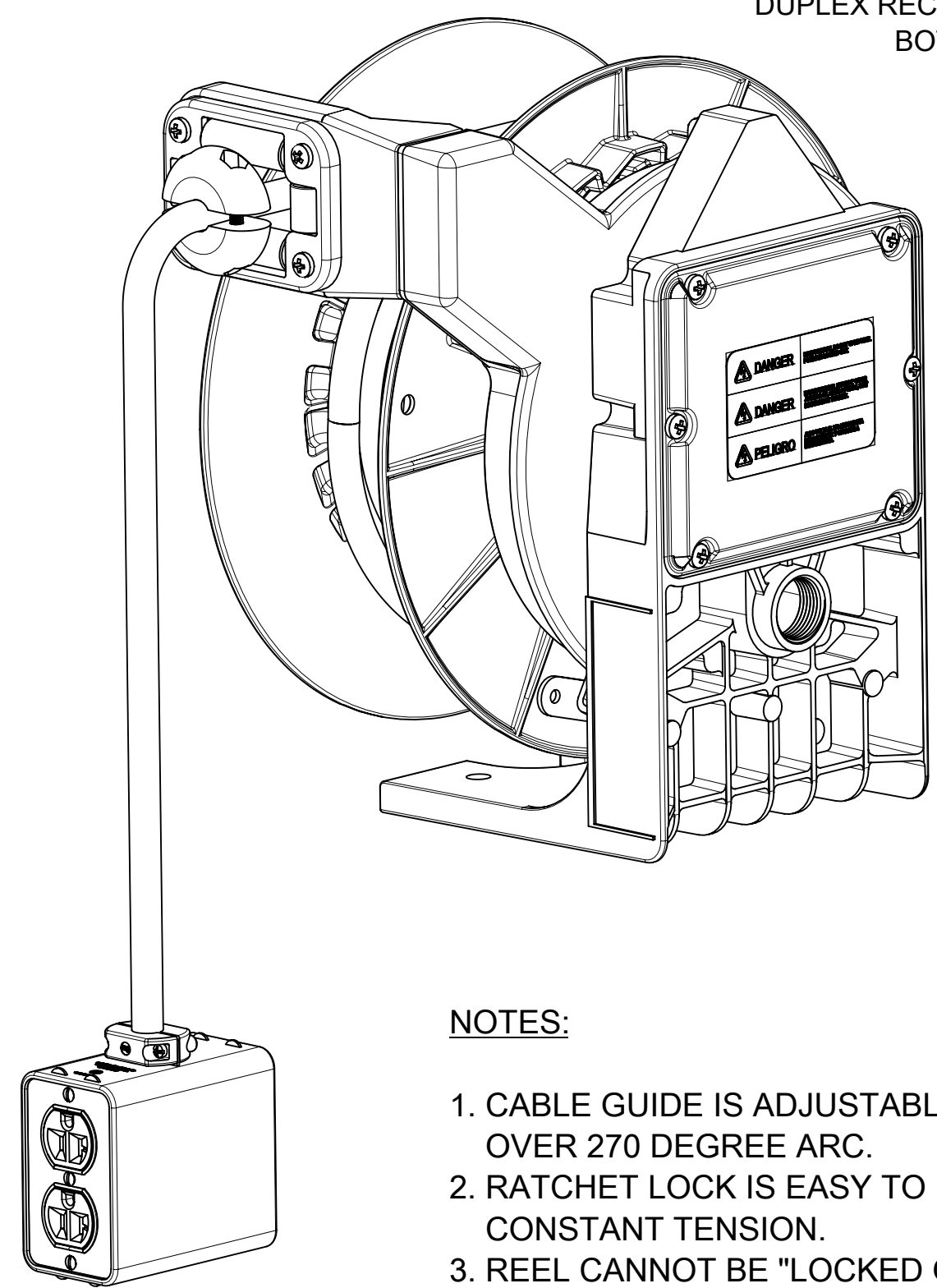
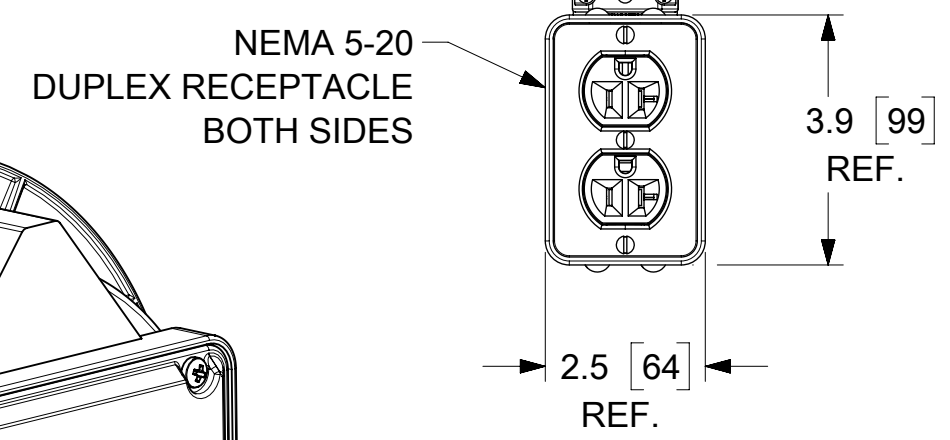
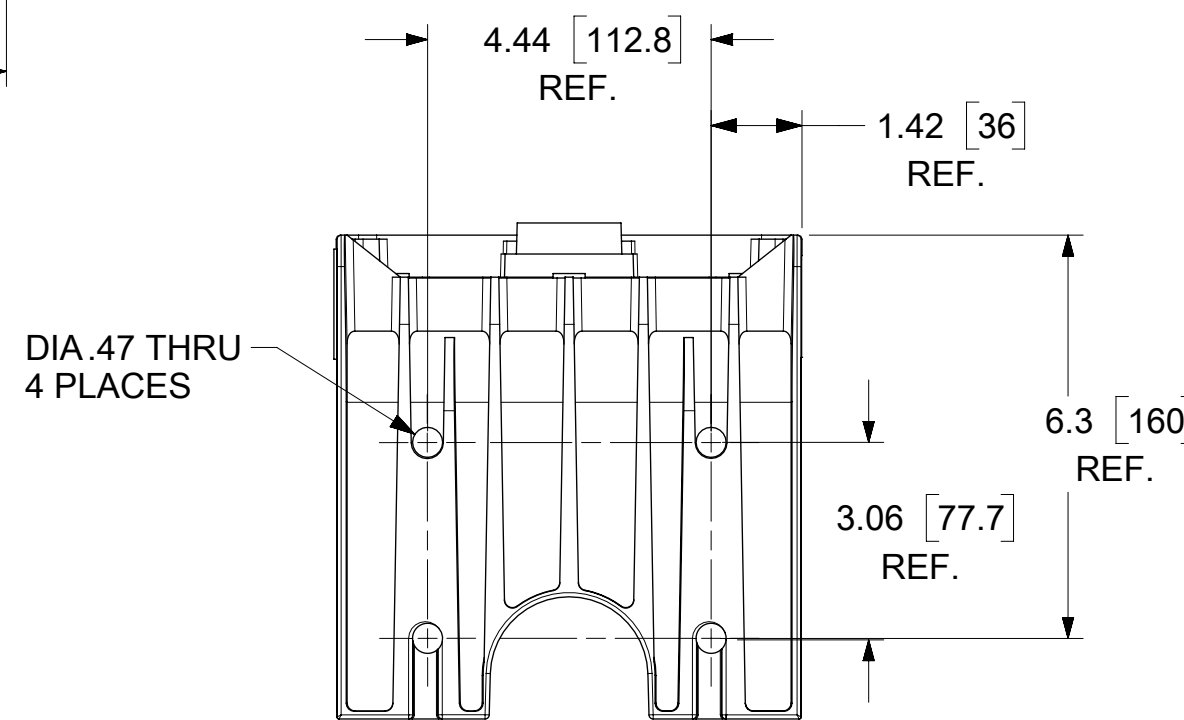
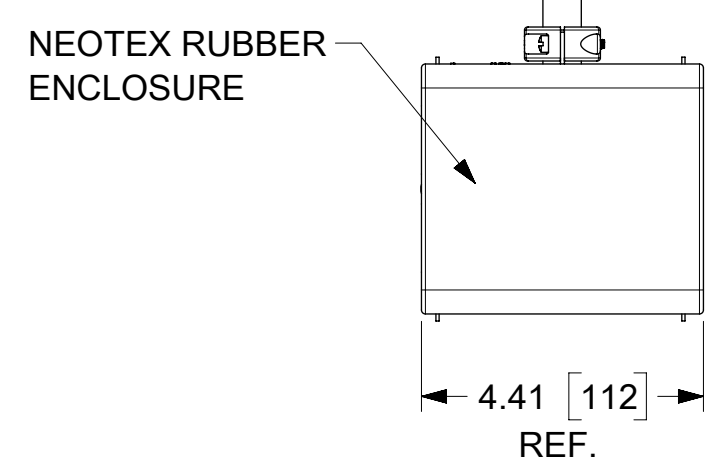
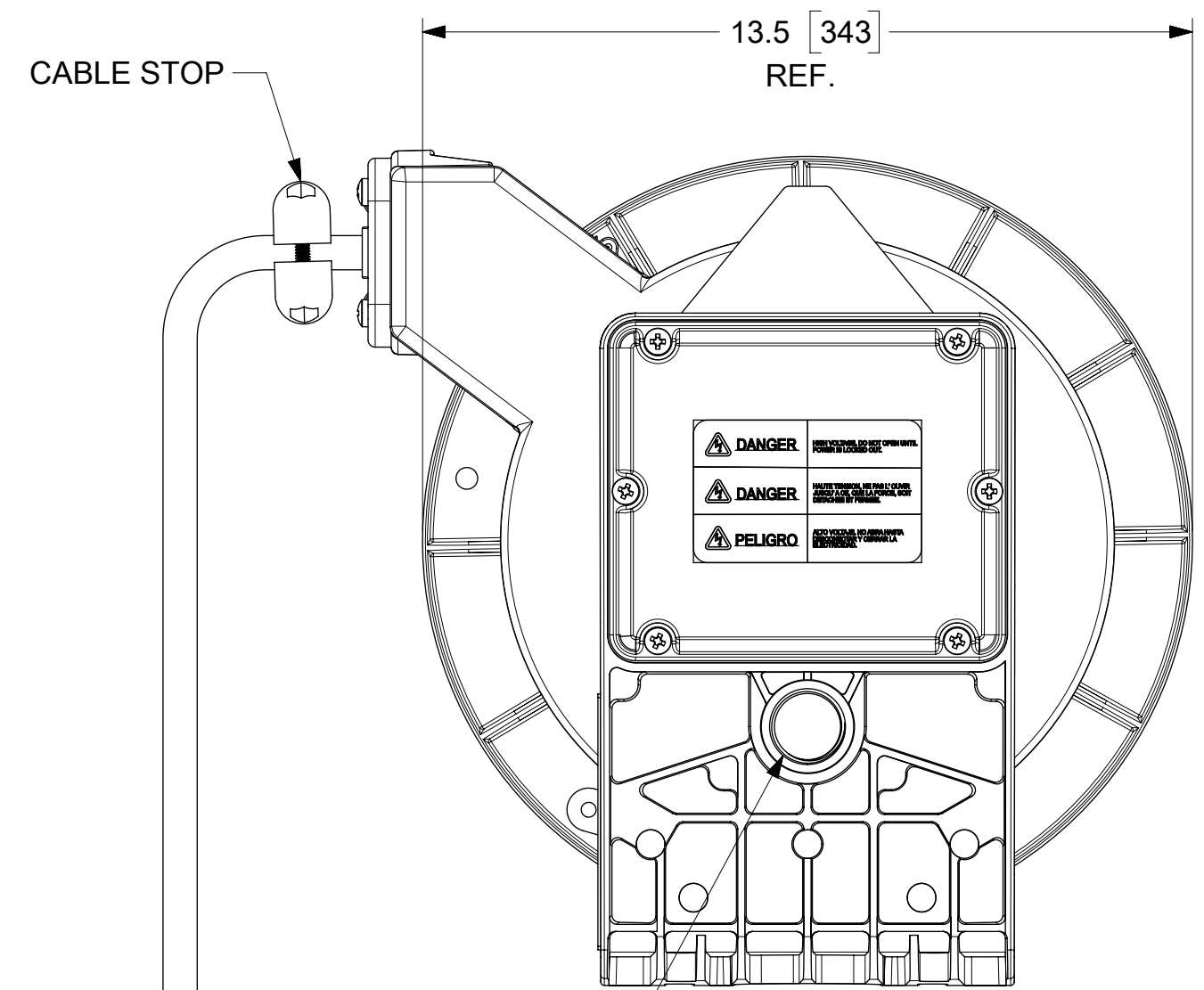
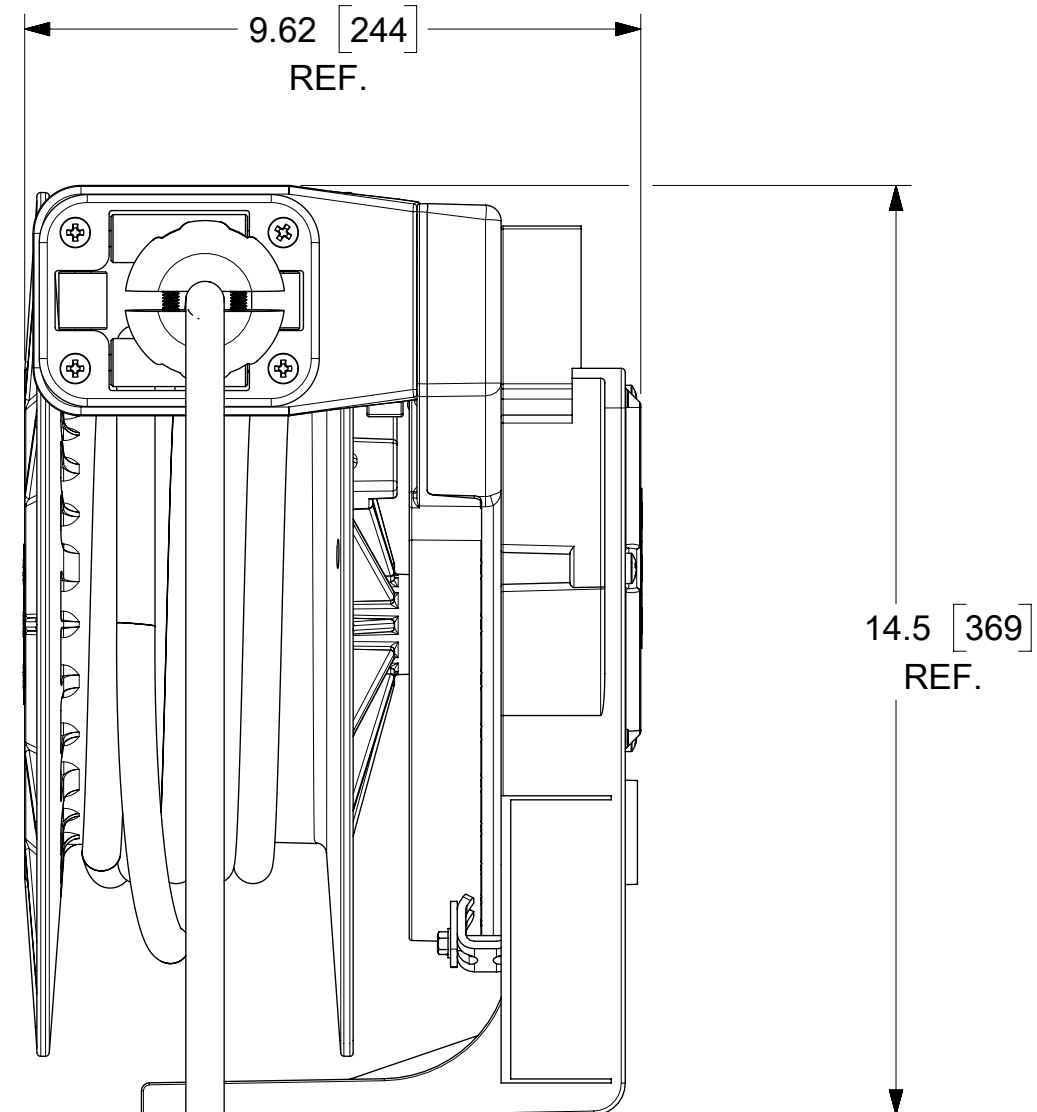
molex

CORD REEL - INDUSTRIAL DUTY 25' #12-3
SOOW W/ NEMA 5-15 CONNECTOR

PRODUCT CUSTOMER DRAWING

DOCUMENT NUMBER: 1300830266
DOC TYPE: PSD
DOC PART: 000
REVISION: A

ORDER NO	130083-0271
WOODHEAD ENG. NO	9383-3080
WIRE GAUGE	12
CONDUCTORS	3
AMPERAGE	18A
WORKING CORD	25 FT, YELLOW
CORD TYPE	SOOW
CONSTRUCTION	HEAVY WALL CAST ALUMINUM
PAINT	YELLOW POWDER COAT
REEL ENCLOSURE RATING	NEMA 4 INDOOR / OUTDOOR
RETRACTION WEIGHT	4.0 LB [1.8 KG]



- NOTES:**
1. CABLE GUIDE IS ADJUSTABLE EVERY 5 DEGREES OVER 270 DEGREE ARC.
 2. RATCHET LOCK IS EASY TO DISENGAGE FOR CONSTANT TENSION.
 3. REEL CANNOT BE "LOCKED OUT" AT FULL EXTENSION.
 4. CABLE STOP IS INCLUDED.

FUNCTIONAL SYMBOLS	THIS DRAWING CONTAINS INFORMATION THAT IS PROPRIETARY TO MOLEX ELECTRONIC TECHNOLOGIES, LLC AND SHOULD NOT BE USED WITHOUT WRITTEN PERMISSION			CURRENT REV DESC: RELEASE CUSTOMER DRAWING							
	DIMENSION UNITS	SCALE									
$F_A = 0$	INCH/MM	NTS									
$F_C = 0$	GENERAL TOLERANCES (UNLESS SPECIFIED)										
$F_D = 0$		MM	INCH								
DIVISIONAL SYMBOLS	4 PLACES	±	±	EC NO: 674791							
	3 PLACES	±	± 0.005	DRWN: VHANDI 2020/07/24							
	2 PLACES	± 0.13	± 0.01	CHK'D: DSOPPIN 2022/06/01							
	1 PLACE	± 0.25	± 0.02	APPR: HKNEELAND 2022/06/03							
	0 PLACES	±	±	INITIAL REVISION:							
	ANGULAR TOL	± 0.5°		DRWN: MCHOJECK 2011/07/18							
				APPR: DTITUS 2011/09/02							
DRAFT WHERE APPLICABLE MUST REMAIN WITHIN DIMENSIONS				THIRD ANGLE PROJECTION	DRAWING	SERIES	DOCUMENT NUMBER	DOC TYPE	DOC PART	REVISION	
					C-SIZE	130083	SD-130083-037	PSD	001	A1	
DOCUMENT STATUS				MATERIAL NUMBER		CUSTOMER		SHEET NUMBER			
P1				SEE TABLE		GENERAL MARKET		1 OF 1			
RELEASE DATE		2022/06/03 14:26:17									