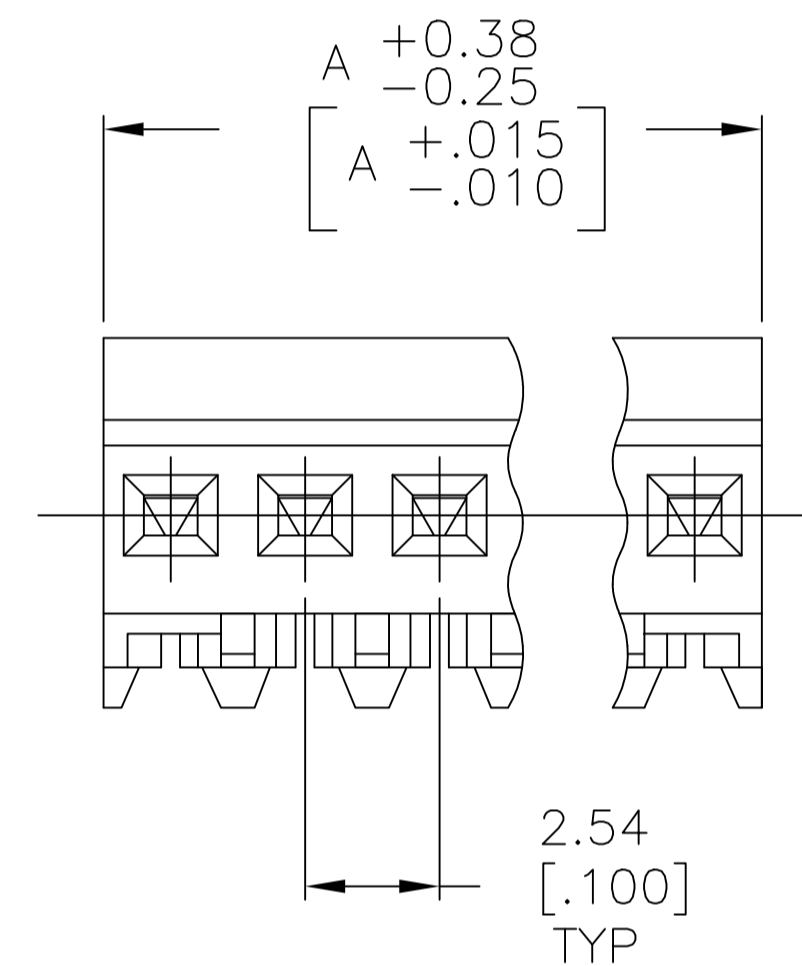
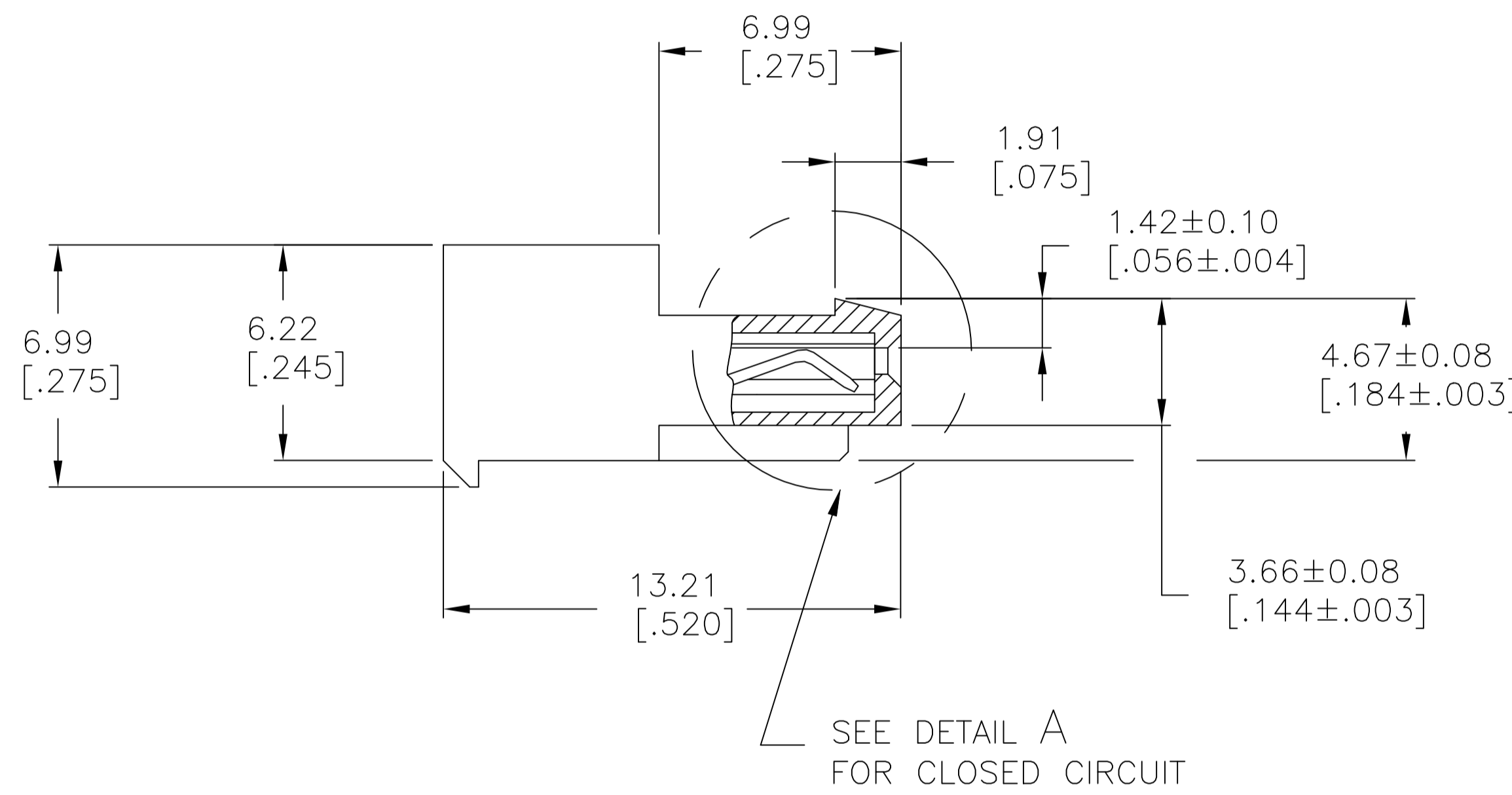
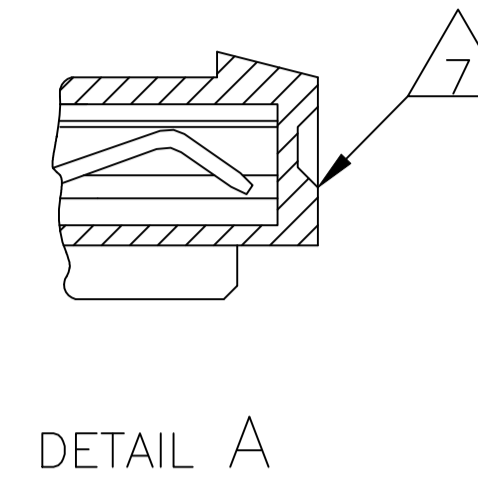
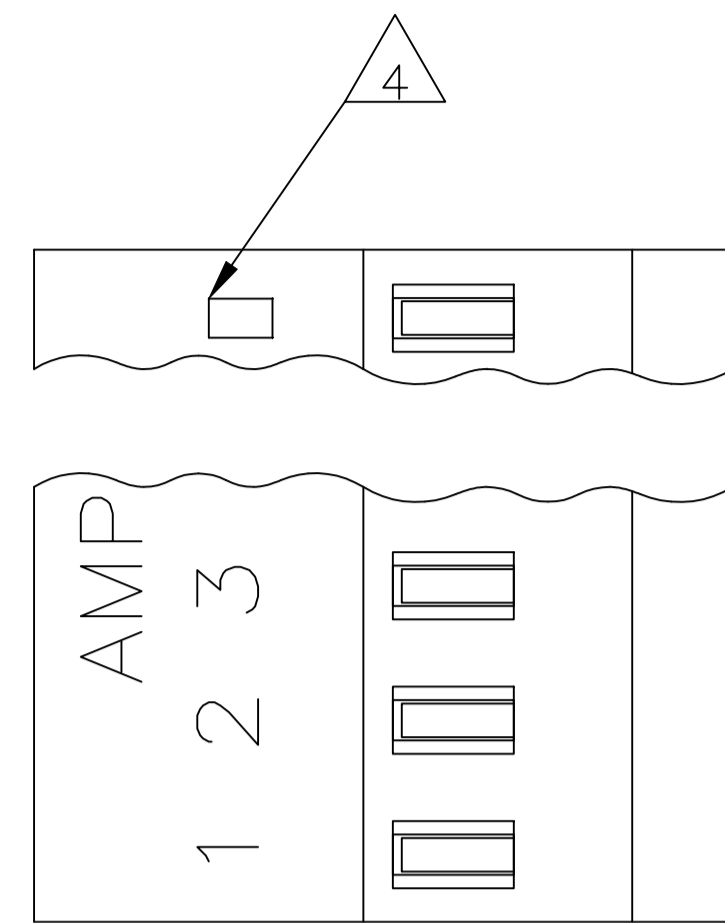


THIS DRAWING IS UNPUBLISHED. RELEASED FOR PUBLICATION
 © COPYRIGHT - TE Connectivity Ltd. ALL RIGHTS RESERVED.

REVISIONS				
P	LTR	DESCRIPTION	DATE	DWN APVD
	K	REVISED PER ECR-17-018757	25APR2018	BDA SG



FINISH	DIM A	NO OF CIRCUITS	PART NO
TIN	17.78 [.700]	7	3-643586-7
TIN-LEAD	17.78 [.700]	7	-643586-7-

- 1 MATERIAL: CONNECTOR - NYLON UL94V-2 (WHITE).
CONTACTS - 0.30[.012] THICK COPPER ALLOY
MATTE WHISKER MITIGATED TIN
0.00203[.000080] MIN THICKNESS
OVER NICKEL UNDERPLATE OR BRIGHT
TIN-LEAD 93/7 0.00203[.000080] MIN
THICKNESS. SEE FINISH COLUMN FOR
PLATING TYPE.
- 2. CONTACTS ACCEPT 24 AWG WIRE WITH 1.52[.060] MAX
INSULATION DIAMETER.
- 3. CONTACTS MUST ACCEPT 0.64±0.03[.025±.001]
POST AND REMAIN LOCKED IN POSITION.
- 4 IDENTIFICATION NUMBER FOR LAST CIRCUIT MAY
NOT APPEAR ON ALL ASSEMBLIES.
- 5. DIMENSIONS IN BRACKETS ARE IN INCHES.
- 6. HOUSING FEATURES ARE: CLOSED END WITH LOCKING RAMP.
- 7 DETAIL A SHOWS CIRCUIT NO.4 MOLDED CLOSED.
- 8 OBSOLETE PARTS

8 SUPERSEDED

THIS DRAWING IS A CONTROLLED DOCUMENT.		DWN B. LEWIS 22APR91	TE Connectivity Ltd.	
DIMENSIONS: mm [INCHES]		CHK R. SWING 22APR91		
TOLERANCES UNLESS OTHERWISE SPECIFIED:		APVD G. MILLER 22APR91	NAME MTA-100 CONNECTOR ASSEMBLY, 24 AWG, NO.4 CIRCUIT CLOSED, SPECIAL	
0 PLC ± - 1 PLC ± - 2 PLC ± - 3 PLC ± .13[.005] 4 PLC ± - ± - ANGLES ± - ± -		PRODUCT SPEC 108-1050	RESTRICTED TO -	
MATERIAL 1		APPLICATION SPEC 114-1019	SIZE A2	CAGE CODE 00779
FINISH 1		WEIGHT	DRAWING NO C=643586	SCALE 5:1
		CUSTOMER DRAWING	SHEET 1 of 1	REV K