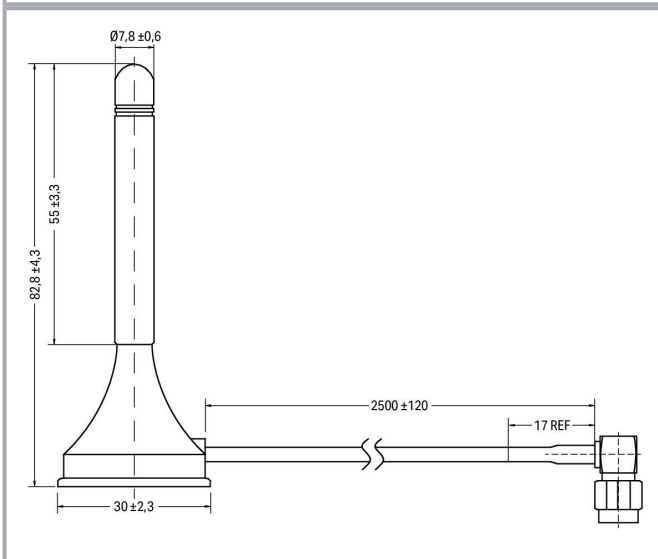
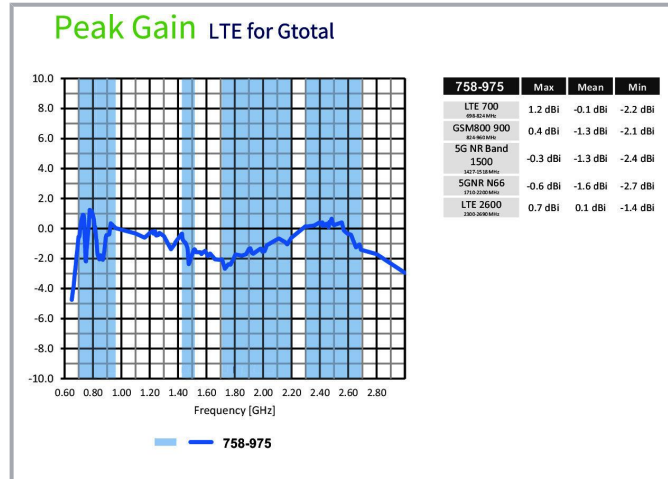
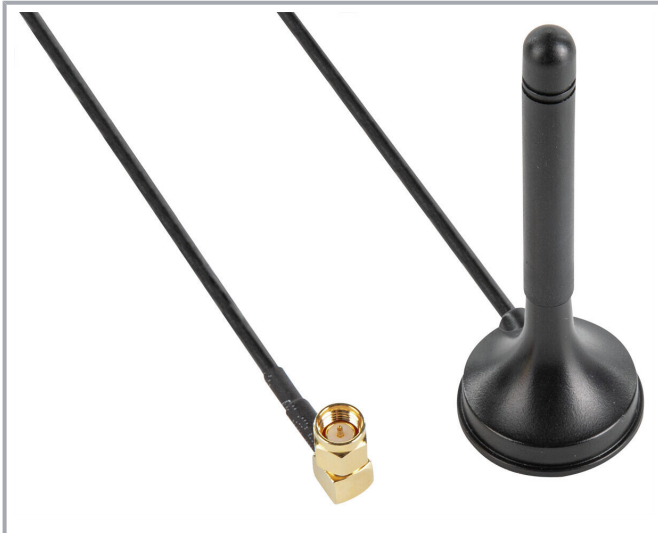


Data sheet | Item number: 758-975

Magnetic foot antenna; with 2.5m cable and SMA plug; GSM/ UMTS/ LTE/ Bluetooth®/ WLAN; 698-960, 1710-6000 MHz

www.wago.com/758-975



Data

Technical data

Radio technology

GSM
UMTS
LTE

Subject to changes. Please also observe the further product documentation!

WAGO GmbH & Co. KG

Hansastr. 27

32423 Minden

Phone: +49571 887-0 | Fax: +49571 887-169

Email: info.de@wago.com | Web: www.wago.com

Do you have any questions about our products?

We are always happy to take your call at +49 (571) 887-44222.



Bluetooth®

WLAN

Frequency band	B1 ... B23; B25 ... B30; B32 ... B42; B48; B66; B74 ... 76; B78; Frequency range: 698 ... 960 MHz; 1400 ... 1518 MHz; 1710 ... 2700 MHz
Gain	3 dBi

Mechanical Data

Mounting type	Magnetic stand
Cable type	RG-174
Connector	SMA-Winkelstecker
Length of connection cable	2.5 m

Material Data

Weight	44 g
--------	------

Environmental requirements

Ambient temperature (operation)	-40 ... +85 °C
---------------------------------	----------------

Commercial data

ETIM 8.0	EC001698
ETIM 7.0	EC001698
PU (SPU)	1 pcs
Packaging type	bag
Country of origin	TW
GTIN	4055143996945
Customs tariff number	85177100000

Environmental Product Compliance

RoHS Compliance Status	Compliant, No Exemption
------------------------	-------------------------

Downloads

Documentation

Additional Information

Disposal and Recycling	V 1.1.0	pdf	Download
Electrical and electronic equipment, Batteries, Packaging	2022 Aug 18	2.2 MB	

Subject to changes. Please also observe the further product documentation!

WAGO GmbH & Co. KG
Hansastr. 27
32423 Minden
Phone: +49571 887-0 | Fax: +49571 887-169
Email: info.de@wago.com | Web: www.wago.com

Do you have any questions about our products?
We are always happy to take your call at +49 (571) 887-44222.



Radiation Pattern

pdf
606.9 kB

Download

Environmental Product Compliance

Compliance Search

Environmental Product Compliance 758-975

URL

Download

Magnetic foot antenna; with 2.5m cable and SMA plug; GSM/ UMTS/ LTE/ Bluetooth®/
WLAN; 698-960, 1710-6000 MHz

Installation Notes

Subject to changes. Please also observe the further product documentation!

WAGO GmbH & Co. KG

Hansastr. 27

32423 Minden

Phone: +49571 887-0 | Fax: +49571 887-169

Email: info.de@wago.com | Web: www.wago.com

Do you have any questions about our products?

We are always happy to take your call at +49 (571) 887-44222.