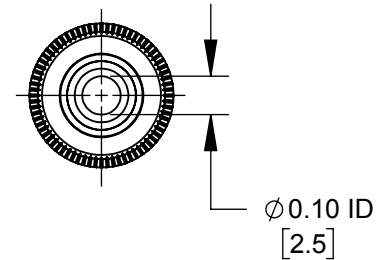
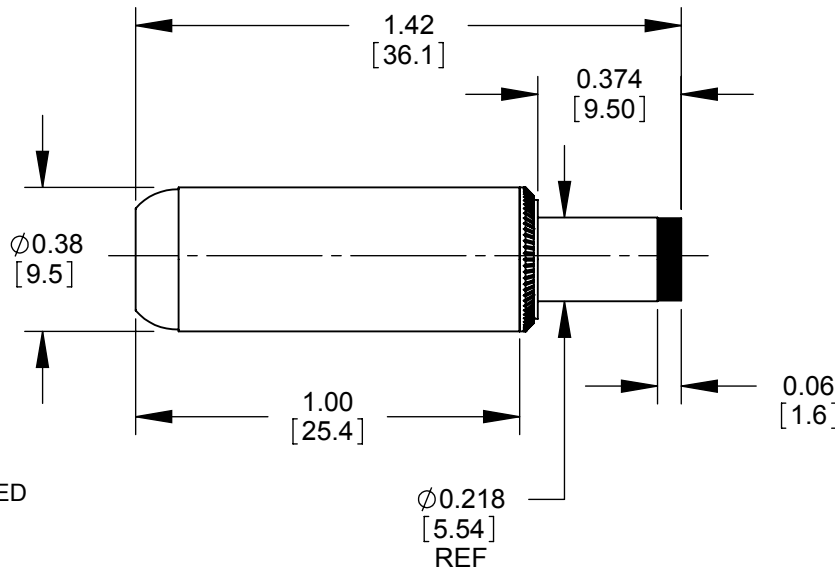
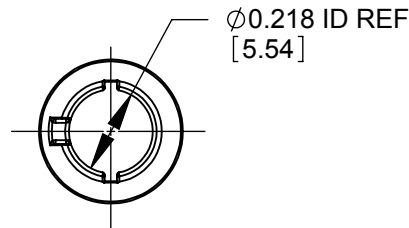
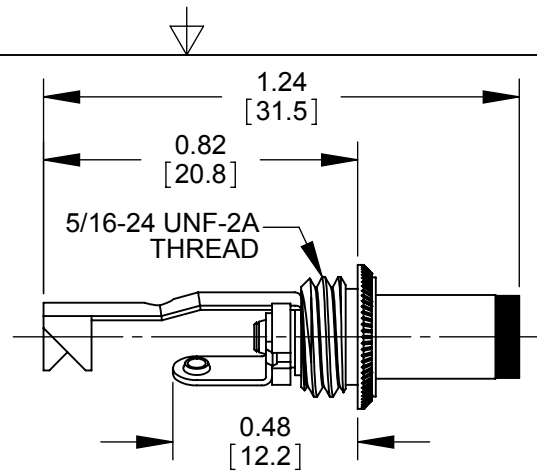
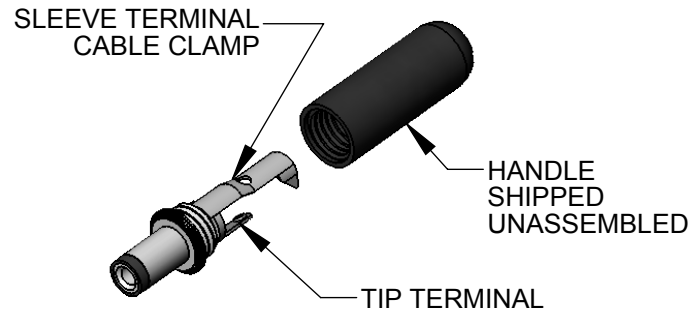


PART NUMBER	HANDLE COLOR
760H	BLACK
765H	RED



NOTES:

- MATERIALS:  
 CONDUCTORS - COPPER ALLOY, NICKEL PLATED  
 TERMINALS - COPPER ALLOY, TIN PLATED  
 INSULATORS, HANDLE - THERMOPLASTIC
- THIS PRODUCT IS RoHS COMPLIANT.

**CUSTOMER DRAWING**

					THIS DRAWING DESCRIBES A DESIGN CONSIDERED PROPRIETARY IN NATURE, DEVELOPED AND MANUFACTURED BY SWITCHCRAFT INC. AND IS RELEASED ON A CONFIDENTIAL BASIS FOR IDENTIFICATION PURPOSES ONLY.						
					SIZE	WIDTH	MULT	LBS/M	TEMPER		
					UNLESS OTHERWISE SPECIFIED			FINISH			
					1. ALL DIMENSIONS IN INCHES [mm]			MATERIAL			
					- TWO PLACE DECIMALS ±0.02 [0.5]			SPEC No.			
					- THREE PLACE DECIMALS ±0.005 [0.13]			SCALE			
					FIRST USED ON			2:1			
A	27941	09/06/17	PC	TJK	DATE DRAWN	BY	CHKD	APVD	<b>Switchcraft®</b>		
REV	ECO NUMBER	DATE	BY	APVD	6-27-16	PNK	PNK	SRC			
REVISIONS					DO NOT SCALE DRAWING					SHEET 1 OF 1	
					NAME Ø0.10 [2.5]mm x 0.374 LONG HT POWER PLUG, RoHS					PART No. 760H-765H	REV A