

Würth Elektronik eiSos GmbH & Co. KG

EMC & Inductive Solutions

Max-Eyth-Straße 1 · 74638 Waldenburg · Germany

Tel. +49 (0) 79 42 945-0 · Fax +49 (0) 79 42 945-400

eiSos@we-online.de · www.we-online.de



Product / Process Change Notification (PCN)

- Major change
 Minor change

PCN #: PCN_WCAP-PHSE_20210614

Affected Series: WCAP-PHSE

PCN Date: March 15, 2021

Effective Date: June 14, 2021

Change Category:

- Equipment / Location
 General Data
 Material
 Process
 Product Design
 Shipping / Packaging
 Supplier
 Software

Contact: Product Management

Phone: +49 (0) 7942 - 945 5001

Fax: +49 (0) 7942 - 945 5179

E-Mail: pcn.eisos@we-online.com

Data Sheet Change:

Yes No

Attachment:

Yes No

DESCRIPTION AND PURPOSE OF CHANGE:

Due to database mismatches, Würth Elektronik is going to correct the datasheets of the product series WCAP-PHSE.

All products affected by changes are listed below.

This is a datasheet correction only. There will be no change in form, fit, function, quality or reliability of the product.

DETAIL OF CHANGE:

- Würth Elektronik corrects the tape packaging specification for all products of WCAP-PHSE:

Würth Elektronik eiSos GmbH & Co. KG

EMC & Inductive Solutions

Max-Eyth-Straße 1 · 74638 Waldenburg · Germany

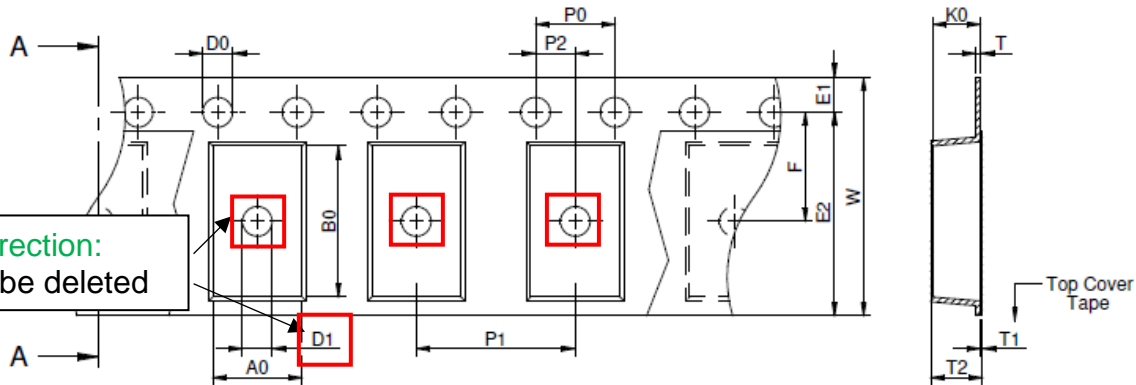
Tel. +49(0)79 42 945-0 · Fax +49(0)79 42 945-400

eiSos@we-online.de · www.we-online.de

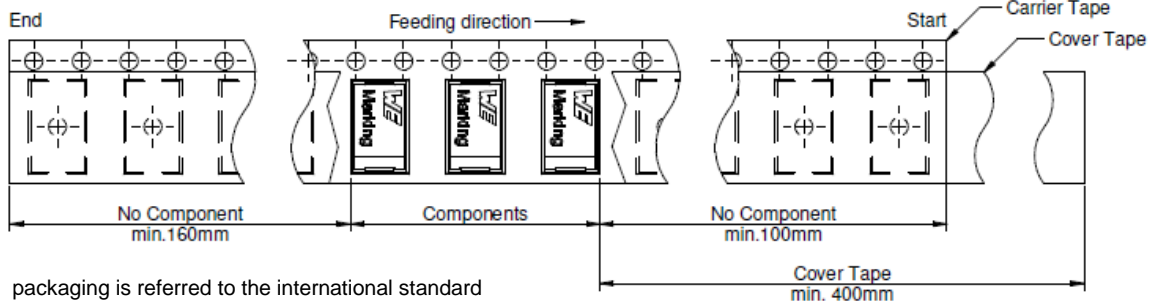


Before correction:

Packaging Specification - Tape and Reel: [mm]



After correction:
This will be deleted



packaging is referred to the international standard IEC 60286-2

| Tape Type | A0 (mm) | B0 (mm) | W (mm) | T (mm) | T1 (mm) | T2 (mm) | K0 (mm) | P0 (mm) | P1 (mm) | P2 (mm) | D0 (mm) | D1 (mm) | E1 (mm) | E2 (mm) | F (mm) | Material | Qty. (pcs.) |
|-----------|---------|---------|------------|--------|---------|---------|---------|---------|---------|---------|------------|---------|---------|---------|--------|-------------|-------------|
| | typ. | typ. | +0,3/ -0,1 | ref. | max. | typ. | typ. | ±0,1 | ±0,1 | ±0,05 | +0,1/ -0,0 | min. | ±0,1 | min. | ±0,05 | | |
| 2a | 4,50 | 7,60 | 12,00 | | 0,10 | | 2,40 | 4,00 | 8,00 | 2,00 | 1,50 | 1,50 | 1,75 | 10,25 | 5,50 | Polystyrene | 3500 |

Würth Elektronik eiSos GmbH & Co. KG

EMC & Inductive Solutions

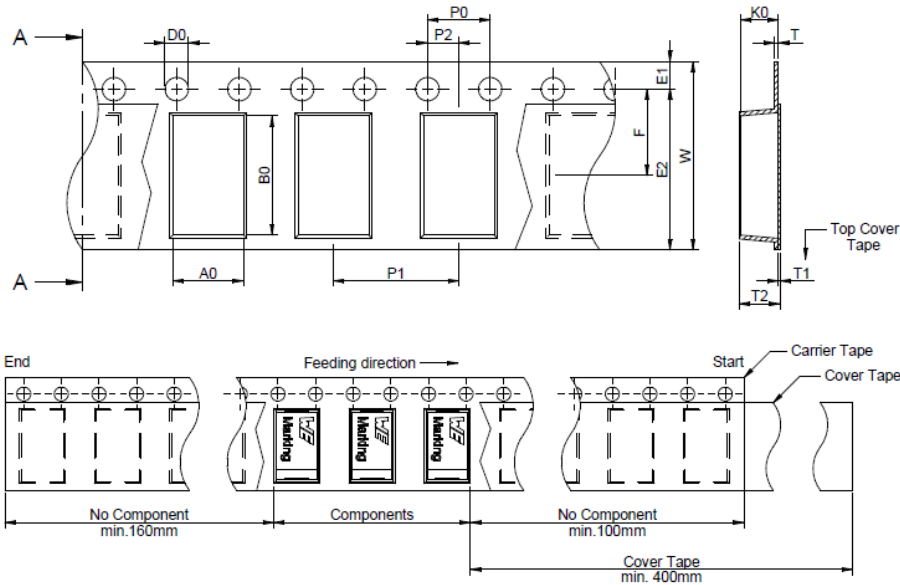
Max-Eyth-Straße 1 · 74638 Waldenburg · Germany

Tel. +49(0)79 42 945-0 · Fax +49(0)79 42 945-400

eiSos@we-online.de · www.we-online.de



After correction:



packaging is referred to the international standard IEC 60286-3

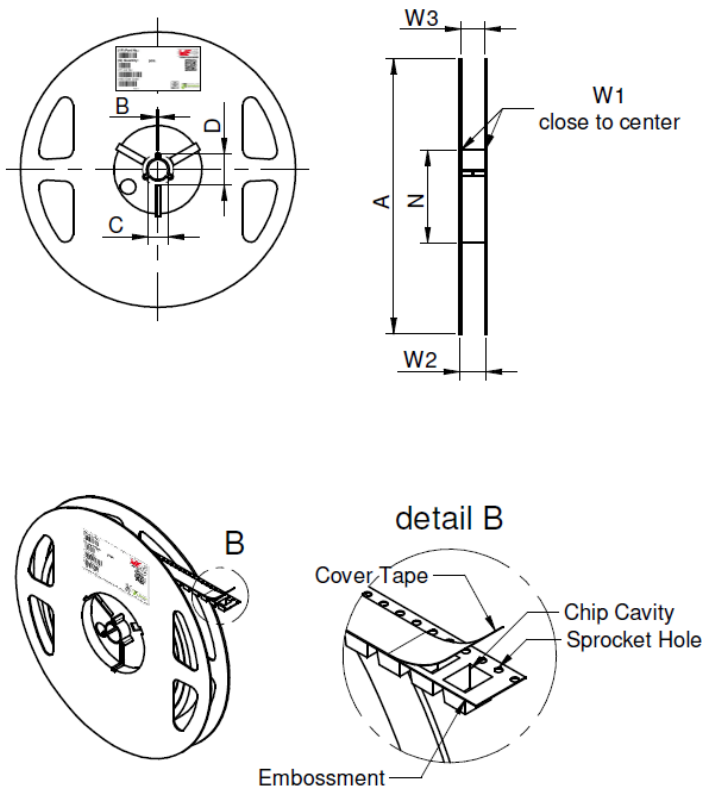
Specification after correction:

| Tape Type | A0 (mm) | B0 (mm) | W (mm) | T (mm) | T1 (mm) | T2 (mm) | K0 (mm) |
|-----------|---------|---------|------------|--------|---------|---------|---------|
| | typ. | typ. | +0,3/ -0,1 | typ. | typ. | typ. | typ. |
| 2a | 4,50 | 7,60 | 12,00 | 0,30 | 0,05 | 2,55 | 2,40 |

| P0 (mm) | P1 (mm) | P2 (mm) | D0 (mm) | E1 (mm) | E2 (mm) | F (mm) | Material | Qty. (pcs.) |
|---------|---------|---------|------------|---------|---------|--------|-------------|-------------|
| ±0,1 | ±0,1 | ±0,05 | +0,1/ -0,0 | ±0,1 | min. | ±0,05 | | |
| 4,00 | 8,00 | 2,00 | 1,50 | 1,75 | 10,25 | 5,50 | Polystyrene | 3500 |

- Würth Elektronik corrects the reel packaging specification for all products of WCAP-PHSE:

Before correction:



| A (mm) | B (mm) | C (mm) | D (mm) | N (mm) | W1 (mm) | W2 (mm) | W3 (mm) | W3 (mm) | Material |
|--------|--------|--------|--------|--------|---------|---------|---------|---------|---------------------------|
| ± 2,0 | min. | min. | min. | min. | + 2,0 | max. | min. | max. | |
| 330,00 | 1,50 | 12,80 | 20,20 | 60,00 | 12,40 | 18,40 | 11,90 | 15,40 | Polystyrene/ Polyurethane |

Specification after correction:

| | A (mm) | B (mm) | C (mm) | D (mm) | N (mm) | W1 (mm) | W2 (mm) | W3 (mm) | W3 (mm) | Material |
|-------|--------|--------|--------|--------|--------|---------|---------|---------|---------|--------------|
| Tol. | ± 2,0 | min. | min. | min. | typ. | + 2,0 | max. | min. | max. | |
| Value | 330,00 | 1,50 | 12,80 | 20,20 | 80,00 | 12,40 | 18,40 | 11,90 | 15,40 | Poly-styrene |

- We also add the specification for the inner and outer carton to the datasheets. Please have a look at the new datasheet.

Würth Elektronik eiSos GmbH & Co. KG

EMC & Inductive Solutions

Max-Eyth-Straße 1 · 74638 Waldenburg · Germany

Tel. +49 (0) 79 42 945-0 · Fax +49 (0) 79 42 945-400

eiSos@we-online.de · www.we-online.de



- Würth Elektronik adds the ripple current multiplier for lower frequencies for all products of WCAP-PHSE:

Before

Multiplier for Ripple Current vs. Frequency

| Frequency | Multiplier |
|---------------------------|------------|
| 10 kHz ≤ freq. < 20 kHz | 0.6 |
| 20 kHz ≤ freq. < 50 kHz | 0.7 |
| 50 kHz ≤ freq. < 100 kHz | 0.8 |
| 100 kHz ≤ freq. < 200 kHz | 1.0 |
| 200 kHz ≤ freq. < 500 kHz | 0.8 |
| 500 kHz ≤ freq. < 1 MHz | 0.7 |
| 1 MHz ≤ freq. < 10 MHz | 0.4 |

After

| Frequency | Multiplier |
|---------------------------|------------|
| 100 Hz ≤ freq. < 1 kHz | 0.05 |
| 1 kHz ≤ freq. < 10 kHz | 0.3 |
| 10 kHz ≤ freq. < 20 kHz | 0.6 |
| 20 kHz ≤ freq. < 50 kHz | 0.7 |
| 50 kHz ≤ freq. < 100 kHz | 0.8 |
| 100 kHz ≤ freq. < 200 kHz | 1.0 |
| 200 kHz ≤ freq. < 500 kHz | 0.8 |
| 500 kHz ≤ freq. < 1 MHz | 0.7 |
| 1 MHz ≤ freq. < 10 MHz | 0.4 |

- Würth Elektronik corrects the Technical Reference for the following part numbers:

| WE P/N | Technical Reference before correction | Technical reference after correction |
|--------------|--|---|
| 875046219001 | PSE2917331M002DH3T1HT19 | PSE2917331M002DH3T2HT19 |
| 875046219002 | PSE2917471M002DH3T1HT19 | PSE2917471M002DH3T2HT19 |
| 875046219003 | PSE2917561M002DH3T1HT19 | PSE2917561M002DH3T2HT19 |
| 875046319001 | PSE2917471M2R5DH3T1HT19 | PSE2917471M2R5DH3T2HT19 |

Würth Elektronik eiSos GmbH & Co. KG

EMC & Inductive Solutions

Max-Eyth-Straße 1 · 74638 Waldenburg · Germany

Tel. +49 (0) 79 42 945-0 · Fax +49 (0) 79 42 945-400

eiSos@we-online.de · www.we-online.de



- Würth Elektronik updates the Cautions and Warnings for all products of WCAP-PHSE:

Please have a look at the new datasheet.

Especially the following paragraph is updated:

Before

A storage of Würth Elektronik products for longer than **24** months is not recommended. Within other effects, the terminals may suffer degradation, resulting in bad solderability. Therefore, all products shall be used within the period of **24** months based on the day of shipment.

After

A storage of Würth Elektronik products for longer than **12** months is not recommended. Within other effects, the terminals may suffer degradation, resulting in bad solderability. Therefore, all products shall be used within the period of **12** months based on the day of shipment.

RELIABILITY / QUALIFICATION SUMMARY:

There will be no change of the product, therefore no additional reliability or qualification testing will be performed.