

Würth Elektronik eiSos GmbH & Co. KG

EMC & Inductive Solutions

Max-Eyth-Straße 1 · 74638 Waldenburg · Germany

Tel. +49 (0) 79 42 945-0 · Fax +49 (0) 79 42 945-400

eiSos@we-online.de · www.we-online.de



## Product/Process Change Notice (PCN)

- Major change  
 Minor change

PCN #: WCAP-FTXX\_20171220

Product Affected: WCAP-FTXX

PCN Date: September 20th 2017

Effective Date: December 20th 2017

Contact: Product Management

Phone: +49 (0) 7942 - 945 5001

Fax: +49 (0) 7942 - 945 5179

E-mail: pcn.eisos@we-online.de

- Product Mark  
 Date Code  
 Packaging  
 Others

Attachment:  Yes  No

Samples:

### DESCRIPTION AND PURPOSE OF CHANGE:

Due to packaging optimization the packaging of the match code WCAP-FTXX CS-Version will be changed. Products after applied change with effective date of December, 20th 2017 can be shipped in the new packaging method. There will be no change in form, fit, function, quality or reliability of the product.

### DETAIL OF CHANGE:

Due to packaging change from bulk to box packaging the packaging quantities are changed. Please find the affected part numbers and additional information in the attachment.

Würth Elektronik eiSos GmbH & Co. KG

EMC & Inductive Solutions

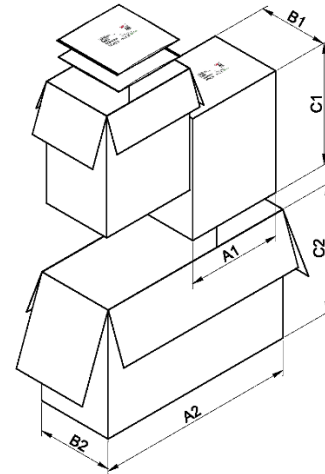
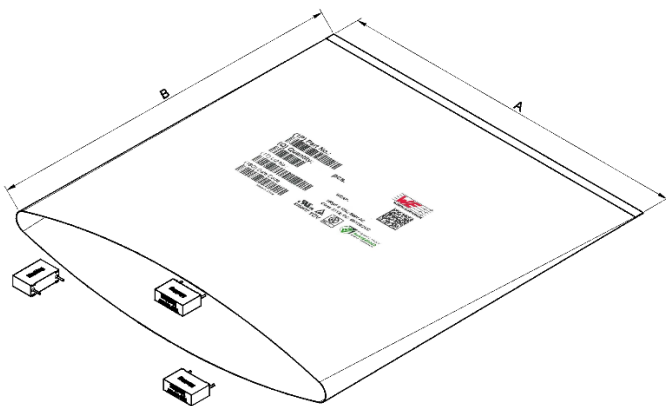
Max-Eyth-Straße 1 · 74638 Waldenburg · Germany

Tel. +49 (0) 79 42 945-0 · Fax +49 (0) 79 42 945-400

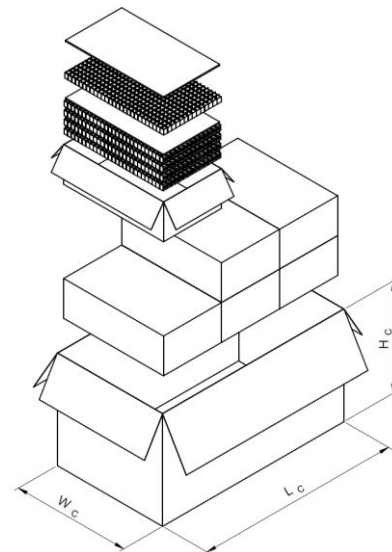
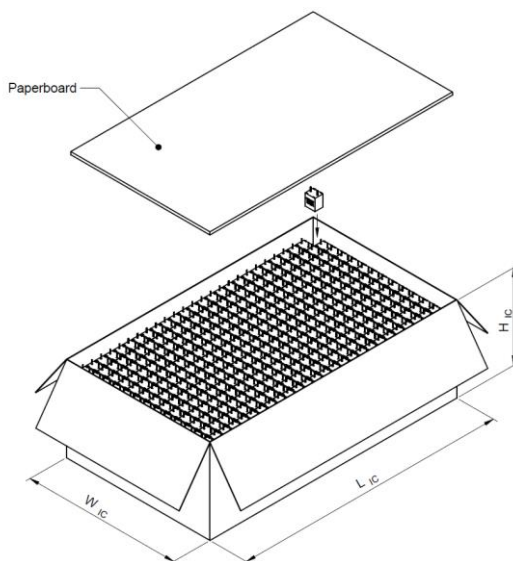
eiSos@we-online.de · www.we-online.de



Old packaging (Bulk Bag):



New Packaging (Carton):



**RELIABILITY / QUALIFICATION SUMMARY:**

Product approval is according to the specification and is internally released by the Product Management Department.

**DATA SHEET CHANGE:**

Yes

No

Würth Elektronik eiSos GmbH & Co. KG  
 EMC & Inductive Solutions  
 Max-Eyth-Straße 1 · 74638 Waldenburg · Germany  
 Tel. +49 7942 945-0 · Fax +49 7942 945-5000  
 eiSos@we-online.com · www.we-online.com



## Attachment of PCN: WCAP-FTXX\_20171220

As written in the PCN the following part numbers are affected by change:

Part number	Old Packaging Quantity (VPE)	New Packaging Quantity (VPE)
890334022001CS	500	3080
890334022002CS	500	5280
890334022003CS	500	5280
890334022004CS	500	4320
890334022005CS	500	5280
890334022006CS	500	1680
890334022007CS	500	3080
890334022008CS	500	1680
890334022009CS	500	1680
890334022010CS	500	5280
890334022011CS	500	1680
890334022012CS	500	4000
890334022013CS	500	1680
890334022014CS	500	1680
890334022015CS	500	4000
890334022016CS	500	4000
890334022017CS	500	3375
890334022018CS	500	3280
890334022019CS	500	2240
890334023001CS	500	3960
890334023002CS	500	3300
890334023003CS	500	3300
890334023004CS	500	3300
890334023005CS	500	3960
890334023006CS	500	3300
890334023007CS	500	3300
890334023008CS	500	3540
890334023009CS	500	3300
890334023010CS	500	3300
890334023011CS	500	3540
890334023012CS	500	2700

Würth Elektronik eiSos GmbH & Co. KG Sitz Waldenburg, Registergericht Stuttgart HRA 580801

Komplementär Würth Elektronik eiSos Verwaltungs-GmbH, Sitz Waldenburg, Registergericht Stuttgart HRB 581033 · Geschäftsführer Oliver Konz, Thomas Schrott, Alexander Gerfer

Bankverbindungen UniCredit Bank AG Stuttgart, Konto 322 620 136, BLZ 600 202 90, IBAN DE86 6002 0290 0322 6201 36, SWIFT/BIC HYVEDMM473

USt.-IdNr. DE220618976

Würth Elektronik eiSos GmbH & Co. KG  
 EMC & Inductive Solutions  
 Max-Eyth-Straße 1 · 74638 Waldenburg · Germany  
 Tel. +49 7942 945-0 · Fax +49 7942 945-5000  
 eiSos@we-online.com · www.we-online.com



Part number	Old Packaging Quantity (VPE)	New Packaging Quantity (VPE)
890334023013CS	500	3540
890334023014CS	500	3300
890334023015CS	500	3540
890334023016CS	500	1824
890334023017CS	500	3300
890334023018CS	500	3000
890334023019CS	500	1824
890334023020CS	500	2700
890334023021CS	500	1824
890334023022CS	500	3000
890334023023CS	500	1824
890334023024CS	500	1824
890334023025CS	500	2280
890334023026CS	500	1584
890334023027CS	500	1968
890334023028CS	500	1584
890334023029CS	500	1188
890334023030CS	500	936
890334024001CS	500	2250
890334024002CS	500	1900
890334024003CS	500	1280
890334024004CS	500	1200
890334024005CS	500	1040
890334024006CS	500	960
890334025001CS	500	3024
890334025002CS	500	3024
890334025003CS	500	2520
890334025004CS	500	2240
890334025005CS	500	2520
890334025006CS	500	2240
890334025007CS	500	2240
890334025008CS	500	3024
890334025009CS	500	2240
890334025010CS	500	3024

Würth Elektronik eiSos GmbH & Co. KG Sitz Waldenburg, Registergericht Stuttgart HRA 580801

Komplementär Würth Elektronik eiSos Verwaltungs-GmbH, Sitz Waldenburg, Registergericht Stuttgart HRB 581033 · Geschäftsführer Oliver Konz, Thomas Schrott, Alexander Gerfer

Bankverbindungen UniCredit Bank AG Stuttgart, Konto 322 620 136, BLZ 600 202 90, IBAN DE86 6002 0290 0322 6201 36, SWIFT/BIC HYVEDMM473

USt.-IdNr. DE220618976

Würth Elektronik eiSos GmbH & Co. KG  
 EMC & Inductive Solutions  
 Max-Eyth-Straße 1 · 74638 Waldenburg · Germany  
 Tel. +49 7942 945-0 · Fax +49 7942 945-5000  
 eiSos@we-online.com · www.we-online.com



Part number	Old Packaging Quantity (VPE)	New Packaging Quantity (VPE)
890334025011CS	500	2240
890334025012CS	500	2520
890334025013CS	500	1800
890334025014CS	500	2040
890334025015CS	500	1800
890334025016CS	500	2240
890334025017CS	500	1800
890334025018CS	500	1248
890334025019CS	500	2240
890334025020CS	500	1152
890334025021CS	500	2240
890334025022CS	500	1800
890334025023CS	500	1152
890334025024CS	500	1056
890334025025CS	500	1800
890334025026CS	500	992
890334025027CS	500	1800
890334025028CS	500	1216
890334025029CS	500	992
890334025030CS	500	648
890334025031CS	500	1120
890334025032CS	500	992
890334025033CS	500	1312
890334025034CS	500	992
890334025035CS	500	1024
890334025036CS	500	624
890334025037CS	500	1152
890334025038CS	500	1024
890334025039CS	500	1056
890334025040CS	500	1200
890334025041CS	500	832
890334025042CS	500	720
890334025043CS	500	960
890334025044CS	500	624

Würth Elektronik eiSos GmbH & Co. KG Sitz Waldenburg, Registergericht Stuttgart HRA 580801

Komplementär Würth Elektronik eiSos Verwaltungs-GmbH, Sitz Waldenburg, Registergericht Stuttgart HRB 581033 · Geschäftsführer Oliver Konz, Thomas Schrott, Alexander Gerfer

Bankverbindungen UniCredit Bank AG Stuttgart, Konto 322 620 136, BLZ 600 202 90, IBAN DE86 6002 0290 0322 6201 36, SWIFT/BIC HYVEDMM473

USt.-IdNr. DE220618976

Würth Elektronik eiSos GmbH & Co. KG  
 EMC & Inductive Solutions  
 Max-Eyth-Straße 1 · 74638 Waldenburg · Germany  
 Tel. +49 7942 945-0 · Fax +49 7942 945-5000  
 eiSos@we-online.com · www.we-online.com



Part number	Old Packaging Quantity (VPE)	New Packaging Quantity (VPE)
890334025045CS	500	832
890334025046CS	500	576
890334025047CS	500	624
890334025048CS	500	552
890334025049CS	500	600
890334026001CS	200	1590
890334026002CS	200	1590
890334026003CS	200	1056
890334026004CS	200	828
890334026005CS	200	912
890334026006CS	200	744
890334026007CS	200	1320
890334026008CS	200	912
890334026009CS	200	912
890334026010CS	200	648
890334026011CS	200	744
890334026012CS	200	1320
890334026013CS	200	468
890334026014CS	200	912
890334026015CS	200	744
890334026016CS	200	468
890334026017CS	200	912
890334026018CS	200	840
890334026019CS	200	672
890334026020CS	200	840
890334026021CS	200	792
890334026022CS	200	468
890334026023CS	200	792
890334026024CS	200	522
890334026025CS	200	432
890334026026CS	200	720
890334026027CS	200	432
890334026028CS	200	396
890334026029CS	200	540

Würth Elektronik eiSos GmbH & Co. KG Sitz Waldenburg, Registergericht Stuttgart HRA 580801

Komplementär Würth Elektronik eiSos Verwaltungs-GmbH, Sitz Waldenburg, Registergericht Stuttgart HRB 581033 · Geschäftsführer Oliver Konz, Thomas Schrott, Alexander Gerfer

Bankverbindungen UniCredit Bank AG Stuttgart, Konto 322 620 136, BLZ 600 202 90, IBAN DE86 6002 0290 0322 6201 36, SWIFT/BIC HYVEDMM473

USt.-IdNr. DE220618976

Würth Elektronik eiSos GmbH & Co. KG  
 EMC & Inductive Solutions  
 Max-Eyth-Straße 1 · 74638 Waldenburg · Germany  
 Tel. +49 7942 945-0 · Fax +49 7942 945-5000  
 eiSos@we-online.com · www.we-online.com



Part number	Old Packaging Quantity (VPE)	New Packaging Quantity (VPE)
890334026030CS	200	468
890334026031CS	200	396
890334026032CS	200	378
890334026033CS	200	360
890334026034CS	200	306
890334027001CS	100	900
890334027002CS	100	450
890334027003CS	100	820
890334027004CS	100	360
890334027005CS	100	820
890334027006CS	100	375
890334027007CS	100	660
890334027008CS	100	300
890334027009CS	100	660
890334027010CS	100	300
890334027011CS	100	660
890334027012CS	100	315
890334027013CS	100	270
890334027014CS	100	600
890334027015CS	100	270
890334027016CS	100	270
890334027017CS	100	150
890334027018CS	100	285
890334027019CS	100	240
890334027020CS	100	160
890334027021CS	100	315
890334027022CS	100	240
890334027023CS	100	140
890334027024CS	100	140
890334027025CS	100	170
890334027026CS	100	225
890334027027CS	100	130
890334027028CS	100	140
890334027029CS	100	130

Würth Elektronik eiSos GmbH & Co. KG Sitz Waldenburg, Registergericht Stuttgart HRA 580801

Komplementär Würth Elektronik eiSos Verwaltungs-GmbH, Sitz Waldenburg, Registergericht Stuttgart HRB 581033 · Geschäftsführer Oliver Konz, Thomas Schrott, Alexander Gerfer

Bankverbindungen UniCredit Bank AG Stuttgart, Konto 322 620 136, BLZ 600 202 90, IBAN DE86 6002 0290 0322 6201 36, SWIFT/BIC HYVEDMM473

USt.-IdNr. DE220618976



Würth Elektronik eiSos GmbH & Co. KG  
 EMC & Inductive Solutions  
 Max-Eyth-Straße 1 · 74638 Waldenburg · Germany  
 Tel. +49 7942 945-0 · Fax +49 7942 945-5000  
 eiSos@we-online.com · www.we-online.com



Part number	Old Packaging Quantity (VPE)	New Packaging Quantity (VPE)
890334027030CS	100	140
890334027031CS	100	120
890334028001CS	50	162
890334028002CS	50	90
890334028003CS	50	144
890334028004CS	50	102
890334028005CS	50	72
890334028006CS	50	84
890334028007CS	50	66
890334028008CS	50	66
890334028009CS	50	60
890334028010CS	50	60
890334028011CS	50	54
890334028012CS	50	54
890334028013CS	50	48
S890334025027	500	1440
S890334025039	500	792

Würth Elektronik eiSos GmbH & Co. KG Sitz Waldenburg, Registergericht Stuttgart HRA 580801

Komplementär Würth Elektronik eiSos Verwaltungs-GmbH, Sitz Waldenburg, Registergericht Stuttgart HRB 581033 · Geschäftsführer Oliver Konz, Thomas Schrott, Alexander Gerfer

Bankverbindungen UniCredit Bank AG Stuttgart, Konto 322 620 136, BLZ 600 202 90, IBAN DE86 6002 0290 0322 6201 36, SWIFT/BIC HYVEDMM473

USt.-IdNr. DE220618976