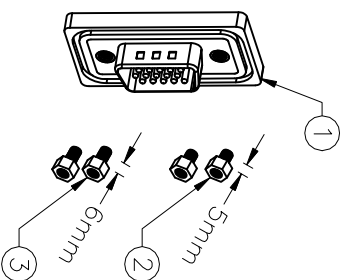
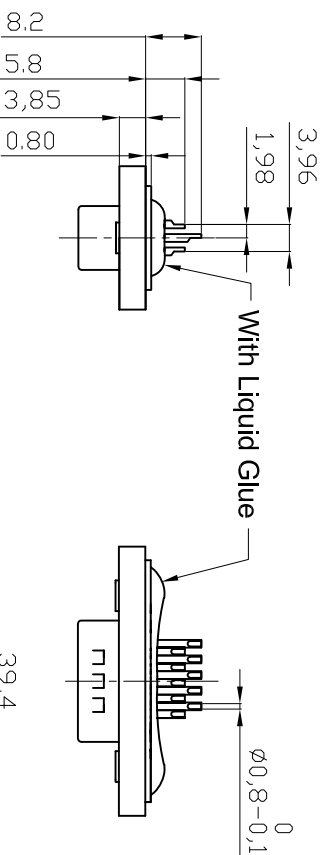
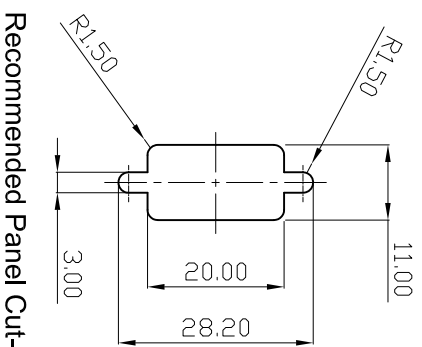


A
Panel Thickness
Screw L=5.0 For Panel Thickness
Under 1.2mm
Screw L=6.0 For Panel Thickness
Between 1.2-2.0mm



NOTES:

- MATERIAL**
1. Insulator Material: Black, NYLON+G/F
 2. Contact Material : Copper Alloy
 3. Plating : Gold Plating
 4. Waterproof Rate: IP67
 5. Do Mating Test After Glued
 6. Applicable Wire Range: 24AWG-28AWG

RoHS compliant

Scale	1:1								
TOLERANCE									
X.X	±0.25				Drawn	24.12.2008	JACK		
X.XX	±0.10				Approved	19.01.2018	Army		
X.XXX	±0.05								
DIM	TOL	①	Cancel LOGO	19.01.2018	Tom				
ANGLE	±1°	②	Drawn	24.12.2008	JACK				
X.X°	±X°	③	Modification						
Angle	TOL								

Customer-No.							
ASSMANN WSW-No.							
A-HDS 15 LL-WP							
Drawing-No.							
ASS 3276 CO							
Replace							
rev02							
Sheet							

1	2	3	4	5	6	7
---	---	---	---	---	---	---