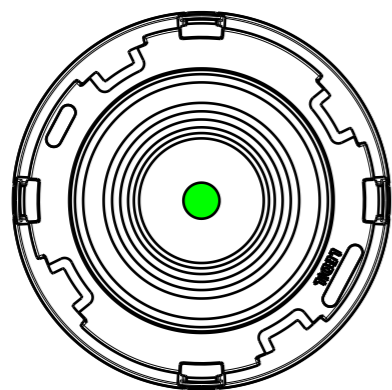
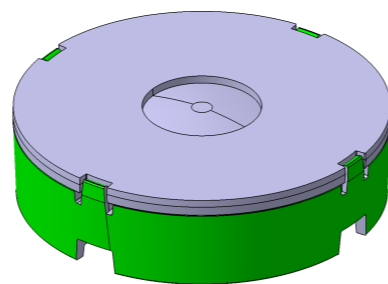
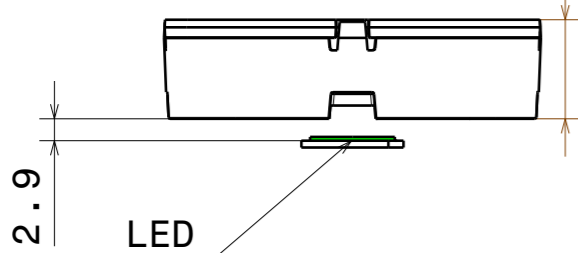
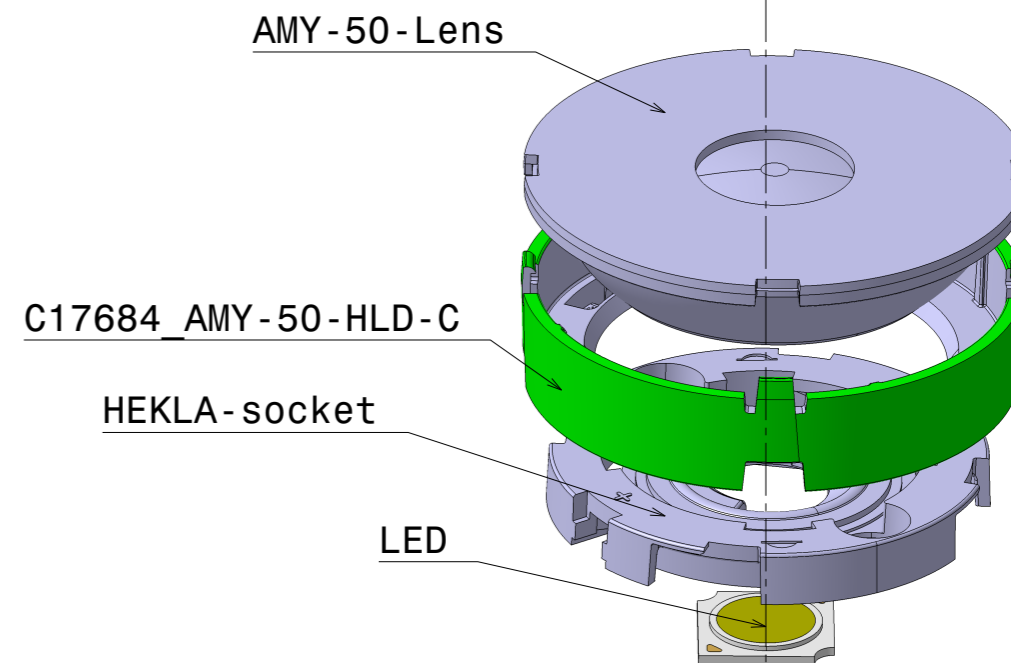


- CP18041\_ AMY-50-S2-C = 12.93
- CP17685\_ AMY-50-S2-C = 12.93
- CP17694\_ AMY-50-S-C = 13.10
- CP17690\_ AMY-50-M-C = 13.04
- CP17691\_ AMY-50-W-C = 13.10
- CP17692\_ AMY-50-WW-C = 13.10



Example assembly



CP17685, CP17694, CP17690, CP17691, CP17692, CP18041\_ AMY-50-C  
COMPONENTS

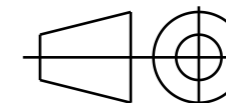
| INDEX | PART  | TYPE   | MATERIAL | COLOR / COATING |
|-------|---|--------|----------|-----------------|
| 1     | C17683/C17686/C17687/C17688/C17689/C18040_ AMY-50 | Lens   | PMMA     | Clear           |
| 2     | C17684_ AMY-50-HLD-C                              | Holder | PC       | Black           |

MECHANICAL DRAWING

PRODUCT  
AMY

Plastic moulding general tolerances according to DIN 16901-130 and applies if not otherwise shown in the drawing. Silicone moulding general tolerances according to ISO 3302-1 Class M3 and applies if not otherwise shown in the drawing.

FIRST ANGLE PROJECTION:



**LEDiL**®

This drawing is the property of LEDiL Oy. It may not be copied or otherwise distributed without prior written permission from LEDiL Oy.

SCALE 1:1

WEIGHT -

A3 SHEET 1/1

Notes

- PCB or heatsink level.
- LED location
- Ensure LED fitting from a product specific 3D model available from [www.ledil.com](http://www.ledil.com)
- For more details about installation please see LEDiL Installation Guide on [www.ledil.com](http://www.ledil.com)