

Figure 5: EPC9506 Source Board Amplifier Schematic

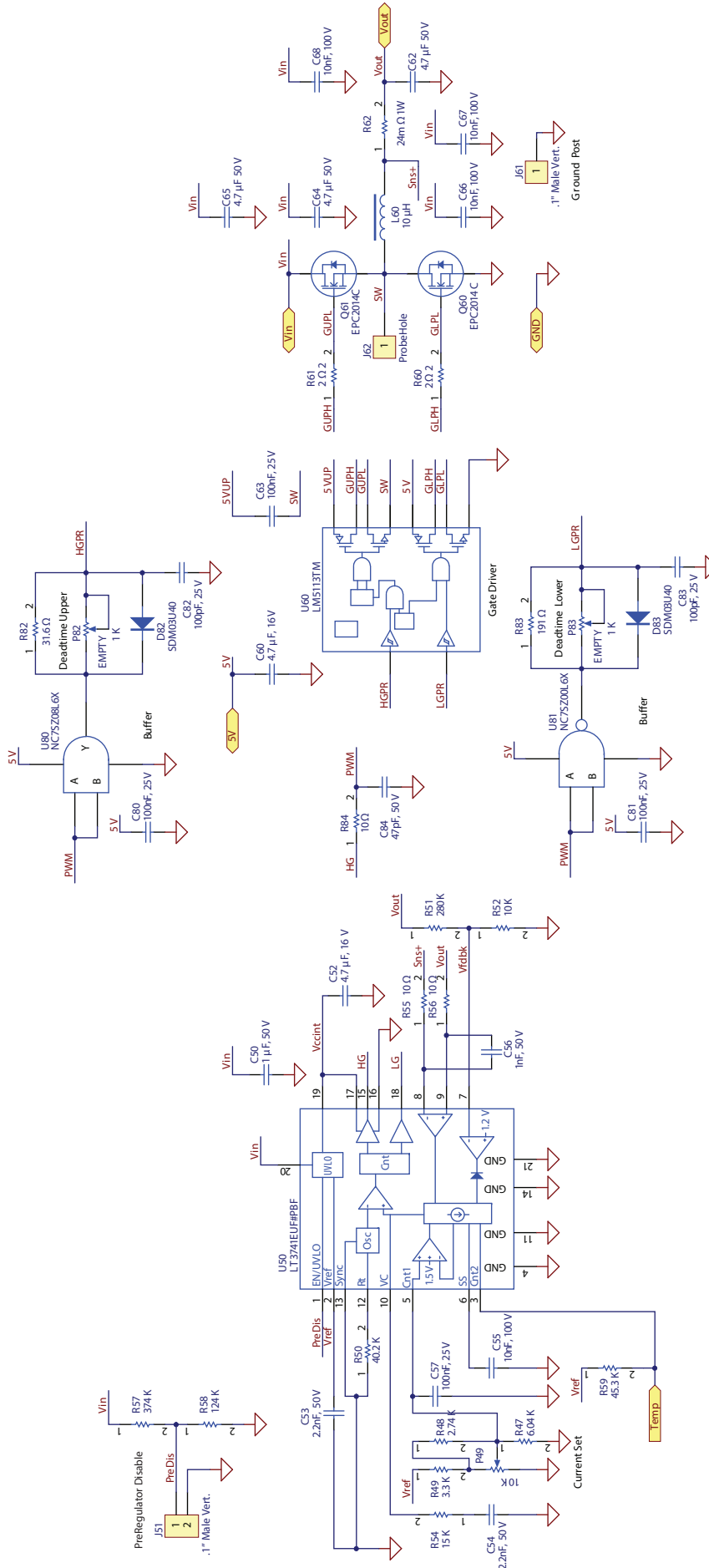


Figure 6: EPC9506 - Source Board Pre-Regulator Schematic

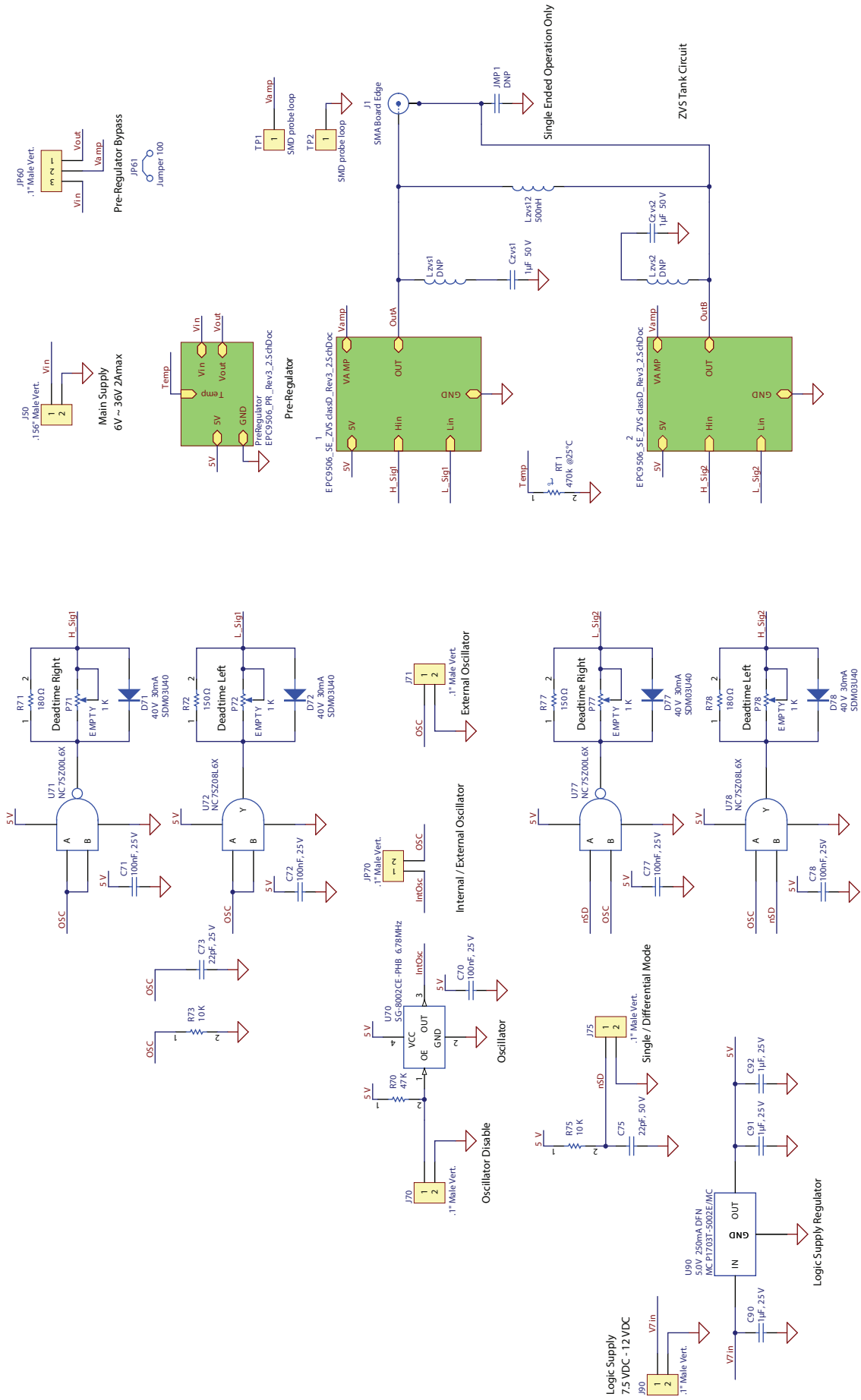


Figure 7: EPC9506 -Source Board Pre-Regulator Schematic