

# I<sup>2</sup>S interface board

## Quick start guide

### About this document

#### Scope and purpose

The I<sup>2</sup>S interface board is an add-on board intended for use with the EVAL\_AUDIO\_MA12040P and EVAL\_AUDIO\_MA12070P boards. The I<sup>2</sup>S interface board converts either analog or digital S/PDIF audio into I<sup>2</sup>S format matching the default settings of EVAL\_AUDIO\_MA1240P/MA12070P boards. The I<sup>2</sup>S interface board should be used when the user has no I<sup>2</sup>S source for the EVAL\_AUDIO\_MA1240P/MA12070P boards.

#### Intended audience

Audio amplifier design engineers, audio system engineers and audio software engineers.

### Table of contents

<b>About this document</b> .....	<b>1</b>
<b>Table of contents</b> .....	<b>1</b>
<b>1 Board block diagram and schematic</b> .....	<b>2</b>
<b>2 PCB board overview</b> .....	<b>4</b>
<b>3 Step-by-step user guide</b> .....	<b>5</b>
<b>Revision history</b> .....	<b>7</b>

## 1 Board block diagram and schematic

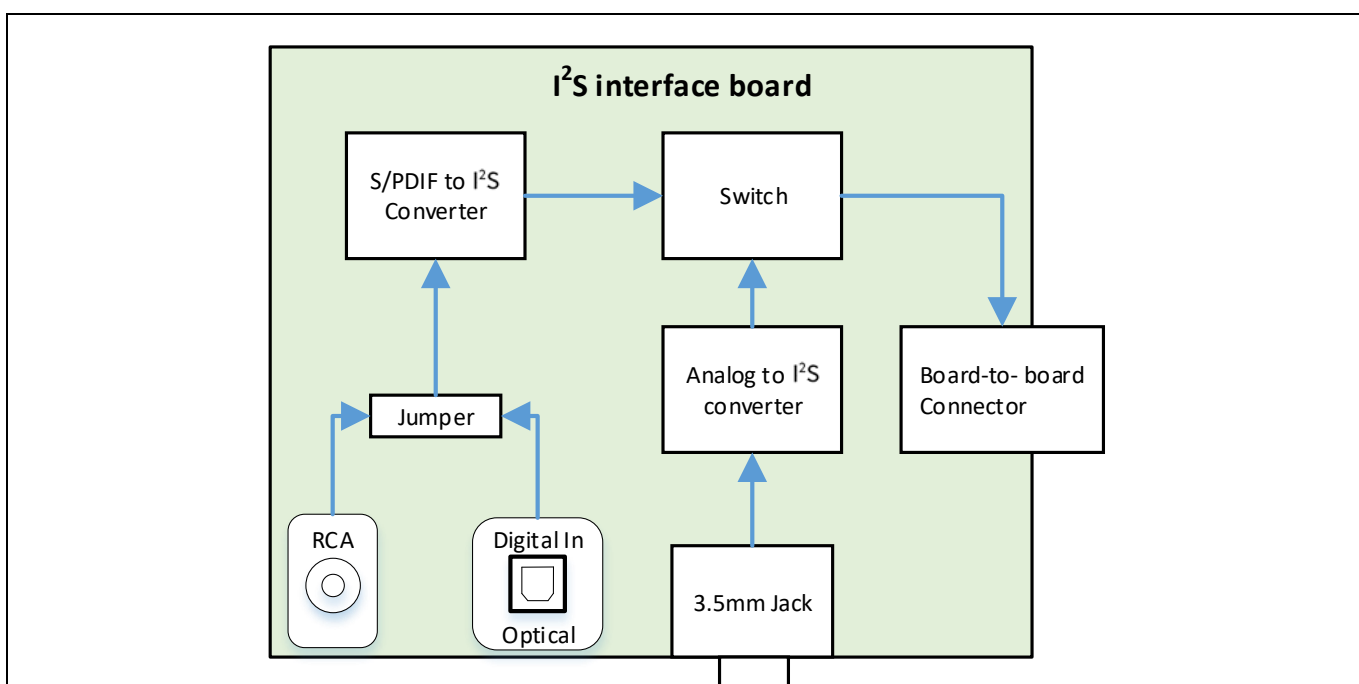
The I<sup>2</sup>S interface board is an add-on board for the EVAL\_AUDIO\_MA12040P/MA12070P boards. A block diagram of the board is shown in [Figure 1](#). The board will get 3.3 V supply from the **board-to-board** connector when connected to an EVAL board, and no other supply voltage is needed to operate the board.

The triple-Pole Dual-Throw (3PDT) **switch** selects between the analog and the digital input.

To use the **analog to I<sup>2</sup>S converter** connect an audio source via the 3.5 mm jack connector.

To use the **S/PDIF to I<sup>2</sup>S converter** connect a digital audio source from either the RCA or the optical connector.

The **jumper** selects between the **RCA connector** and the **optical input** signal.



**Figure 1** I<sup>2</sup>S interface board block diagram

For a schematic of the I<sup>2</sup>S interface board see [Figure 2](#).

# I2S interface board

## Quick start guide

### Board block diagram and schematic

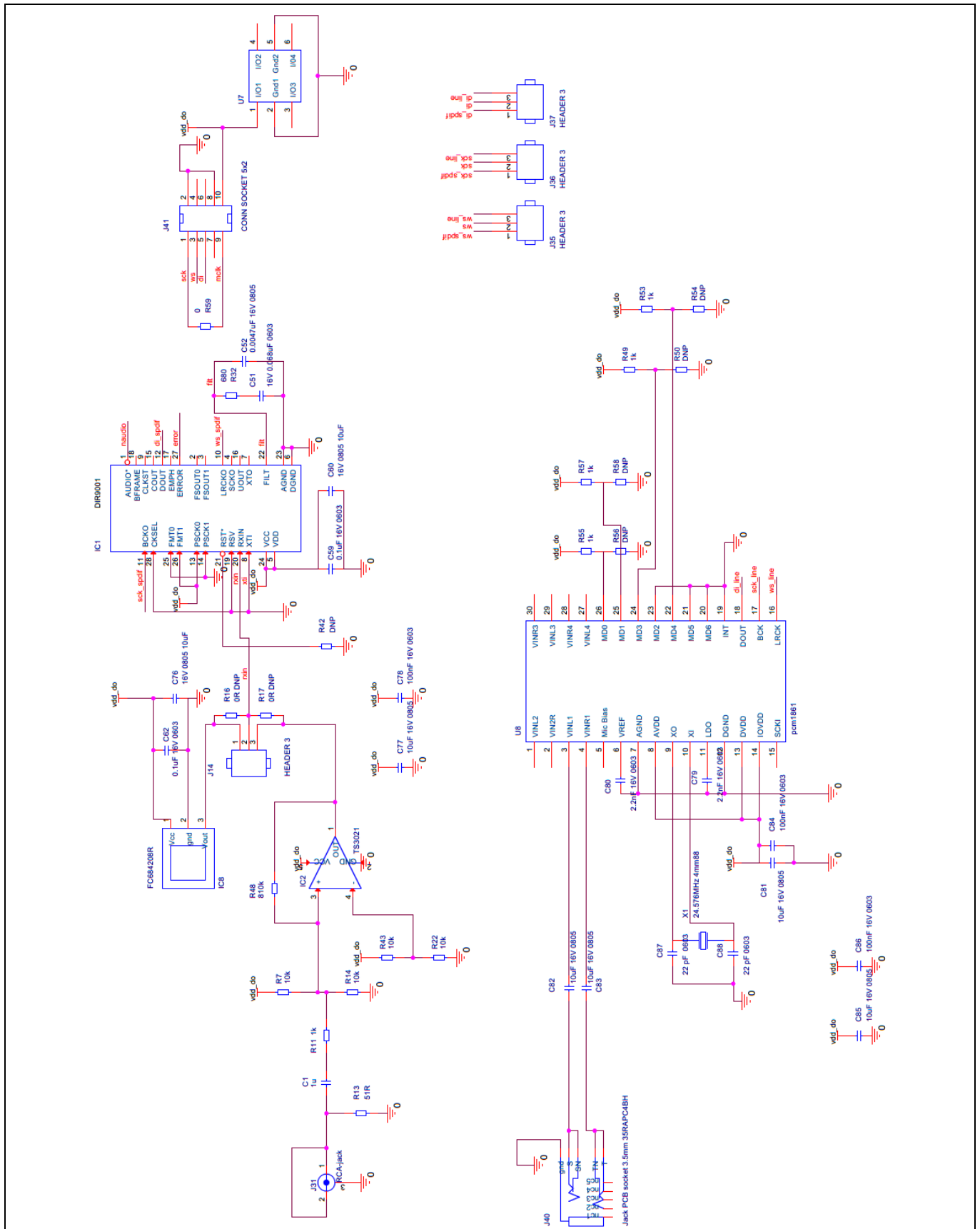
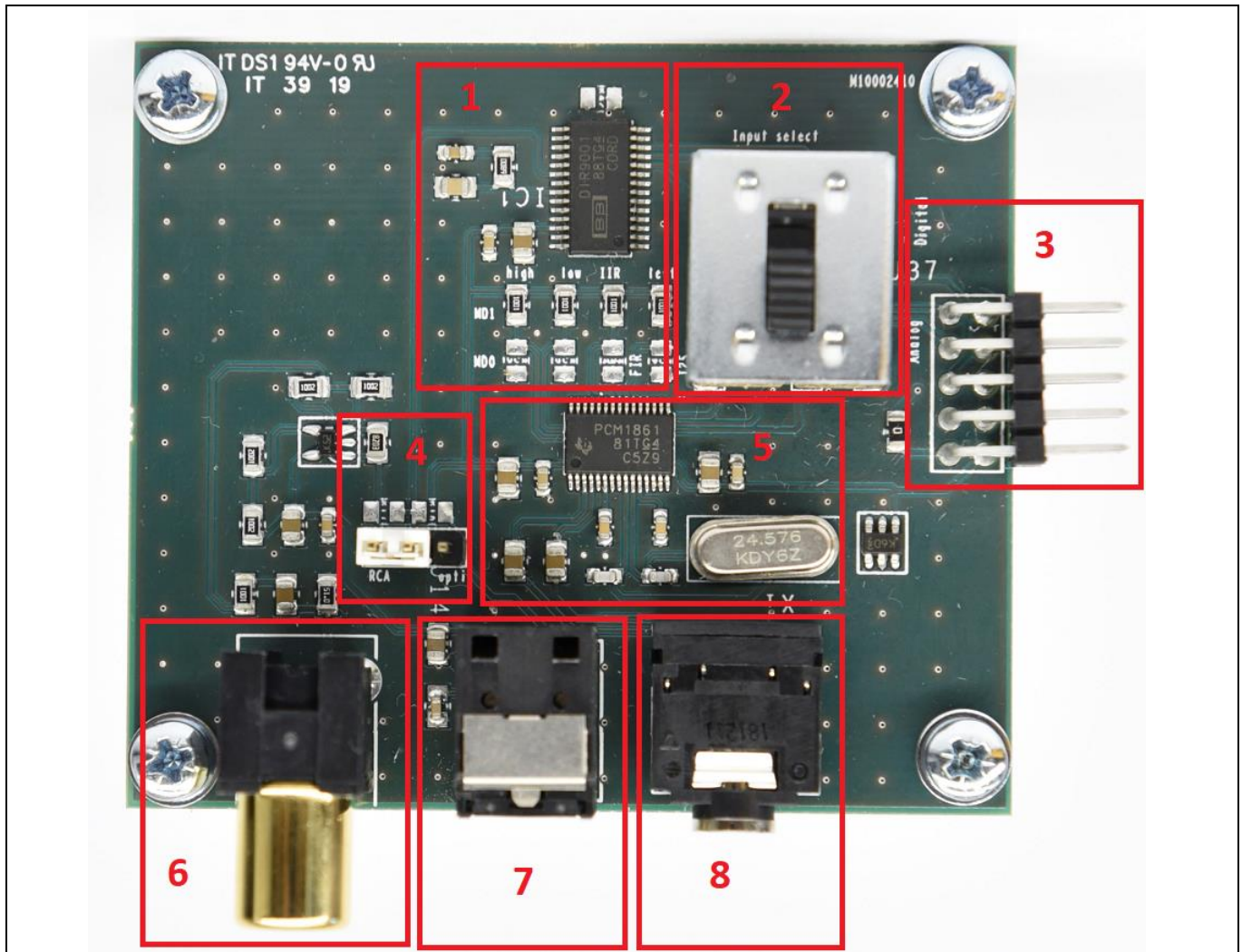


Figure 2 I<sup>2</sup>S interface board schematic

## 2 PCB board overview

For an overview of the PCB see [Figure 3](#).

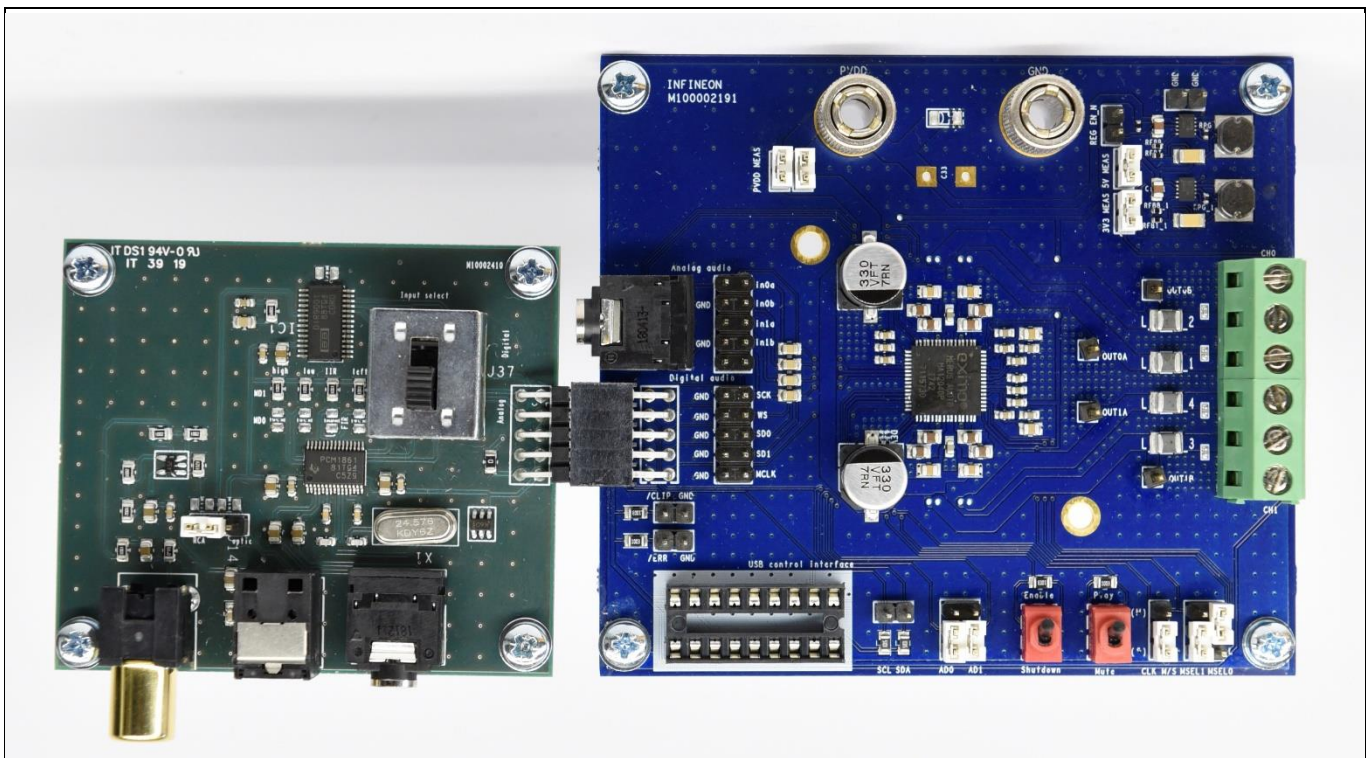
- 1) S/PDIFF to I<sup>2</sup>S converter
- 2) Switch to select analog or digital input
- 3) Board-to-board connector
- 4) Jumper to select RCA or optical connector
- 5) Analog to I<sup>2</sup>S connector
- 6) RCA connector
- 7) Optical connector
- 8) 3.5 mm jack connector



**Figure 3** PCB board overview

## 3 Step-by-step user guide

- 1) Connect the power supply cables and speaker cables to the EVAL\_AUDIO\_MA12040P/MA12070P board. Do not turn on the power supply yet.
- 2) Disable and mute the MA12040P/MA12070P amplifier.
- 3) Connect the I<sup>2</sup>S interface board to an EVAL\_AUDIO\_MA12040P/MA12070P, see [Figure 4](#).



**Figure 4** Step 3: connect the I<sup>2</sup>S interface board to the EVAL\_AUDIO\_MA12040P/MA12070P

- 4) Connect the preferred audio input source: either RCA (S/PDIF), optical (S/PDIF) or analog (3.5 mm jack).
- 5) Use the switch to select analog or digital input. See [Figure 5](#).
- 6) Use the jumper to select between RCA or optical cable.
- 7) Apply power to the EVAL\_AUDIO\_MA12040P/MA12070P.
- 8) Enable and unmute the EVAL\_AUDIO\_MA12040P/MA12070P.



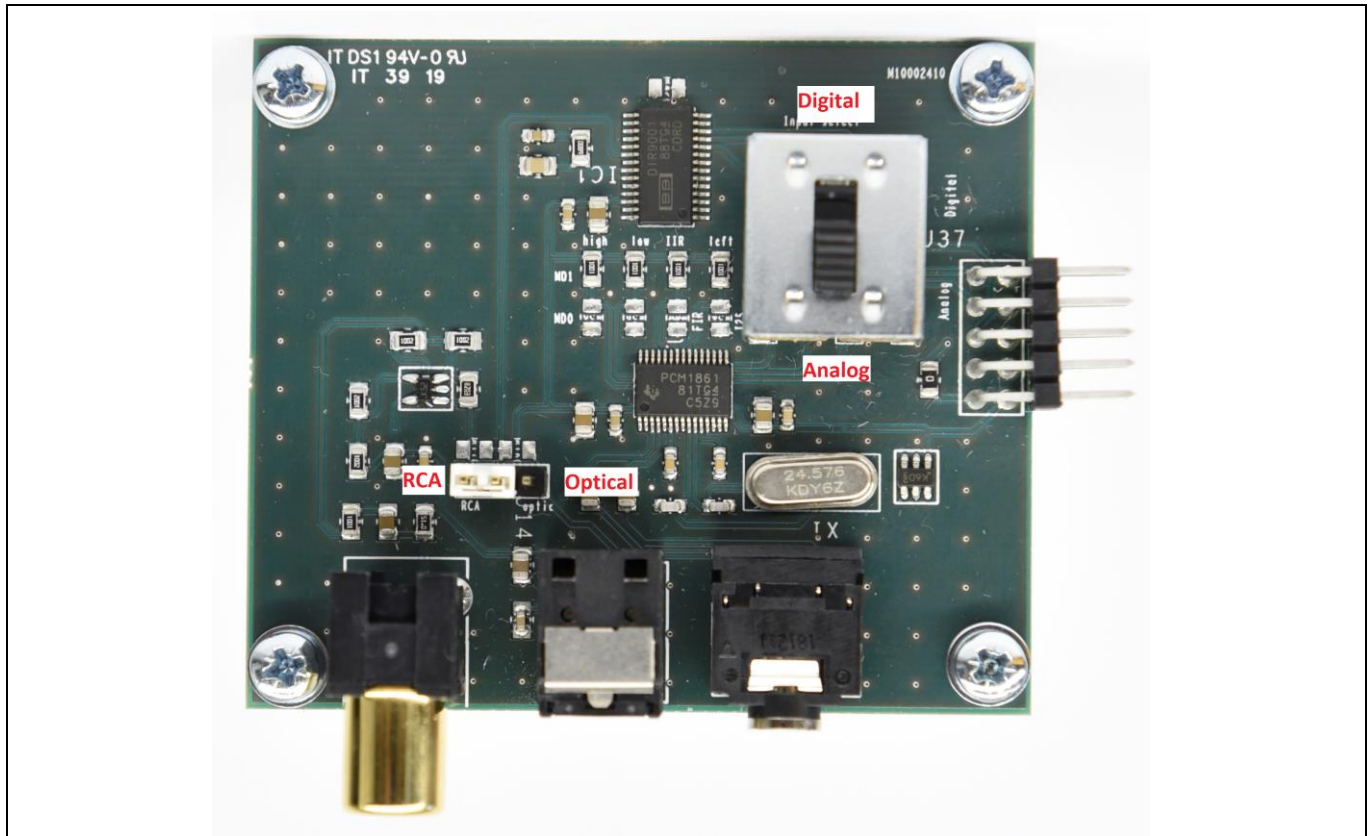


Figure 5 Switch and jumper select

## Revision history

Document version	Date of release	Description of changes
V 1.0	2020-03-17	First release

#### Trademarks

All referenced product or service names and trademarks are the property of their respective owners.

**Edition 2020-03-17**

**Published by**

**Infineon Technologies AG**

**81726 Munich, Germany**

**© 2020 Infineon Technologies AG.**

**All Rights Reserved.**

**Do you have a question about this document?**

**Email: [erratum@infineon.com](mailto:erratum@infineon.com)**

**Document reference**

**UM\_2002\_PL88\_2003\_100604**

#### IMPORTANT NOTICE

The information contained in this application note is given as a hint for the implementation of the product only and shall in no event be regarded as a description or warranty of a certain functionality, condition or quality of the product. Before implementation of the product, the recipient of this application note must verify any function and other technical information given herein in the real application. Infineon Technologies hereby disclaims any and all warranties and liabilities of any kind (including without limitation warranties of non-infringement of intellectual property rights of any third party) with respect to any and all information given in this application note.

The data contained in this document is exclusively intended for technically trained staff. It is the responsibility of customer's technical departments to evaluate the suitability of the product for the intended application and the completeness of the product information given in this document with respect to such application.

For further information on the product, technology, delivery terms and conditions and prices please contact your nearest Infineon Technologies office ([www.infineon.com](http://www.infineon.com)).

#### WARNINGS

Due to technical requirements products may contain dangerous substances. For information on the types in question please contact your nearest Infineon Technologies office.

Except as otherwise explicitly approved by Infineon Technologies in a written document signed by authorized representatives of Infineon Technologies, Infineon Technologies' products may not be used in any applications where a failure of the product or any consequences of the use thereof can reasonably be expected to result in personal injury.