


Table of Contents

1	Title
2	Block Diagram
3	K20D MCU
4	OpenSDA INTERFACE
5	I/O Headers and Power Supply

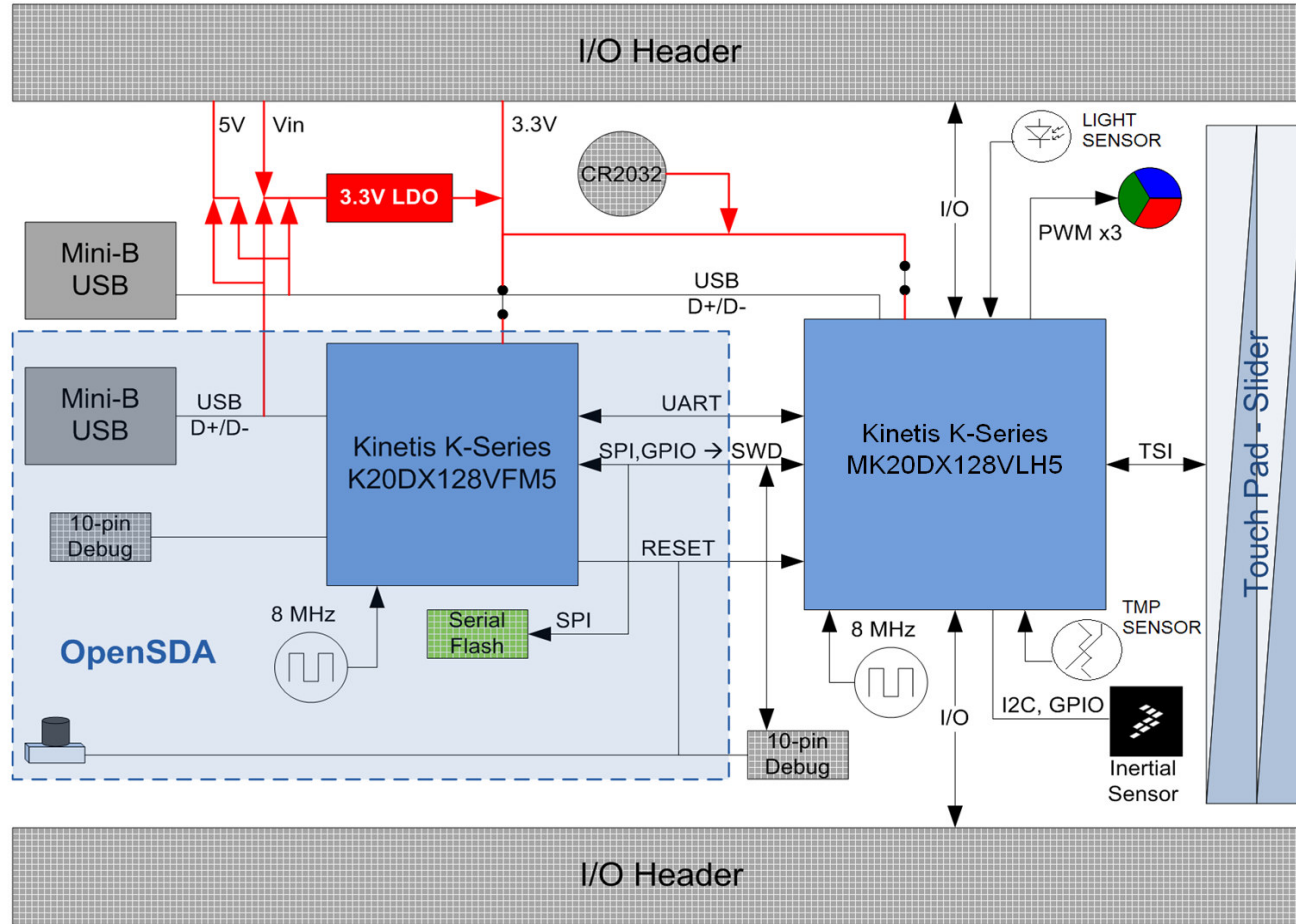
Revisions


Rev	Description	Date	Approved
X1	Initial Draft	08/20/12	L. PUEBLA
A	Prototype Release	08/28/12	L. PUEBLA
B	Production Release	11/21/12	L. PUEBLA
C	Respin Release	01/21/13	L. PUEBLA

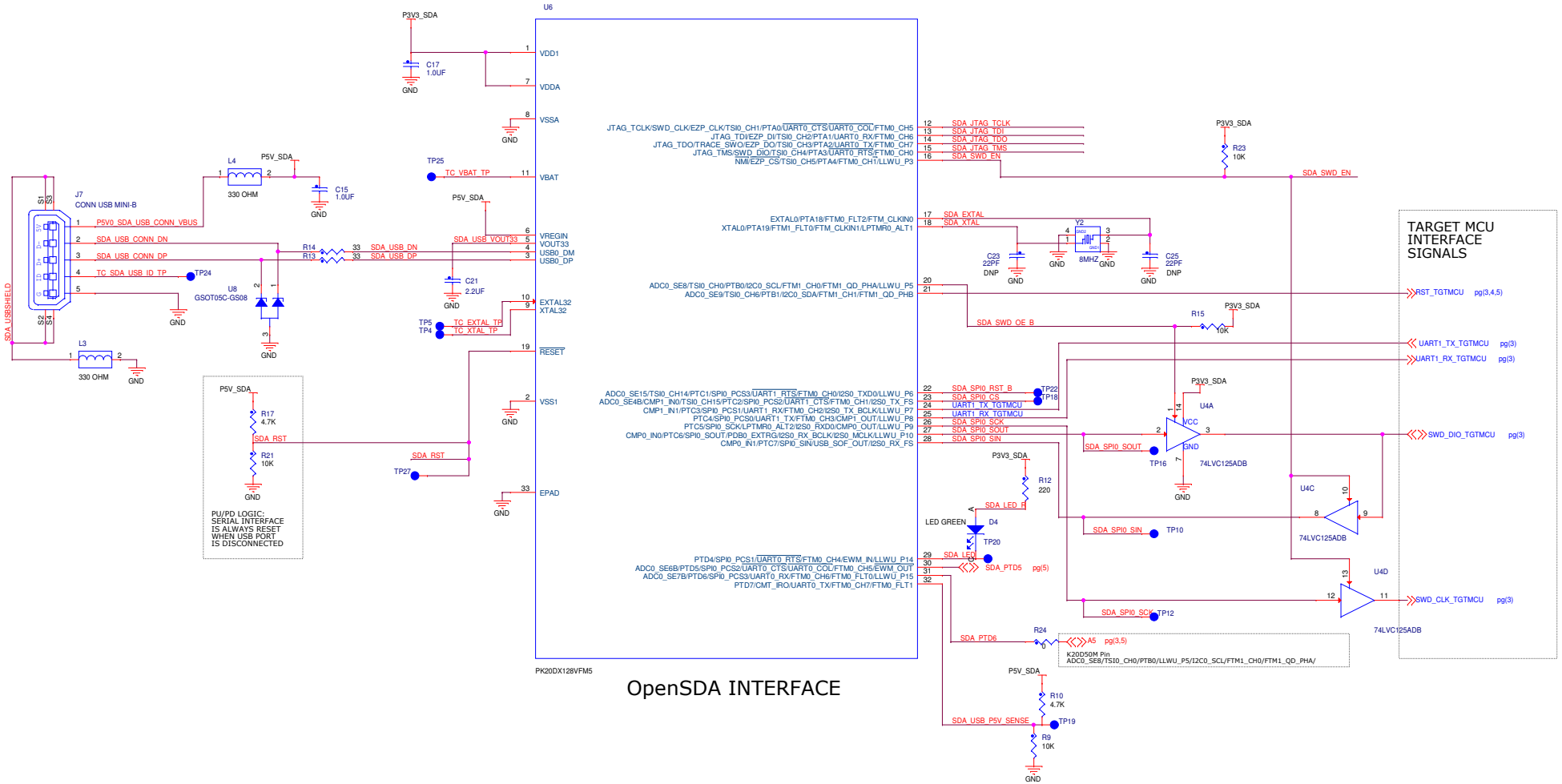
FRDM-K20D50M

		Automotive, Industrial & Multi-Market Solutions Group 6501 William Cannon Drive West Austin, TX 78735-6598	
ICAP Classification: FCP: FLUQ: PUB: X			
Designer: RAFAEL DEL REY		Drawing Title: X-FRDM-K20D50M	
Drawn by: RAFAEL DEL REY		Page Title: TITLE PAGE	
Approved: LUIS PUEBLA	Size C	Document Number SCH-27720 PDF: SPF-27720	Rev C
Date: Monday, January 21, 2013 Sheet 1 of 5			

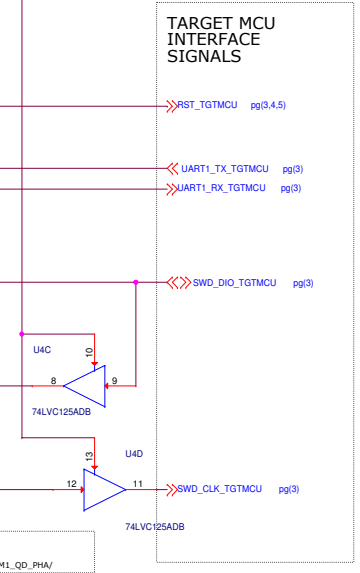
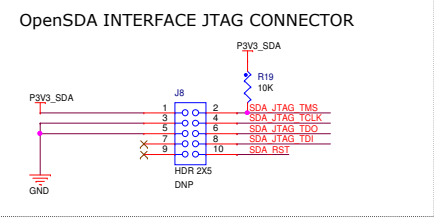
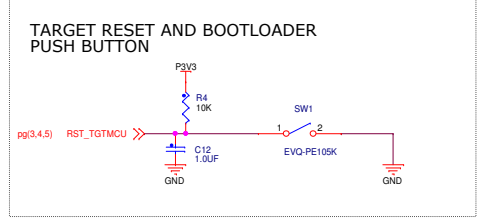
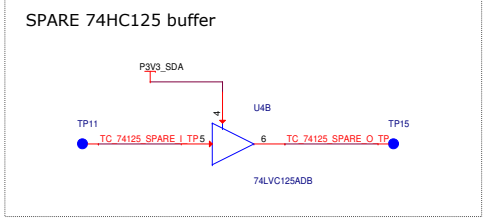
- Unless Otherwise Specified:
 - All resistors are in ohms, 5%, 1/8 Watt
 - All capacitors are in uF, 20%, 50V
 - All voltages are DC
 - All polarized capacitors are aluminum electrolytic
- Interrupted lines coded with the same letter or letter combinations are electrically connected.
- Device type number is for reference only. The number varies with the manufacturer.
- Special signal usage:
 - _B Denotes - Active-Low Signal
 - <> or [] Denotes - Vectored Signals
- Interpret diagram in accordance with American National Standards Institute specifications, current revision, with the exception of logic block symbology.



 Hashed blocks indicate optional items that will not be populated by default



OpenSDA INTERFACE

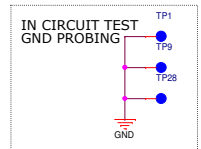
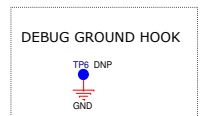
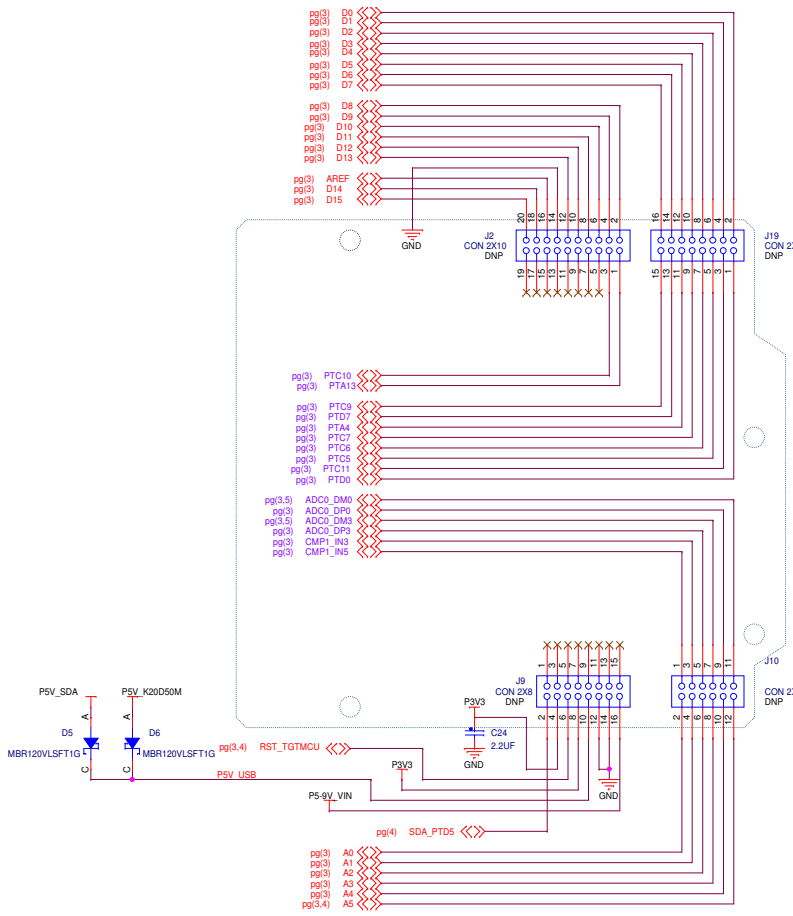
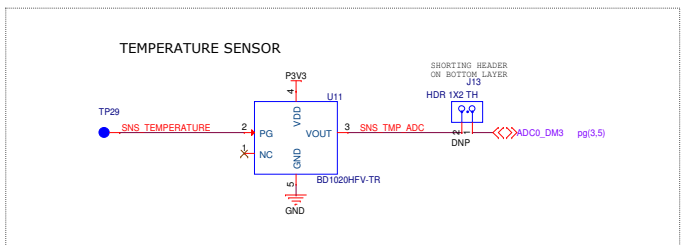
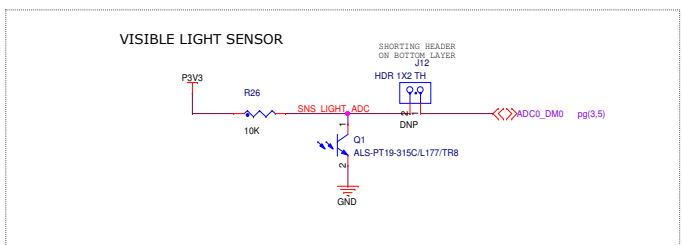
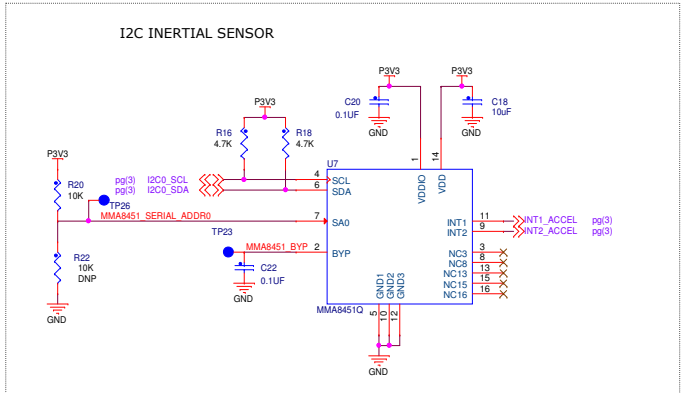
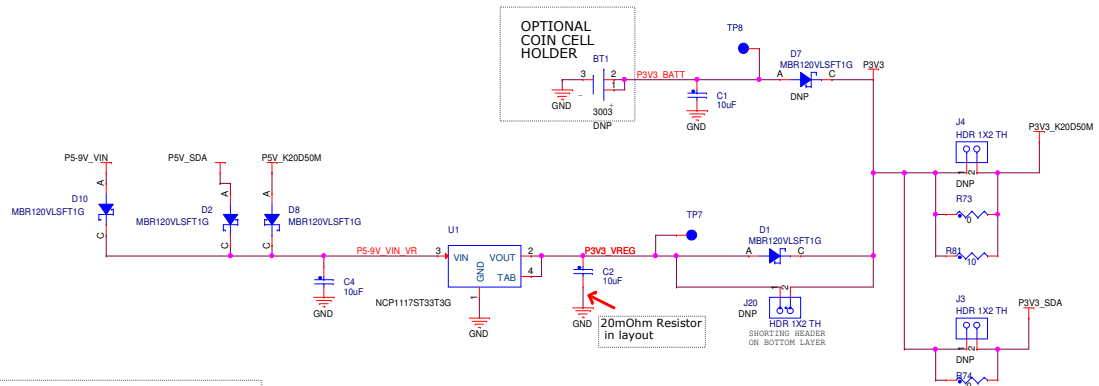


freescale

ICAP Classification: FCP: FIUC: PUBI: X
 Drawing Title: **X-FRDM-K20D50M**
 Page Title: **OpenSDA interface**

Size C	Document Number SCH-27720 PDF: SPF-27720	Rev C
--------	--	-------

Date: Monday, January 21, 2013 Sheet 4 of 5



ICAP Classification: FCP: FIUC: PUBI: X

Drawing Title: **X-FRDM-K20D50M**

Page Title: **ARDUINO SHIELDS & PWR SUPPLY**

Size C	Document Number SCH-27720 PDF: SPF-27720	Rev C
Date: Monday, January 21, 2013	Sheet 5 of 5	