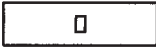

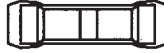






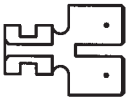


3M Scotchlok™ Boxed Terminal Selector

For a complete listing of terminals, see the Scotchlok terminal catalogue

Butt Connector UL/CSA except MNG18BCMX, MNG14BCMX and MNG10BCMX						
Wire Range	 Non-Insulated	 Vinyl Insulated	 Nylon Insulated with Insulation Grip	 Nylon Insulated	 Moisture Resistant Nylon Insulated with Insulation Grip	 High Temperature
22-18	M M18BCX B-42-201X	M MV18BCX B-42-401X	M MNG18BCX B-42-501X	M MN18BCX B-42-701X	M MNG18BCMX B-42-1501X	M MU18BCHTX B-26-001X
16-14	M M14BCX C-42-201X	M MV14BCX C-42-401X	M MNG14BCX C-42-501X	M MN14BCX C-42-701X	M MNG14BCMX C-42-1501X	M MU14BCHTX C-26-001X
12-10	M M10BCX D-42-201X	M MV10BCX D-42-401X	M MNG10BCX D-42-501X	M MN10BCX D-42-701X	M MNG10BCMX D-42-1501X	M MU10BCHTX D-26-001X
8	M M8BCX E-42-201X	M MV8BCX E-42-401X				
6	M M6BCX F-42-201X	M MV6BCX F-42-401X				
4	M M4BCX G-42-201X					

Parallel Connector	
Wire Range	 Vinyl Insulated
16-14	M MVU14PCX C-44-1101X
12-10	M MVU10PCX D-44-1101X

Specials

Male/Male/Female/Adapter UL/CSA		Male/Female/Male/Adapter		Male/Male/Fully Insulated Disconnect		
Mating Tab Female/ Male		Mating Tab Female/ Male		Mating Tab		
						
Width	Thick	Width	Thick	Width	Thick	Vinyl Insulated
.250 (.032 (.250 (.032 (.250 (.032 (M MVA250DMMIX Z-36-001X
M MA250DMMFX Z-62-003X		M MA250DMFMX Z-50-003X				

 UL Listed or Recognized, CSA Certified where applicable.
See individual package for complete listing and certification information.

3M Scotchlok™ Boxed Terminal Selector

Insulated Disconnects			UL/CSA except MVU14-110DFX and MNG14-110DFX			
Wire Range	Mating Tab		Female Vinyl Insulated	Male Vinyl Insulated	Female Nylon Insulated with Insulation Grip	Male Nylon Insulated with Insulation Grip
	Width	Thickness				
22-18	.250 (.032 (M MVU18-250DFX B-29-1101X	M MVU18-250DMX B-35-1102X	M MNG18-250DFX B-29-501X	M MNG18-250DMX B-35-502X
16-14	.110 (.020 (M MVU14-110DFX C-29-1101X		M MNG14-110DFX C-29-501X	
	.187 (.020 (M MVU14-187DFX C-29-1103X	M MVU14-187DMX C-35-1101X	M MNG14-187DFX C-29-503X	M MNG14-187DMX C-35-501X
	.250 (.032 (M MVU14-250DFX C-29-1104X	M MVU14-250DMX C-35-1102X	M MNG14-250DFX C-29-504X	M MNG14-250DMX C-35-502X
12-10	.250 (.032 (M MVU10-250DFX D-82-1101X	M MVU10-250DMX D-35-1101X	M MNG10-250DFX D-82-501	M MNG10-250DMX D-35-501X



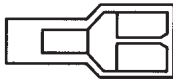
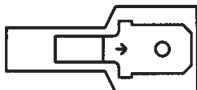
Non-Insulated Disconnects				Non-Insulated Female Flag Disconnect				
Wire Range	Mating Tab		Female Non-Insulated	Male Non-Insulated	Wire Range	Mating Tab		Non-Insulated
	Width	Thick.				Width	Thick.	
22-18	.250 (.032 (M MU18-250DFX B-29-101X		22-18	.187 (.020 (M MU18-187DF/FLAGX 1 B-32-001X
						.250 (.032 (M MU18-250DF/FLAGX 2 UL/CSA B-32-002X
16-14	.110 (.020 (M MU14-110DFX C-29-101X		16-14	.187 (.020 (M MU14-187DF/FLAGX 1 C-32-001X
	.187 (.020 (M MU14-187DFX C-29-103X	M MU14-250DMX C-35-102X		.250 (.032 (M MU14-250DF/FLAGX 2 UL/CSA C-32-002X
	.250 (.032 (M MU14-250DFX C-29-104X					
12-10	.250 (.032 (M MI10-250DFX D-82-301X	M MU10-250DMX D-35-101X				


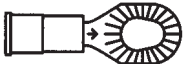
Multi-Stack Disconnect				Disconnects – Bullet and Receptacle			
Wire Range	Width	Thick.	Vinyl Insulated	Wire Range	Snap Diameter	Vinyl Insulated	Nylon Insulated with Insulation Grip
16-14	.250 (.032 (M MVU14-250DMFX C50-1101X	16-14	.156 (M MVU14-156DMX C-41-1101X	M MNG14-156DFIX C-33-501X
					.180 (M MVU14-180DMX C-41-1102X	M MNG14-180DFIX C-33-502X

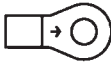
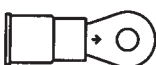
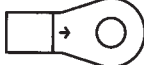

Self-Stripping Disconnect				High-Temperature Disconnects			
Wire Range	Width	Thickness	T-Tap Nylon Insulated UL/CSA	Fuse Holder Polypropylene	Female	High-Temperature Disconnects	
						1	2
22-18	.250 (.032 (M 951X			M MU14-250DFHTX 1 C-27-002X	
16-14	.250 (.032 (M 952X	M 972X*			
12	.250 (.032 (M 953X		Male	M MU14-250DMHTX 2 C-28-002X	

*Mating Fuse Tabs .0259 Thick, .219W ide, Separated .169


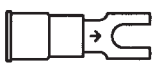

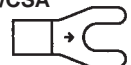


3M Scotchlok™ Boxed Terminal Selector

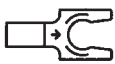
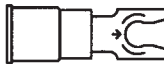

Fully Insulated Disconnects			UL/CSA			
Wire Range	Mating Tab					
	Width	Thickness	Female Nylon Insulated	Male Nylon Insulated	Female Nylon Insulated with Insulated Grip	Male Nylon Insulated with Insulated Grip
22-18	.187 (.020 (M MNU18-187DFIX B-54-1202X	M MNU18-187DMIX B-63-1202X	M MNG18-187DFIX B-54-502X	M MNG18-187DMIX B-63-502X
	.250 (.032 (M MNU18-250DFIX B-54-1203X	M MNU18-250DMIX B-63-1203X	M MNG18-250DFIX B-54-503X	M MNG18-250DMIX B-63-503X
16-14	.187 (.020 (M MNU14-187DFIX C-54-1202X	M MNU14-187DMIX C-63-1202X	M MNG14-187DFIX C-54-502X	M MNG14-187DMIX C-63-502X
	.250 (.032 (M MNU14-250DFIX C-54-1203X	M MNU14-250DMIX C-63-1203X	M MNG14-250DFIX C-54-503X	M MNG14-250DMIX C-63-503X
12-10	.250 (.032 (M MNU10-250DFIX D-82-1203X	M MNU10-250DMIX D-63-1203X	M MNG10-250DFIX D-82-503X	M MNG10-250DMIX D-63-503X

High-Temperature Ring			Multi-Stud				
Wire Range	Stud Size		Temperature Rating: 900°F (482°C) Continuous	Wire Range	Stud Size		
		Non-Insulated				Vinyl Insulated	
22-18	6	M MU18-6RHT/SX B-25-001X		22-18	6-8-10	M MV18-610RX B-60-402X	
	10	M MU18-10RHTX B-25-002X				M MV14-610RX C-60-402X	
16-14	6	M MU14-6RHT/SX C-25-001X			16-14	6-8-10	M MV14-610RX C-60-402X
	10	M MU14-10RHTX C-25-002X					
	1/4 (M MU14-14RHTX C-25-003X					
12-10	10	M MU10-10RHTX D-25-002X			12-10	6-8-10	M MV10-610RX D-60-402X

Ring		UL/CSA		Nylon Insulated with Insulation Grip		Nylon Insulated	
Wire Range	Stud Size			Wire Range	Stud Size		
		Non-Insulated	Vinyl Insulated			Non-Insulated	Nylon Insulated
22-18	4	M M18-4R/SX B-01-202X	M MV18-4R/SX B-01-402X	8	10	M M8-10R/SX E-01-201X	M MN8-14R/SX E-01-703X
	6	M M18-6R/SX B-01-204X	M MV18-6R/SX B-01-404X			M M8-14R/SX E-01-203X	
	8	M M18-8R/LX B-01-210X	M MV18-8R/LX B-01-410X			M M8-516RX E-01-205X	
	10	M M18-10R/LX B-01-212X	M MV18-10R/LX B-01-412X			M M8-38RX E-01-206X	
	1/4 (M M18-14R/SX B-01-213X	M MV18-14R/SX B-01-413X				
	5/16 (M M18-516R/SX B-01-214X	M MV18-516R/SX B-01-414X				
	3/8 (M M18-38RX B-01-217X	M MV18-38RX B-01-417X				
16-14	4	M M14-4R/SX C-01-202X	M MV14-4R/SX C-01-402X	6	10	M M6-10R/SX F-01-201X	M MN6-14R/SX F-01-703X
	6	M M14-6R/SX C-01-204X	M MV14-6R/SX C-01-404X			M M6-14R/SX F-01-203X	
	8	M M14-8R/LX C-01-209X	M MV14-8R/LX C-01-409X			M M6-516RX F-01-205X	
	10	M M14-10R/LX C-01-211X	M MV14-10R/LX C-01-411X			M M6-38RX F-01-206X	
	1/4 (M M14-14R/SX C-01-212X	M MV14-14R/SX C-01-412X				
	5/16 (M M14-516R/SX C-01-214X	M MV14-516R/SX C-01-414X				
	3/8 (M M14-38RX C-01-217X	M MV14-38RX C-01-416X				
12-10	4	M M10-6RX D-01-203X	M MV10-6RX D-01-403X	4	10	M M4-10RX G-01-201X	
	8	M M10-8RX D-01-205X	M MV10-8RX D-01-405X			M M4-14RX G-01-202X	
	10	M M10-10RX D-01-206X	M MV10-10RX D-01-406X			M M4-516RX G-01-203X	
	1/4 (M M10-14R/SX D-01-207X	M MV10-14R/SX D-01-407X			M M4-38RX G-01-204X	
	5/16 (M M10-516R/SX D-01-209X	M MV10-516R/SX D-01-409X				
	3/8 (M M10-38R/SX D-01-211X	M MV10-38R/SX D-01-411X				
	1/2 (M MV10-12RX D-01-414X				

3M Scotchlok™ Boxed Terminal Selector

Block Fork		UL/CSA			Fork		UL/CSA		
Wire Range	Stud Size	 Non-Insulated	 Vinyl Insulated	 Nylon Insulated w/ Insulation Grip	Wire Range	Stud Size	 Non-Insulated	 Vinyl Insulated	 Nylon Insulated w/ Insulation Grip
22-18	6	M M18-6FBX B-10-202X	M MV18-6FBX B-10-402X	M MNG18-6FBX B-10-502X	22-18	6	M M18-6FX B-06-201X	M MV18-6FX B-06-401X	M MNG18-6FX B-06-501X
	8	M M18-8FBX B-10-203X	M MV18-8FBX B-10-403X	M MNG18-8FBX B-10-503X		8	M M18-8FX B-06-203X	M MV18-8FX B-06-403X	M MNG18-8FX B-06-503X
	10	M M18-10FBX B-10-204X	M MV18-10FBX B-10-404X	M MNG18-10FBX B-10-504X		10	M M18-10FX B-06-205X	M MV18-10FX B-06-405X	
16-14	6	M M14-6FBX C-10-202X	M MV14-6FBX C-10-402X	M MNG14-6FBX C-10-502X	16-14	6	M M14-6FX C-06-201X	M MV14-6FX C-06-401X	M MNG14-6FX C-06-501X
	8	M M14-8FBX C-10-203X	M MV14-8FBX C-10-403X	M MNG14-8FBX C-10-503X		8	M M14-8FX C-06-203X	M MV14-8FX C-06-403X	M MNG14-8FX C-06-503X
	10	M M14-10FBX C-10-204X	M MV14-10FBX C-10-404X	M MNG14-10FBX C-10-504X		10	M M14-10FX C-06-205X	M MV14-10FX C-06-405X	M MNG14-10FX C-06-505X
12-10	6		M MV10-6FBX D-10-401X	M MNG10-6FBX D-10-501X	12-10	6		M MV10-6FX D-06-401X	
	8	M M10-8FBX D-10-202X	M MV10-8FBX D-10-402X	M MNG10-8FBX D-10-502X		8	M M10-8FX D-06-202X	M MV10-8FX D-06-402X	M MNG10-8FX D-06-502X
	10	M M10-10FBX D-10-203X	M MV10-10FBX D-10-403X	M MNG10-10FBX D-10-503X		10	M M10-10FX D-06-203X	M MV10-10FX D-06-403X	M MNG10-10FX D-06-503X

Locking Fork		UL/CSA		
Wire Range	Stud Size	 Non-Insulated (Brazed Seam)	 Vinyl Insulated (Brazed Seam)	 Nylon Insulated with Insulation Grip
22-18	4			M MNG18-4FLX B-61-501X
	6	M M18-6FLX B-61-202X	M MV18-6FLX B-61-402X	M MNG18-6FLX B-61-502X
	8	M M18-8FLX B-61-203X	M MV18-8FLX B-61-403X	M MNG18-8FLX B-61-503X
	10	M M18-10FLX B-61-204X	M MV18-10FLX B-61-404X	M MNG18-10FLX B-61-504X
16-14	4		M MV14-4FLX C-61-401X	M MNG14-4FLX C-61-501X
	6	M M14-6FLX C-61-202X	M MV14-6FLX C-61-402X	M MNG14-6FLX C-61-502X
	8	M M14-8FLX C-61-203X	M MV14-8FLX C-61-403X	M MNG14-8FLX C-61-503X
	10	M M14-10FLX C-61-204X	M MV14-10FLX C-61-404X	M MNG14-10FLX C-61-504X
	1/4 (M M14-14FLX C-61-205X	M MV14-14FLX C-61-405X	M MNG14-14FLX C-61-505X
12-10	6	M M10-6FLX D-61-201X	M MV10-6FLX D-61-401X	M MNG10-6FLX D-61-501X
	8	M M10-8FLX D-61-202X	M MV10-8FLX D-61-402X	M MNG10-8FLX D-61-502X
	10	M M10-10FLX D-61-203X	M MV10-10FLX D-61-403X	M MNG10-10FLX D-61-503X
	1/4 (M M10-14FLX D-61-204X	M MV10-14FLX D-61-404X	M MNG10-14FLX D-61-504X



UL Listed or Recognized, CSA Certified where applicable.
See individual package for complete listing and certification information.