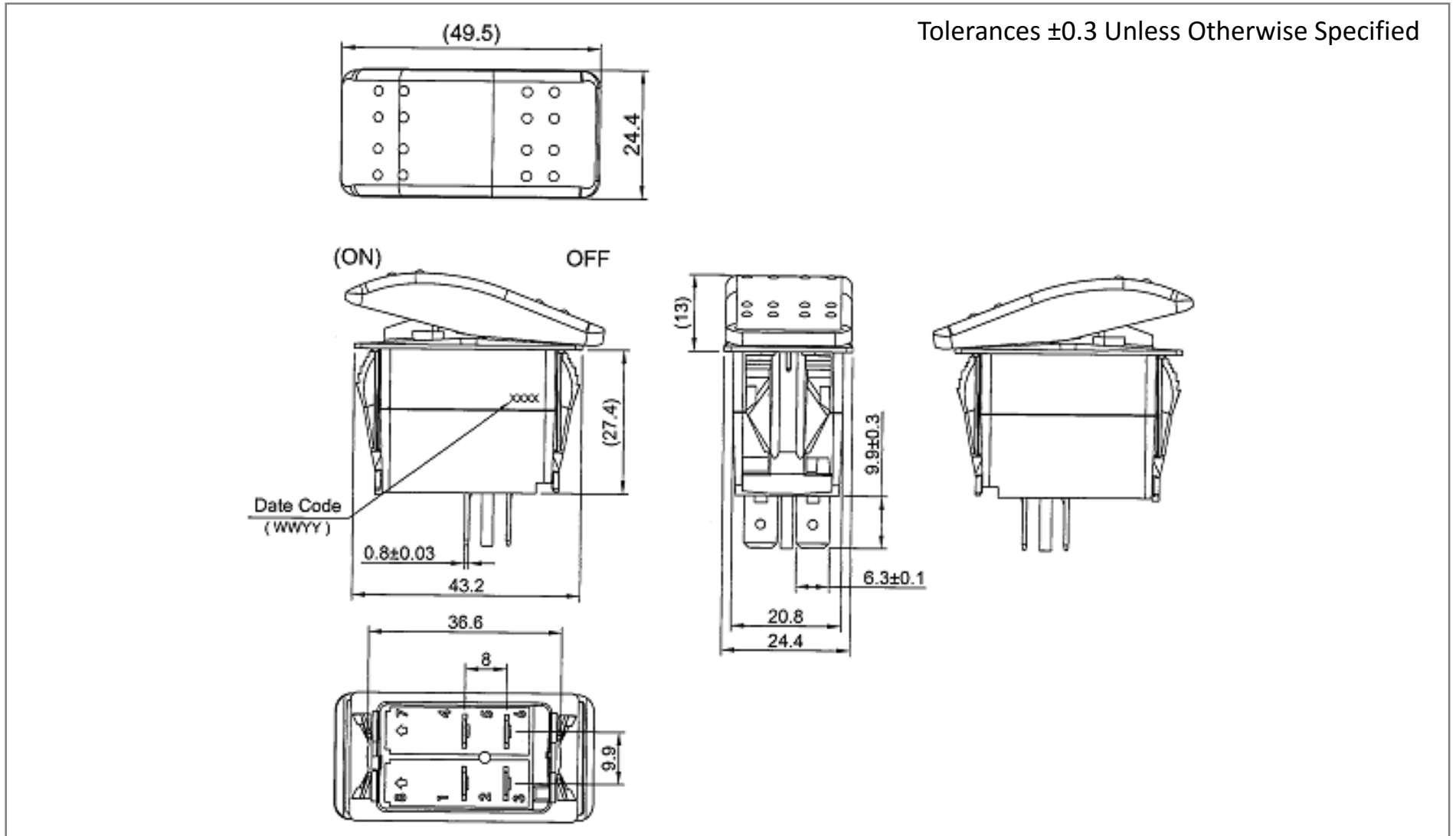
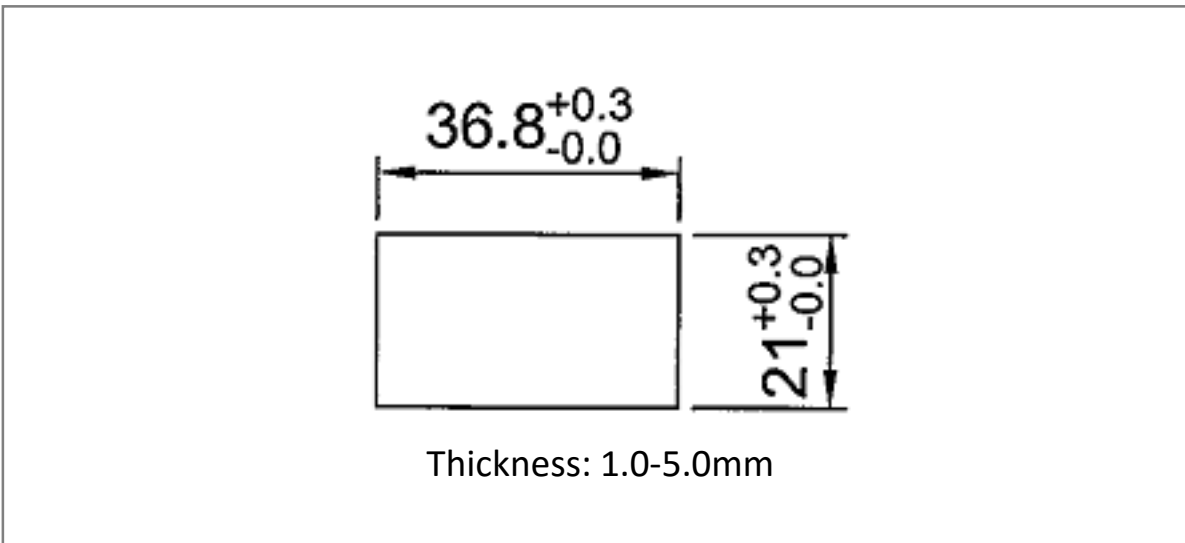


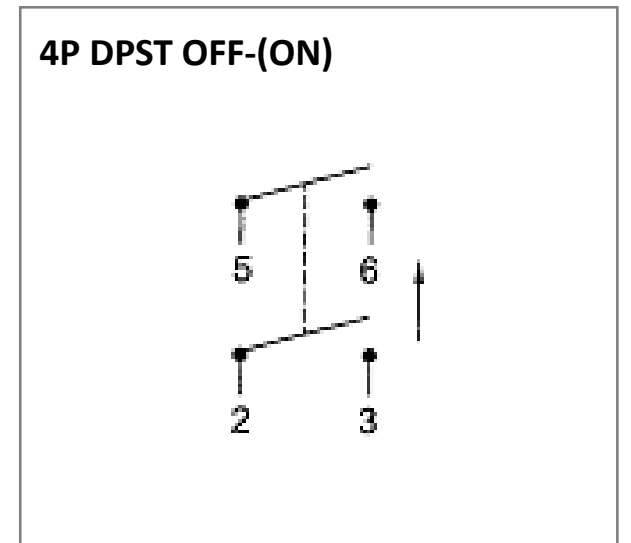
**Mechanical Dimensions (mm)**



**Mounting Hole**



**Circuit Diagram**



**Electrical Specifications**

|                              |                       |
|------------------------------|-----------------------|
| <b>Rating</b>                | 21A 14V DC            |
| <b>Contact Resistance</b>    | 50m ohm Max.          |
| <b>Insulation Resistance</b> | DC 500V 100M ohm Min. |
| <b>Dielectric Strength</b>   | AC 1500V 1 minute     |
| <b>Operation Temperature</b> | -25°C~85°C            |

**Material Specifications**

|                   |                         |
|-------------------|-------------------------|
| <b>Frame</b>      | Black, Nylon 66 (94V-2) |
| <b>Actuator</b>   | Red, Nylon 66 (94V-2)   |
| <b>Terminals</b>  | Silver plated copper    |
| <b>Waterproof</b> | IP56                    |