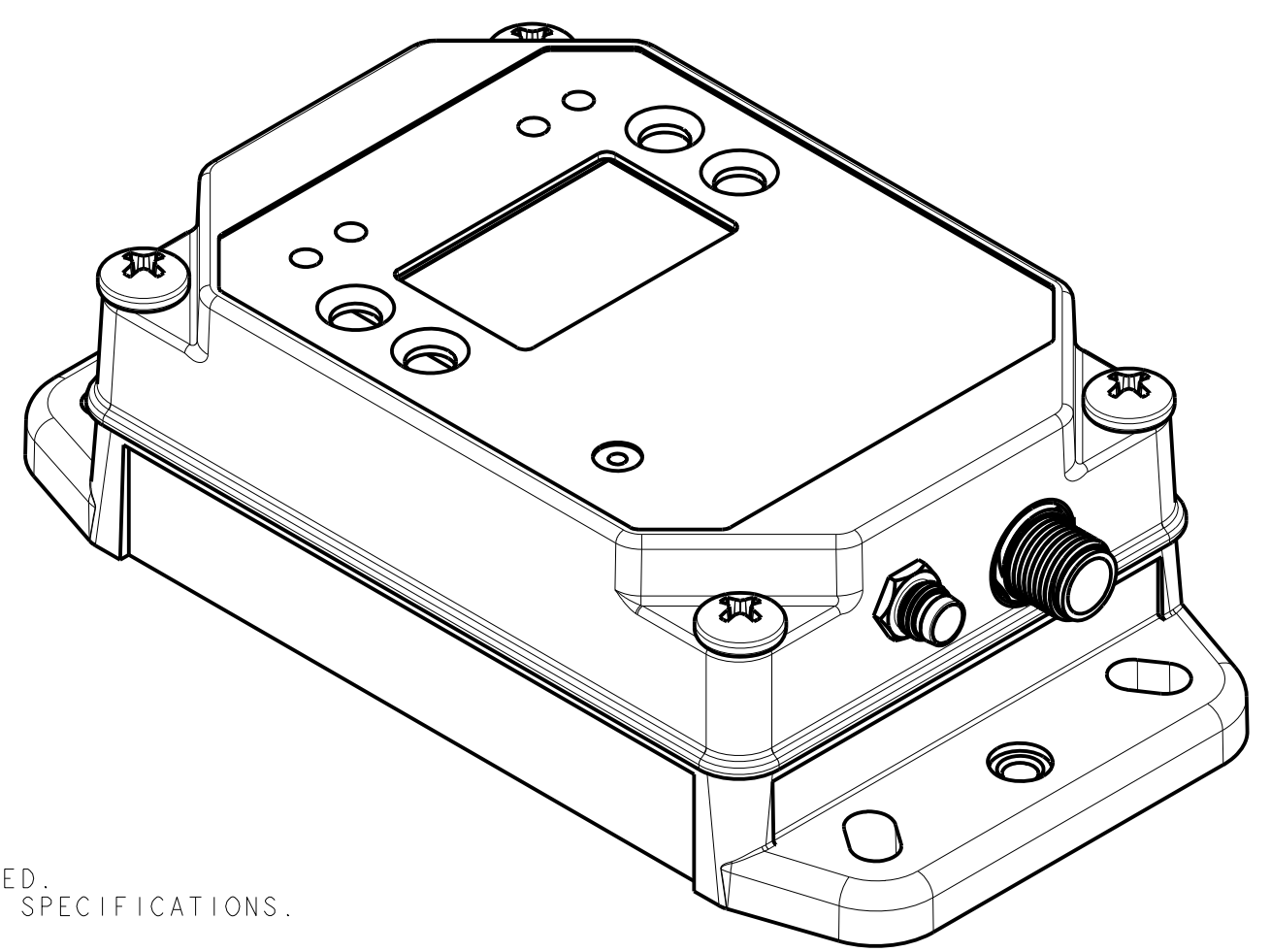
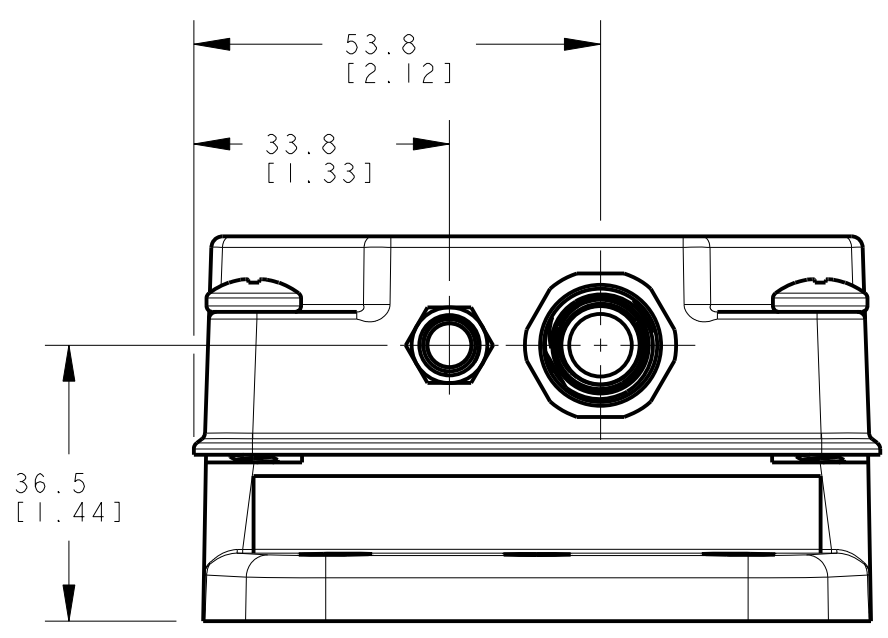
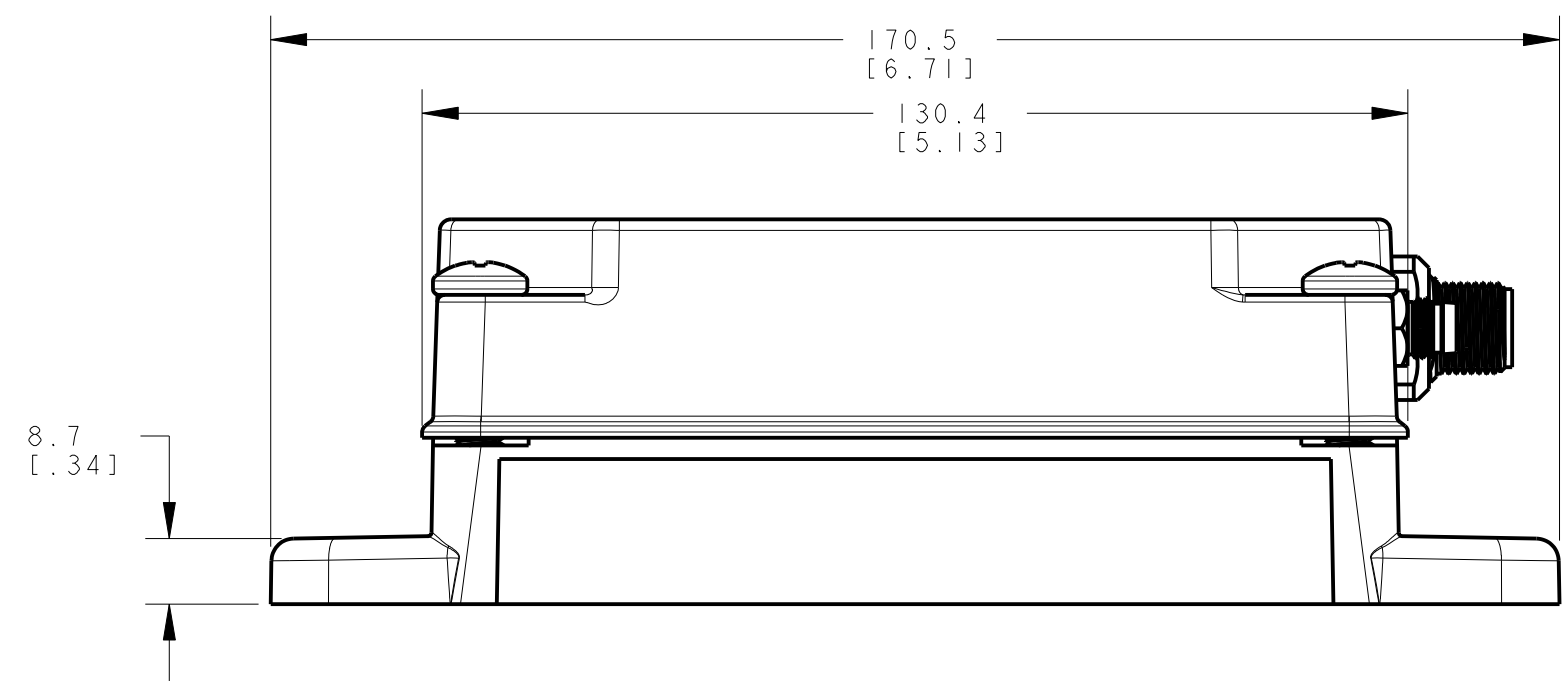
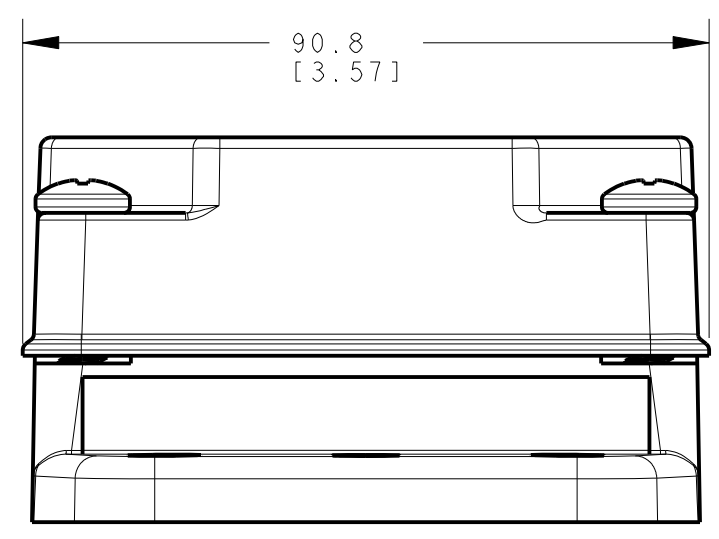
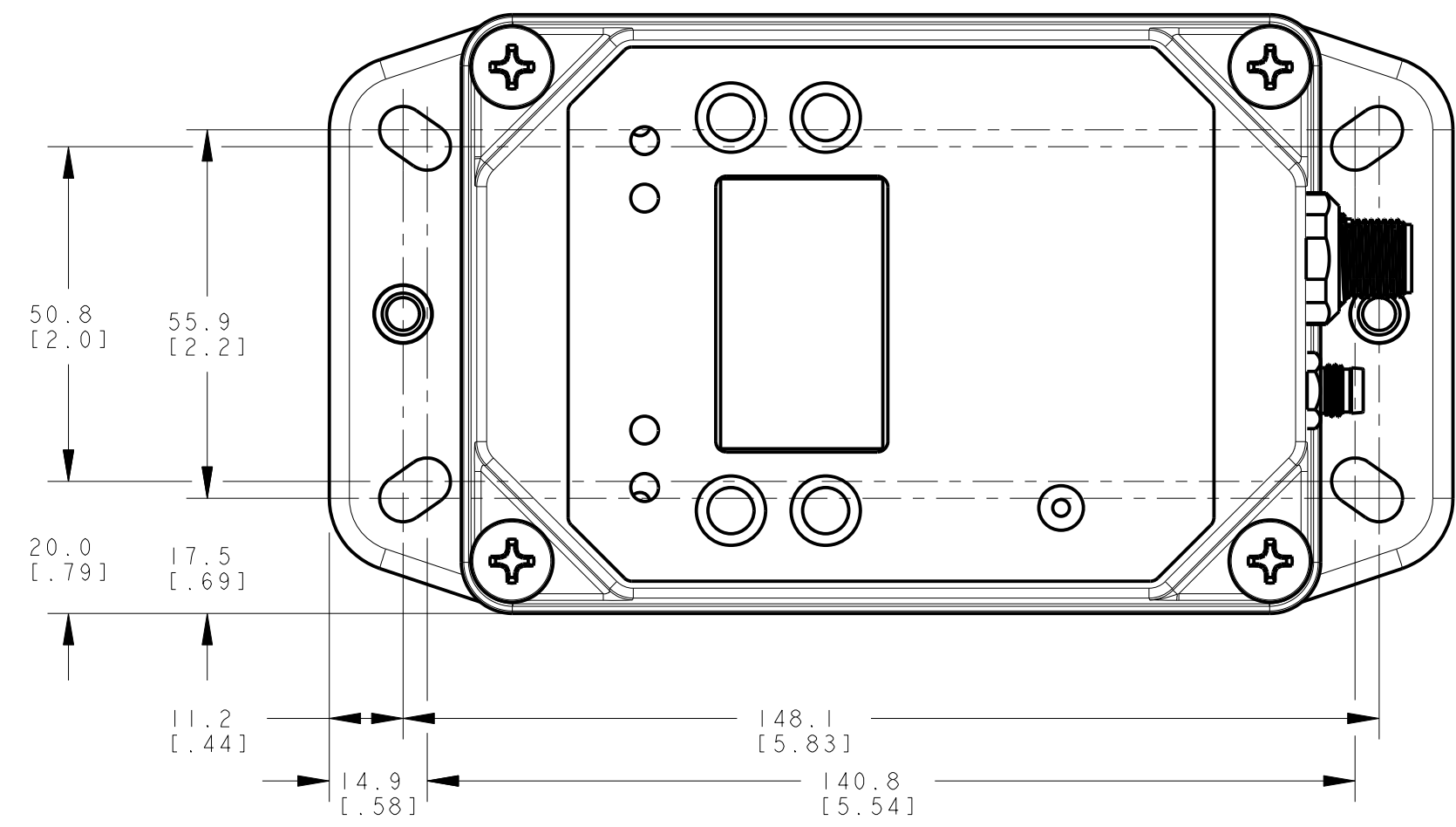


DXMI200

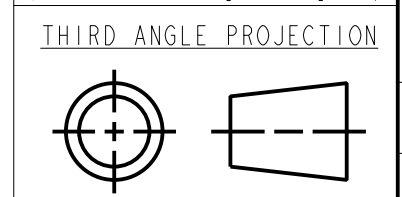


NOTES:
 1. ALL DIMENSIONS ARE MILLIMETERS [INCHES] UNLESS OTHERWISE NOTED.
 2. REFER TO "www.bannerengineering.com" FOR ADDITIONAL DATA AND SPECIFICATIONS.

This drawing is the property of BANNER ENGINEERING CORP. Any use or reproduction, in any form, without prior written permission of Banner is prohibited. © 2015 Banner Engineering Corp.



BANNER ENGINEERING CORP.
 www.bannerengineering.com



TITLE STARTERKIT1200 PRES		
SIZE C	DRAWING NO. 218791	REV. A
SCALE 1:1		SHEET 1 OF 2

CREO

8

7

6

5

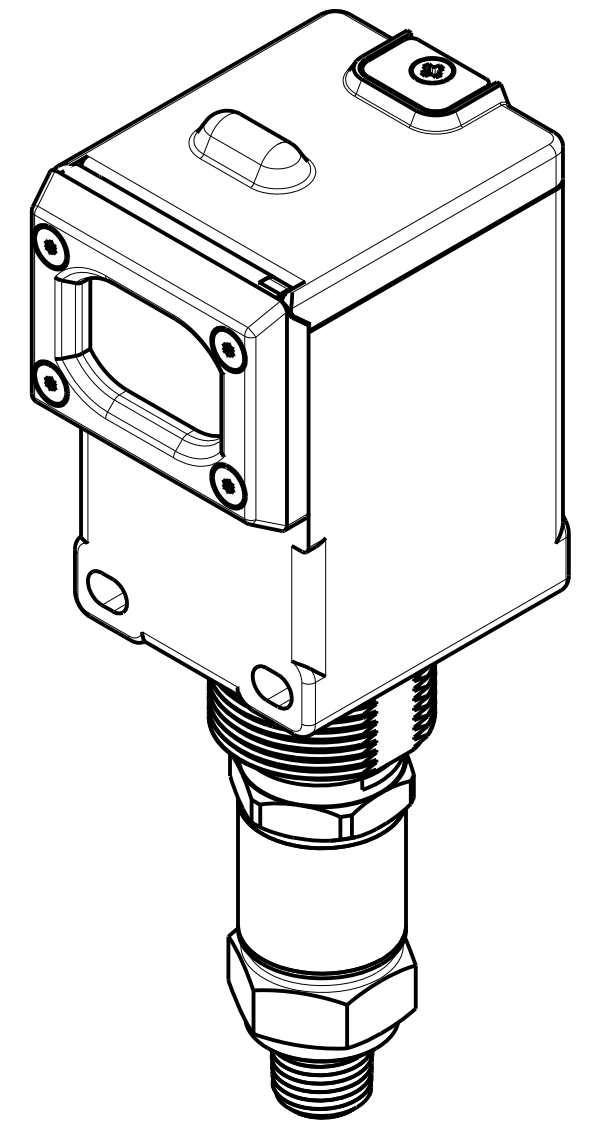
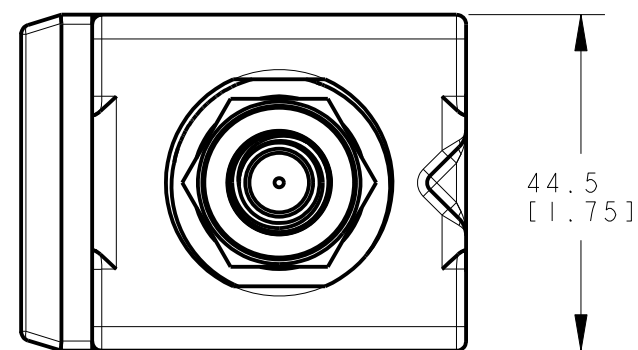
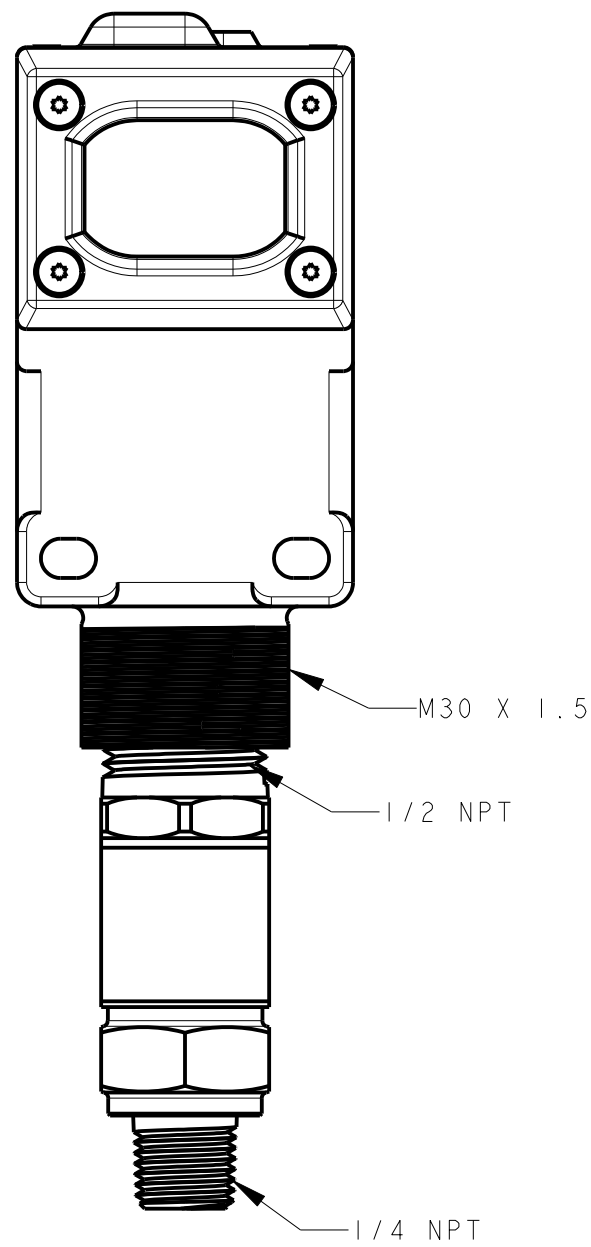
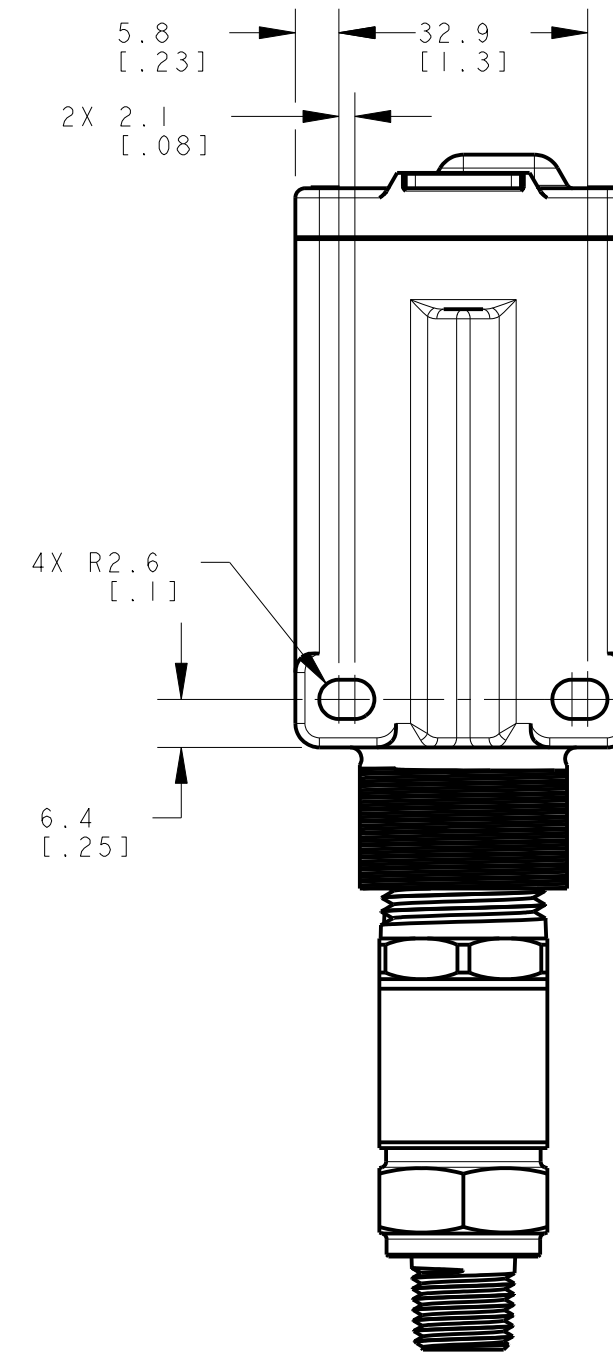
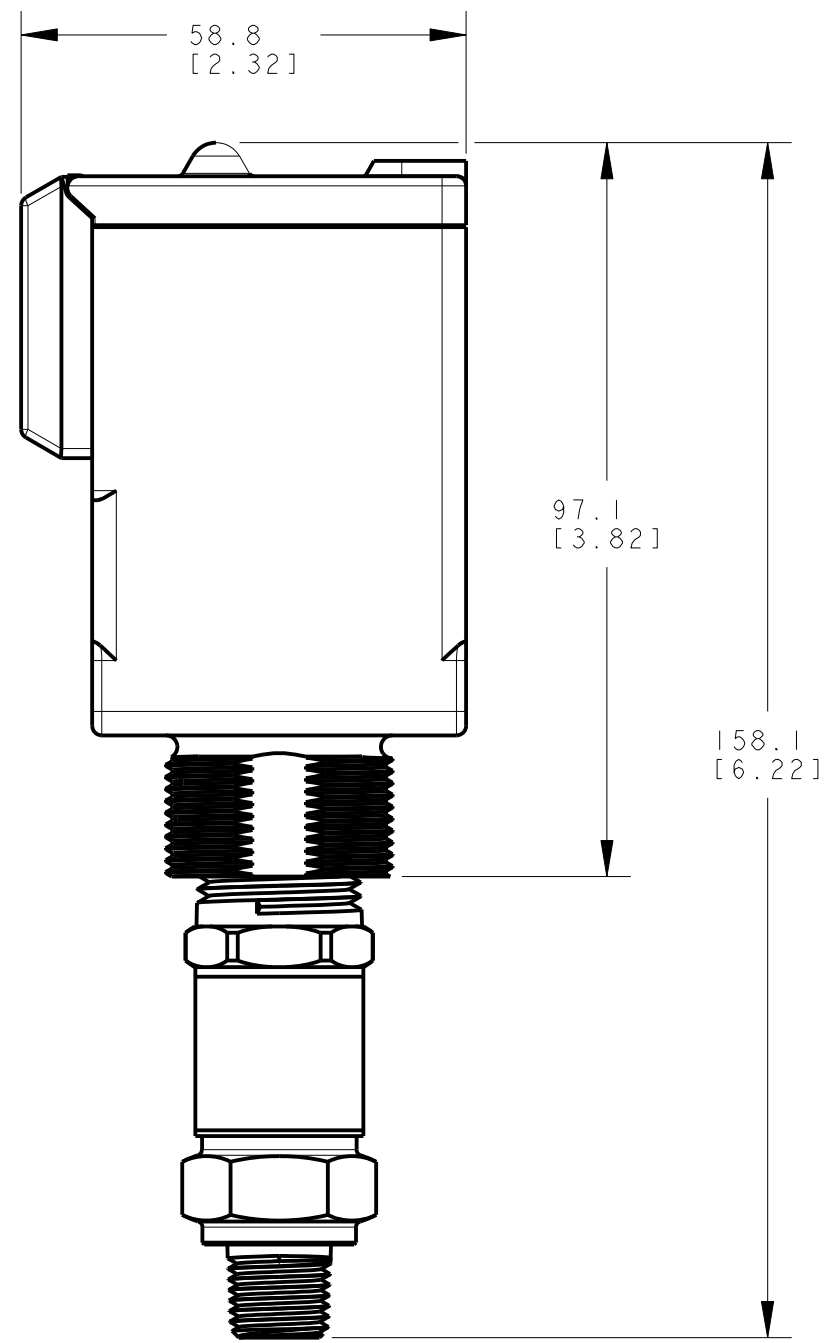
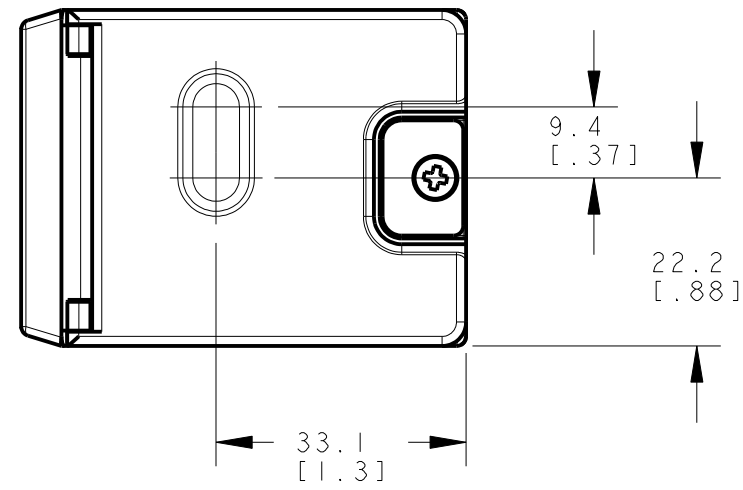
4

3

2

1

Q45PSG



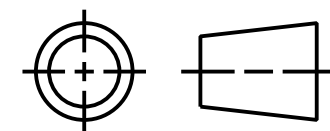
ISOMETRIC VIEW

NOTES:
 1. ALL DIMENSIONS ARE MILLIMETERS [INCHES] UNLESS OTHERWISE NOTED.
 2. REFER TO "www.bannerengineering.com" FOR ADDITIONAL DATA AND SPECIFICATIONS.

This drawing is the property of BANNER ENGINEERING CORP. Any use or reproduction, in any form, without prior written permission of Banner is prohibited.
 © 2015 Banner Engineering Corp.



THIRD ANGLE PROJECTION



TITLE STARTERKIT1200 PRES		
SIZE C	DRAWING NO. 218791	REV. A
SCALE 1:1		SHEET 2 OF 2

CREO

8

7

6

5

4

3

2

1