

CPA TO BE INSTALLED IN PRE-LOCK POSITION AS SHOWN IN BOTH VIEWS. SEE NOTE #5

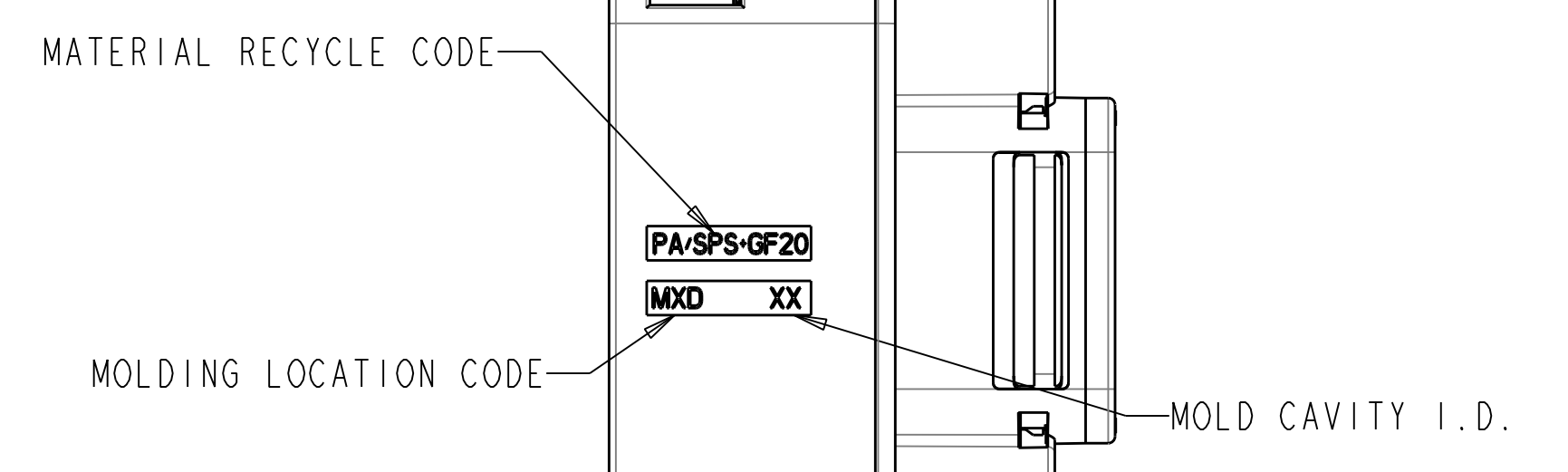
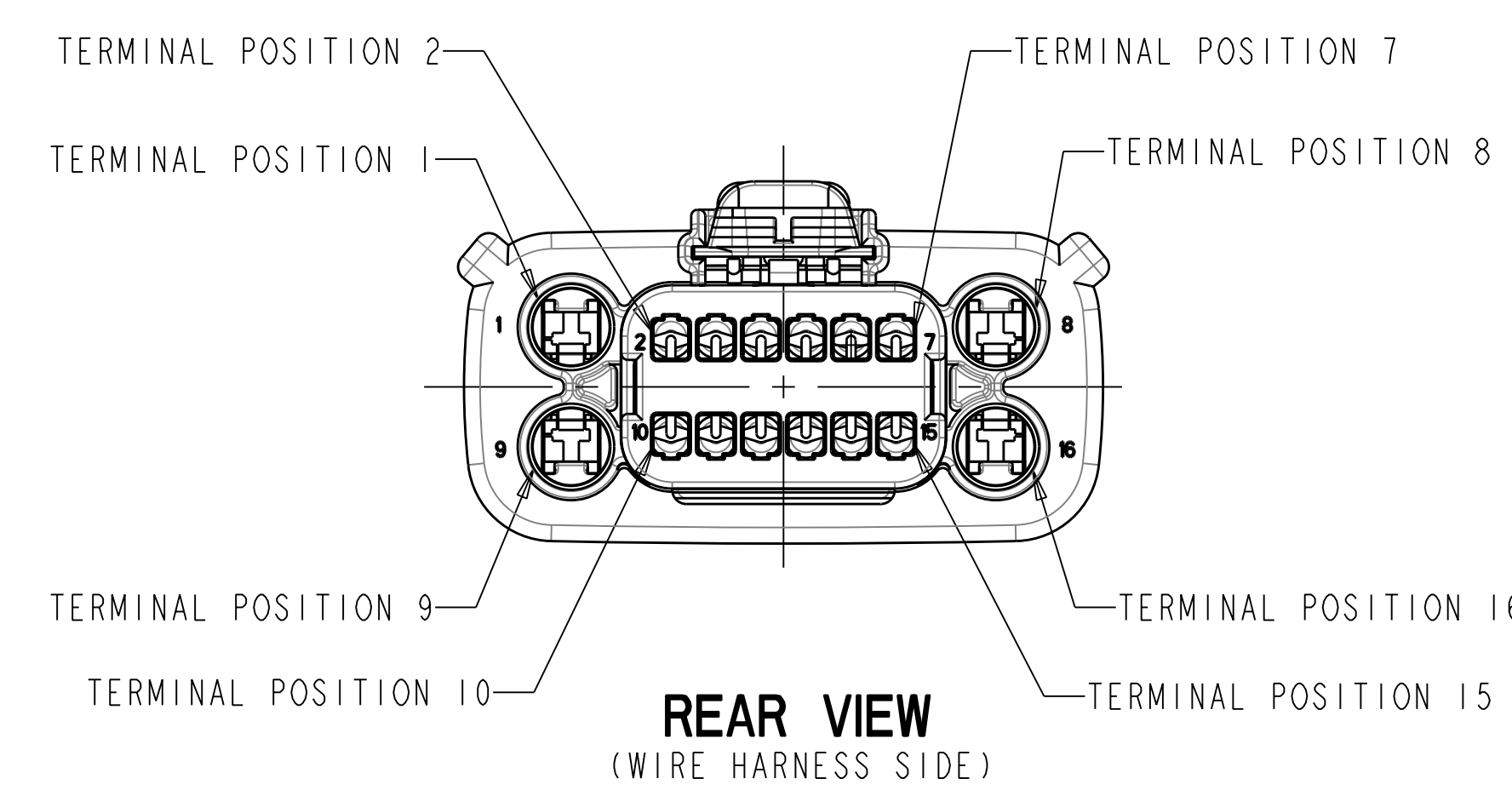
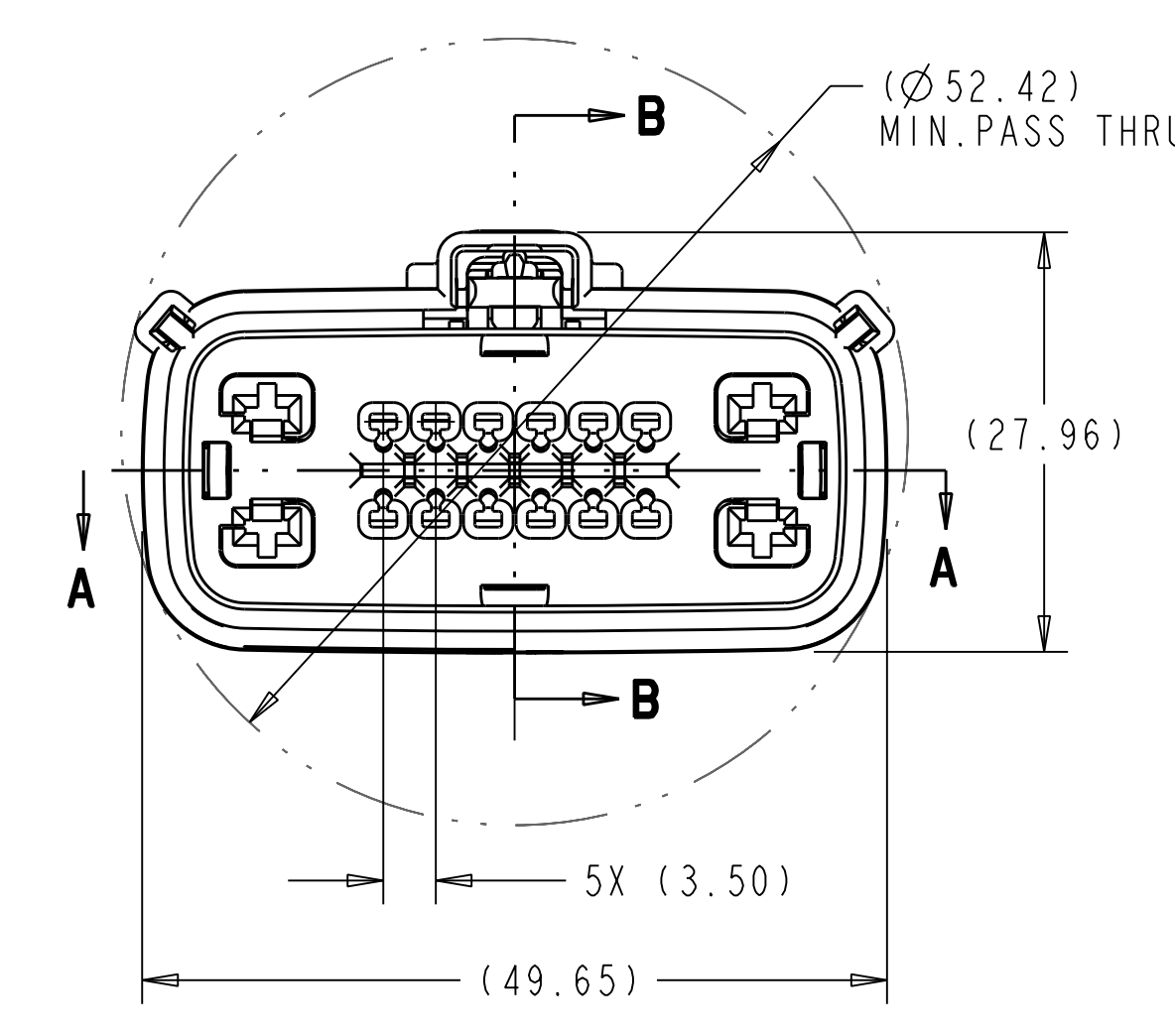
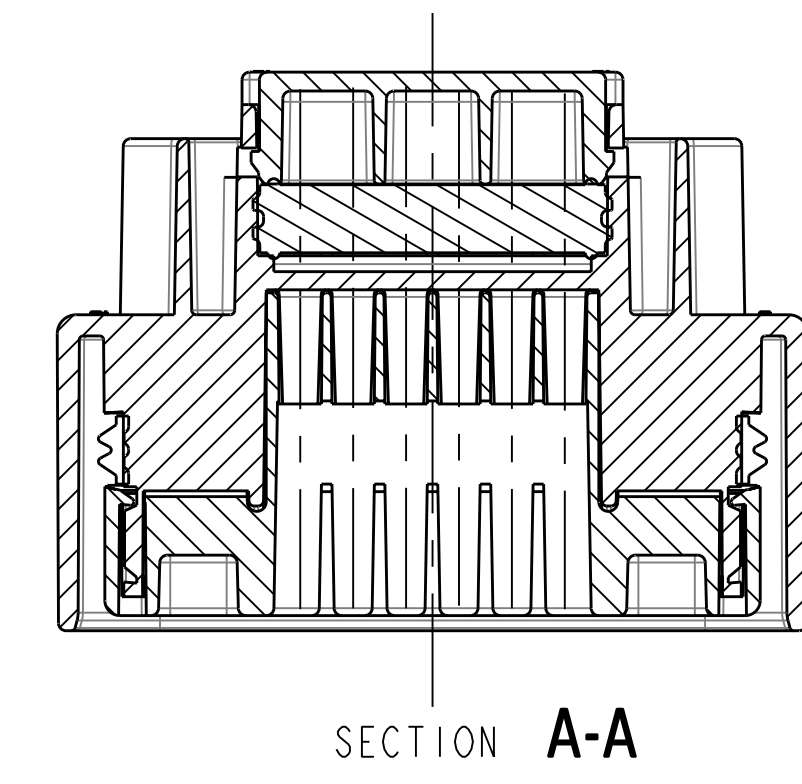
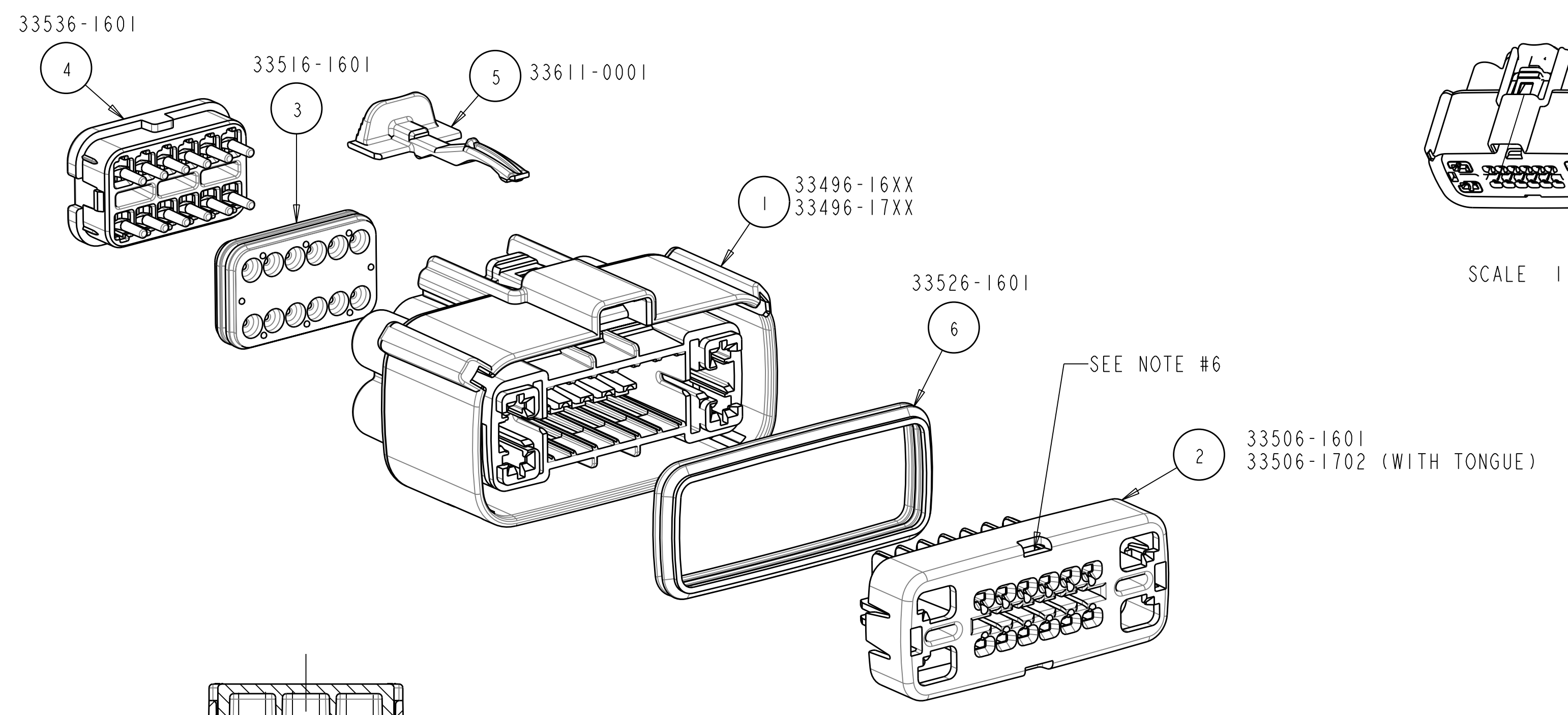
CPA TO BE INSTALLED IN PRE-LOCK POSITION AS SHOWN IN BOTH VIEWS. SEE NOTE #5

SECTION B-B
(RECEPTACLE INSERT WITH SHORTING BAR SHOWN IN PRE-LOCK)
SEE NOTE #2

SECTION B-B
(RECEPTACLE INSERT WITH SHORTING BAR SHOWN IN FULL-LOCK)
SEE NOTE #2

SECTION B-B
(RECEPTACLE INSERT SHOWN IN PRE-LOCK POSITION)
SEE NOTE #2

SECTION B-B
(RECEPTACLE INSERT SHOWN IN FULL-LOCK POSITION)
SEE NOTE #2



- NOTES: UNLESS OTHERWISE SPECIFIED
- DESIGNED TO MATE WITH BLADE HOUSING ASSEMBLY SPECIFIED IN CHARTED DRAWING E-33486-161 OR DEVICE CONNECTION AS SPECIFIED IN DRAWING E-33586-161. SEE CHART
 - ASSEMBLY SHIPPED WITH RECEPTACLE INSERT IN PRE-LOCK POSITION (SEE SECTION B-B PRE-LOCK). UPON FULL TERMINAL ASSEMBLY, EACH RECEPTACLE INSERT MUST BE SNAPPED INTO ITS FINAL-LOCK POSITION.
 - FOR 1.5mm RECEPTACLE TERMINALS TO BE USED WITH THIS ASSEMBLY, SEE MOLEX DRAWING E-33012-001. FOR FORD 2.8mm FEMALE RECEPTACLE SEE CHART.
 - SYSTEM TO BE USED WITH WIRE WITHIN Ø RANGE OF 1.2mm TO 2.4mm.
 - OPTIONAL CPA SHOWN IN ALL VIEWS. SEE TABLES FOR SPECIFIC ASSEMBLY OPTION AND NUMBER. CPA MUST BE INSERTED TO THE PRE-LOCK POSITION, AS SHOWN IN SECTION B-B. WHEN CORRECTLY SEATED THE CPA DOES NOT MOVE, FREELY.
 - SERVICE WITH SCREWDRIVER.
 - REFER TO SHEET # 2 OF THIS DRAWING FOR ALL PART NUMBER CONFIGURATION OPTIONS.
 - REFER TO ASSEMBLY DRAWING E-33476-181 FOR RECEPTACLE WITH CLIP SLOT OPTIONS.
 - a. ENGAGEMENT FORCE - NO TERMINALS (PRE TO FINAL): 15N MIN.
b. ENGAGEMENT FORCE - WITH TERMINALS (PRE TO FINAL): 60N MAX.
c. DISENGAGEMENT FORCE - WITH TERMINALS (FINAL TO PRE): 18N MIN. 60N MAX.
d. PARTIALLY INSTALLED TERMINAL DETECTION - 80N MIN OR 40N GREATER THAN (b) WHICHEVER IS GREATER.
e. REMOVAL FORCE - WITH TERMINALS (FINAL TO OUT OF CONNECTOR): 25N MIN.

| TYCO 2.8mm CABLE SEAL TERMINAL | |
|--------------------------------|-----------|
| FORD P/N | GRIP SIZE |
| IFIT-14474-KA | 12 |
| IFIT-14474-JA | 14 |
| IFIT-14474-HA | 16 |
| IFIT-14474-GA | 18 |
| IFIT-14474-FA | 20 |
| IFIT-14474-EA | 22 |

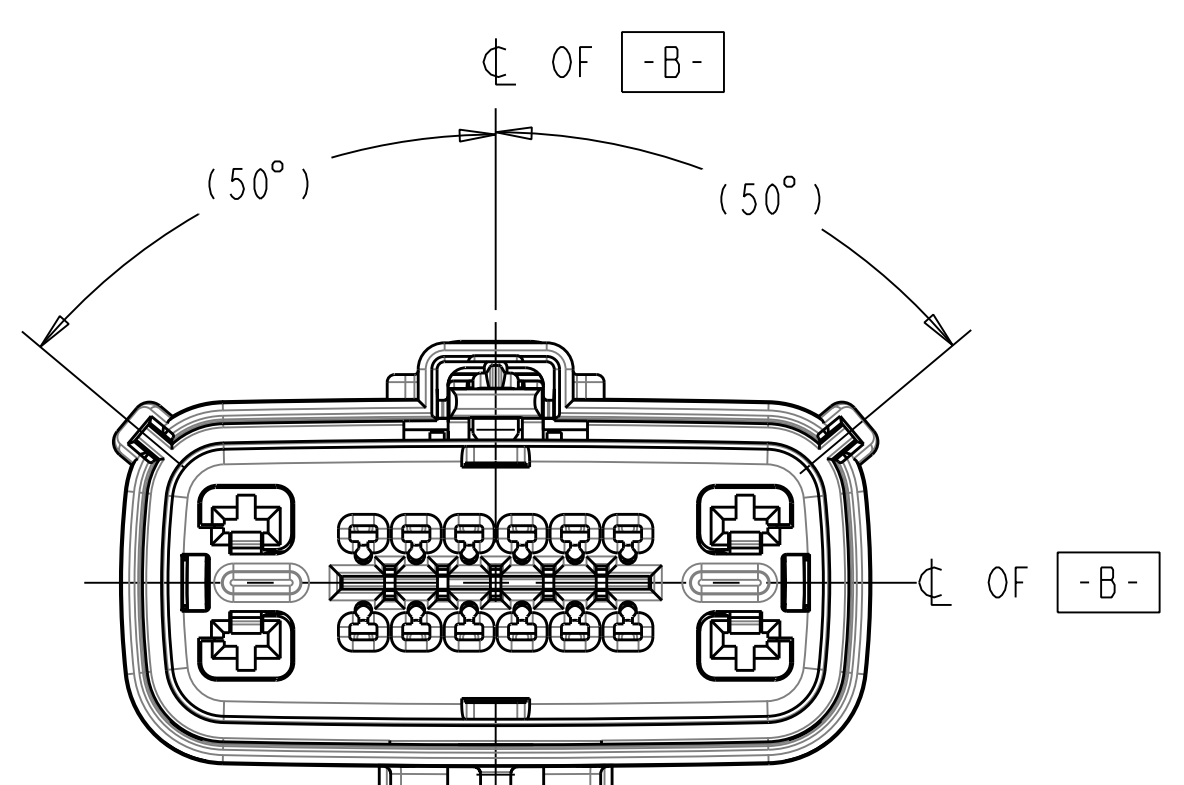
| | |
|----------------------------|-------------|
| EC NO: UA02005-0053 | DESCRIPTION |
| DRWN: D.GRIFFITHS 08-11-04 | |
| CHK: D.GRIFFITHS 08-11-04 | |
| APPR: D.GRIFFITHS 08-11-04 | |
| REV | |

| QUALITY SYMBOLS | GENERAL TOLERANCES (UNLESS SPECIFIED) | |
|-----------------|---------------------------------------|--------|
| | mm | INCH |
| 4 PLACES | ± .10 | ± .004 |
| 3 PLACES | ± .15 | ± .006 |
| 2 PLACES | ± 0.30 | ± .012 |
| 1 PLACE | ± 0.75 | ± .030 |
| | ANGULAR | ± 3° |

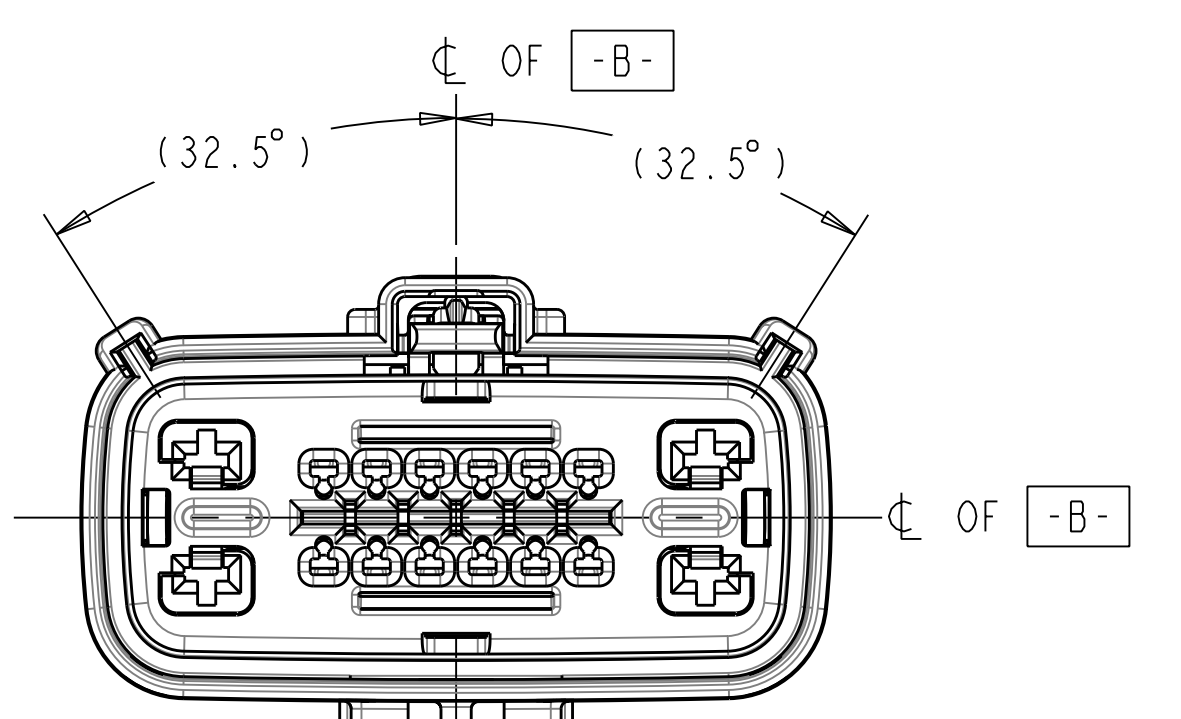
| | |
|-----------------|--------------|
| SCALE | DESIGN UNITS |
| 2:1 | mm |
| DIMENSION STYLE | |
| mm | |
| DRAWN BY | DATE |
| J. WESLEY | 06-16-02 |
| CHECKED BY | DATE |
| D.GRIFFITHS | 07-09-02 |
| APPROVED BY | DATE |
| F.HOLUB | 07-09-02 |

| | | | |
|--|--------------|--------------------|--|
| THIRD ANGLE PROJECTION | | REVISE ON CAD ONLY | |
| TITLE | | | |
| 1.5mm/2.8mm HYBRID CONNECTOR, RCPT 2 ROW HOUSING, SEALED, 16 WAY | | | |
| MOLEX MOLEX INCORPORATED | | | |
| MATERIAL NO. | DOCUMENT NO. | SHEET NO. | |
| - | SD-33476-161 | 1 OF 2 | |

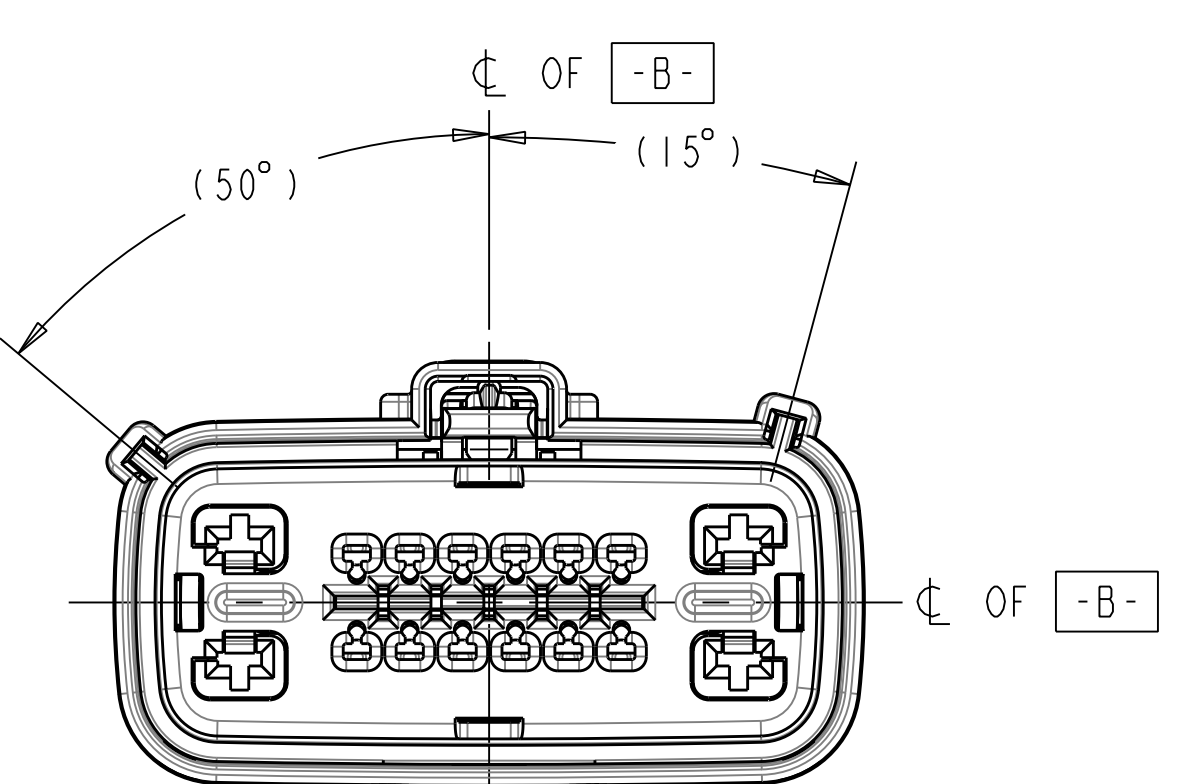
THIS DRAWING CONTAINS INFORMATION THAT IS PROPRIETARY TO MOLEX INCORPORATED AND SHOULD NOT BE USED WITHOUT WRITTEN PERMISSION



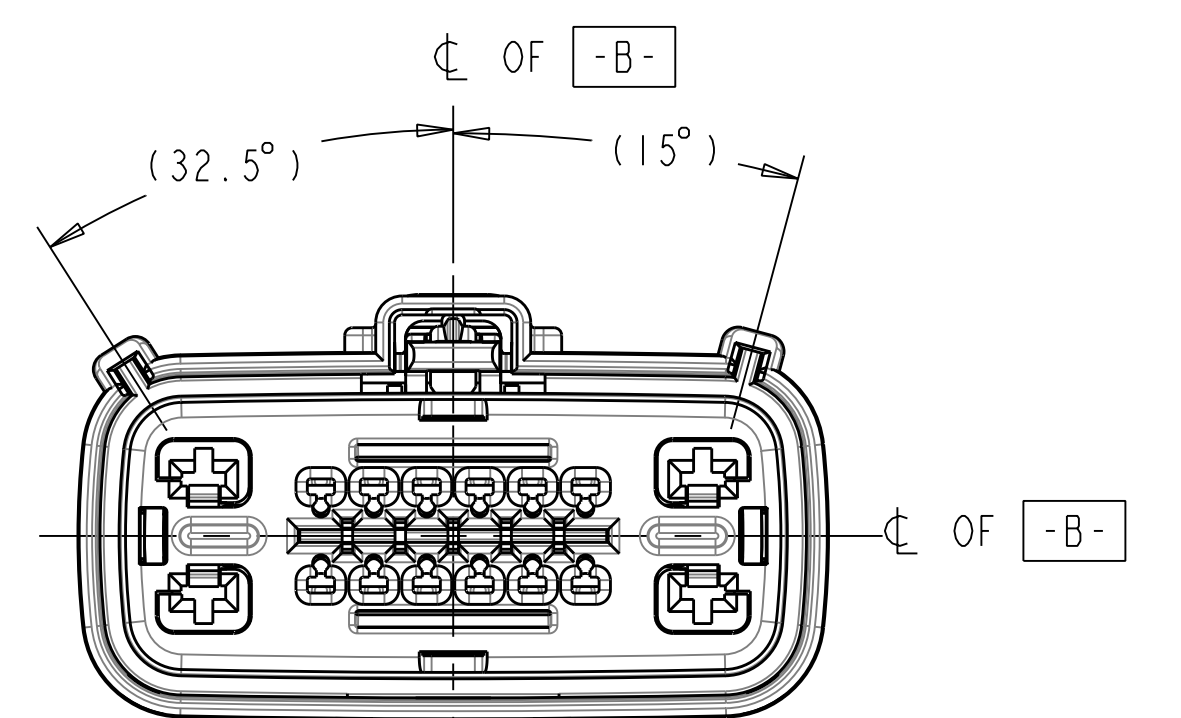
KEYING OPTION A
SCALE 2:1



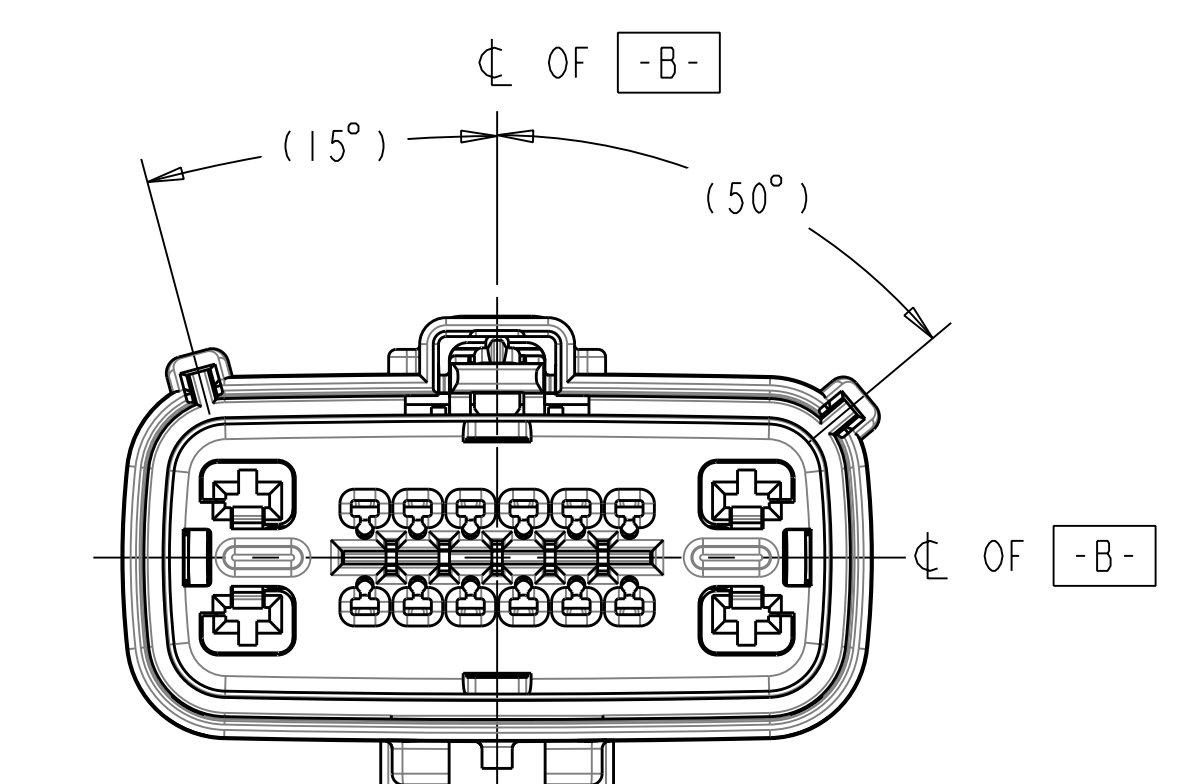
KEYING OPTION E
SCALE 2:1



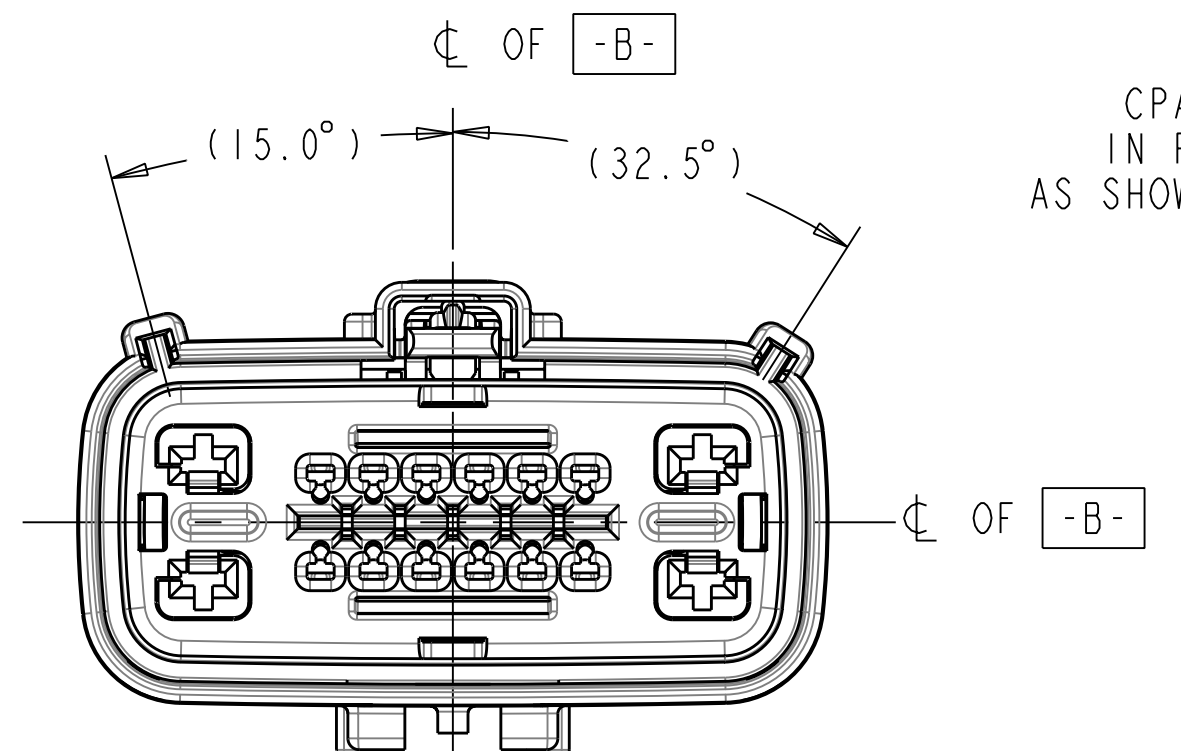
KEYING OPTION B
SCALE 2:1



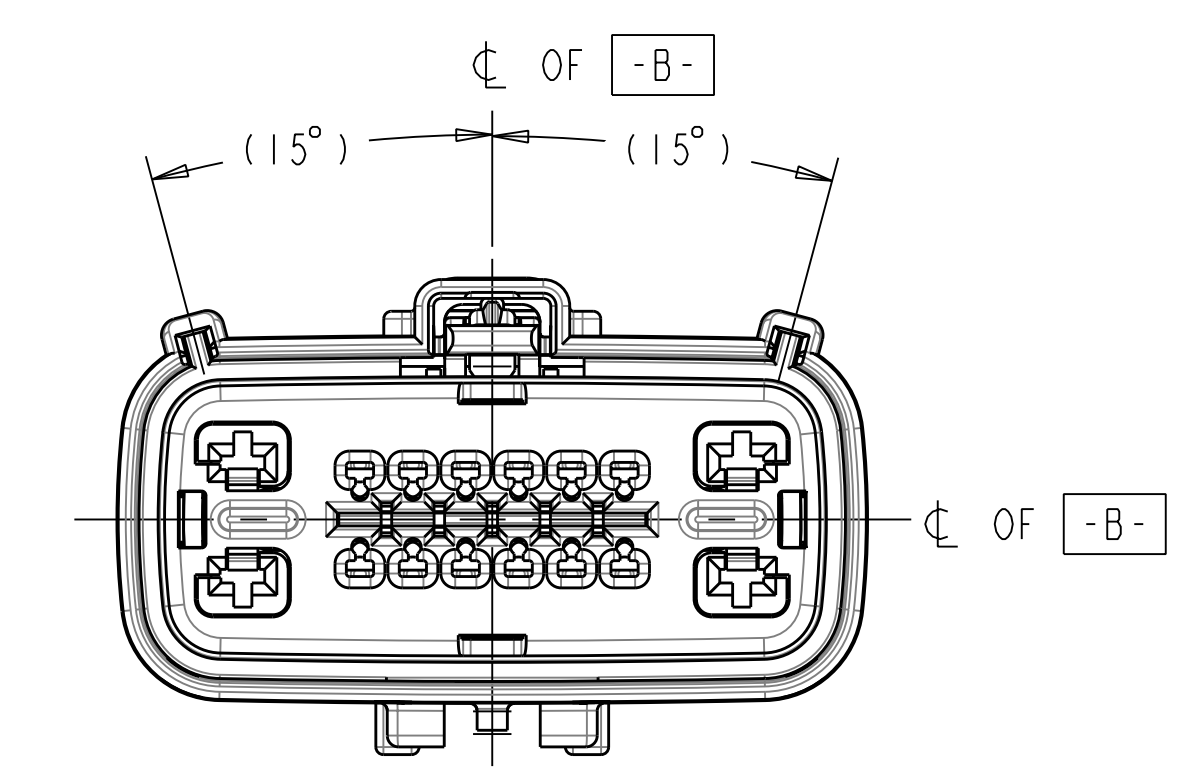
KEYING OPTION F
SCALE 2:1



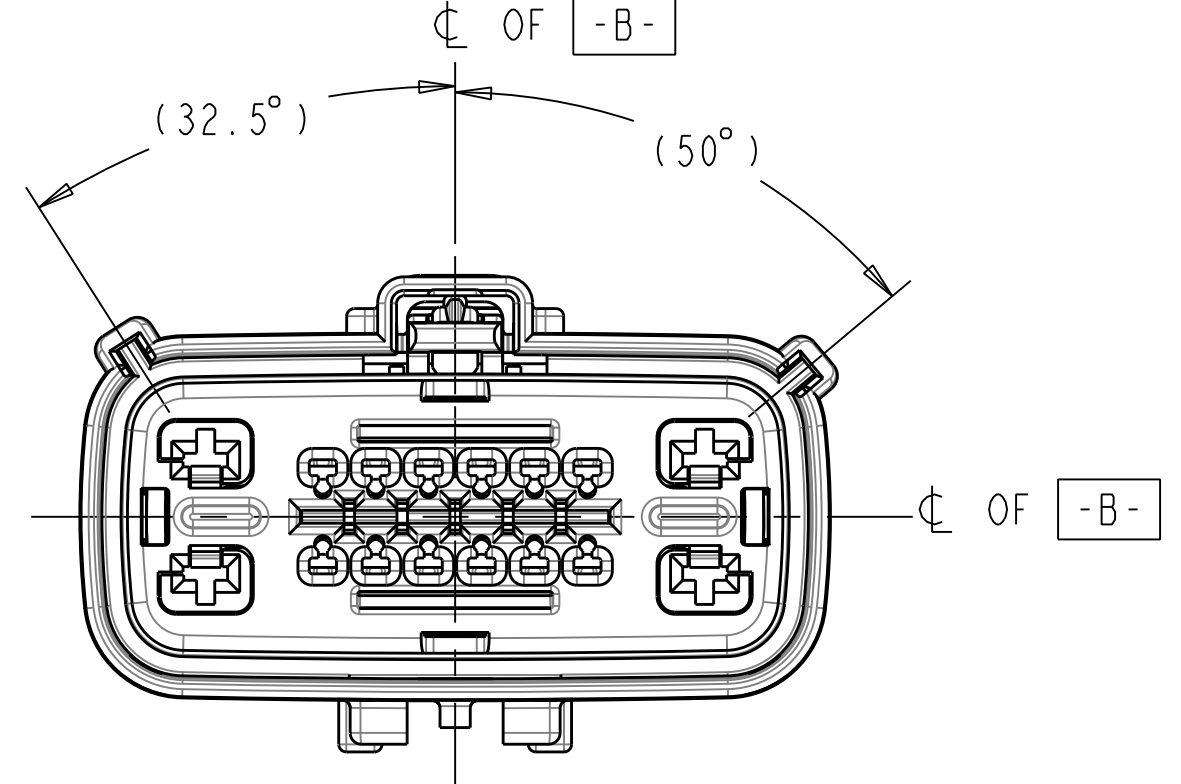
KEYING OPTION C
SCALE 2:1



KEYING OPTION G
SCALE 2:1

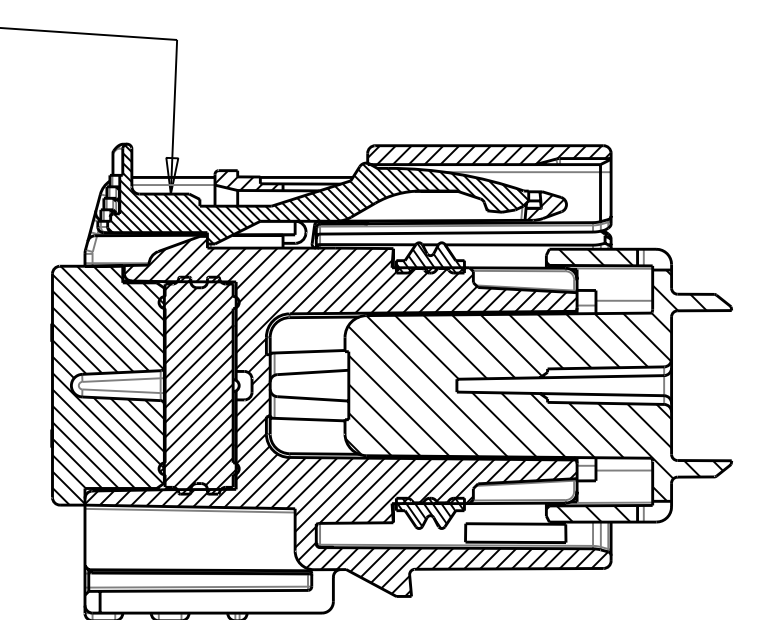


KEYING OPTION D
SCALE 2:1

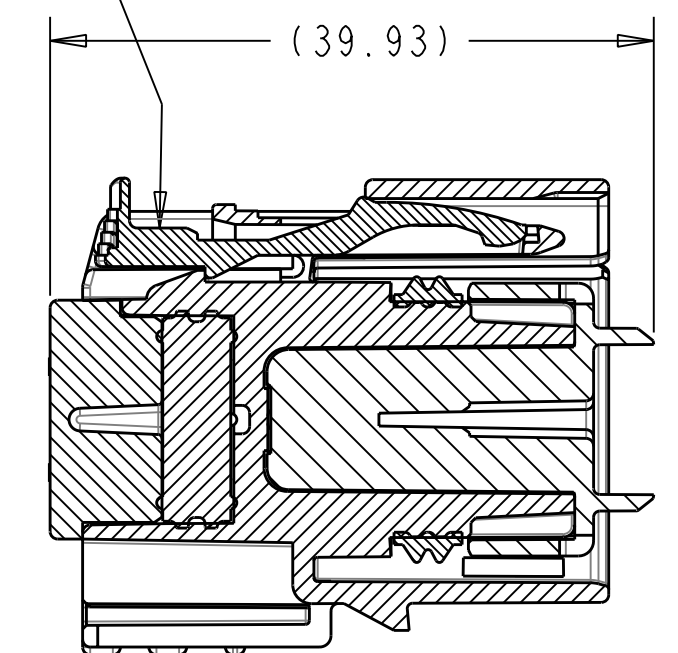


KEYING OPTION H
SCALE 2:1

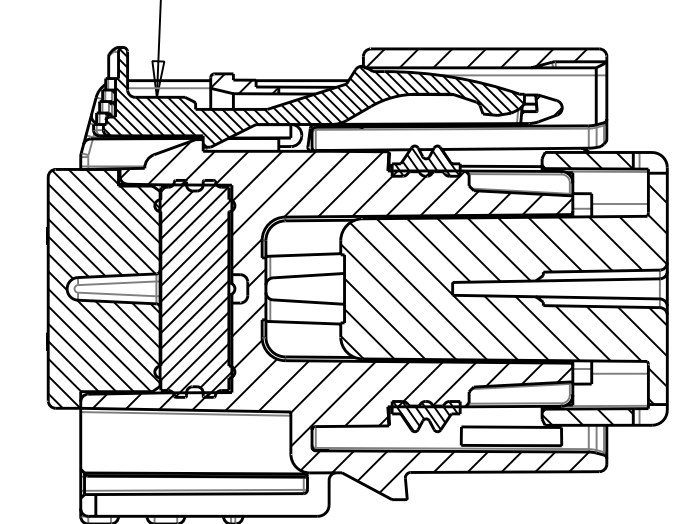
CPA TO BE INSTALLED
IN PRE-LOCK POSITION
AS SHOWN IN BOTH VIEWS,
SEE NOTE #5



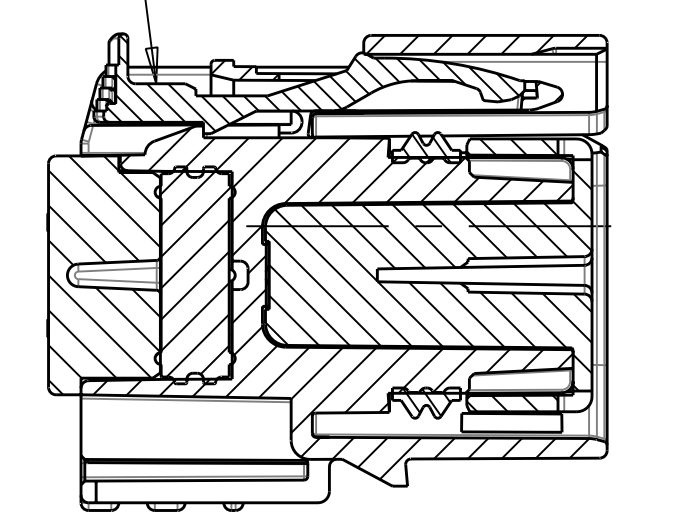
SECTION B-B
(RECEPTACLE INSERT WITH
SHORTING BAR LIFTER
SHOWN IN PRE-LOCK)
SEE NOTE #2



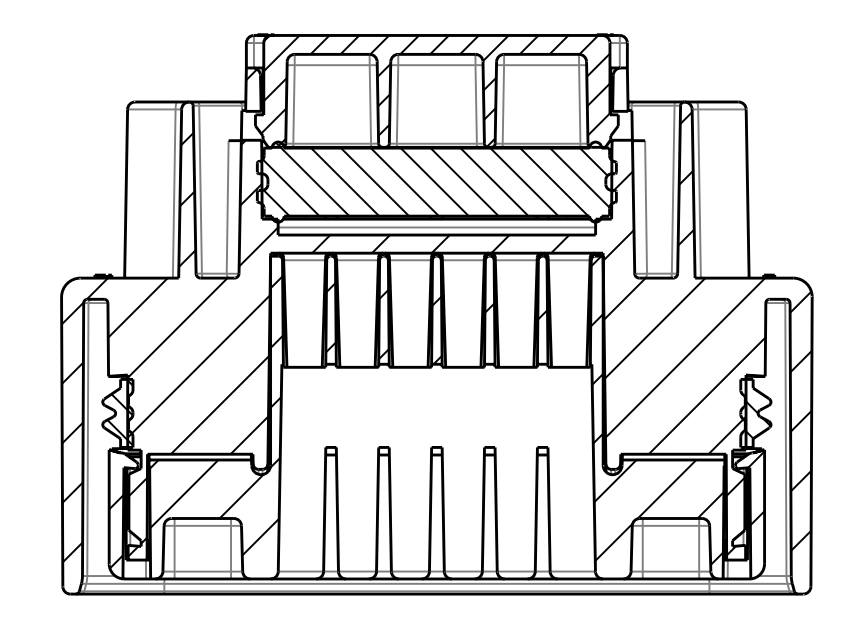
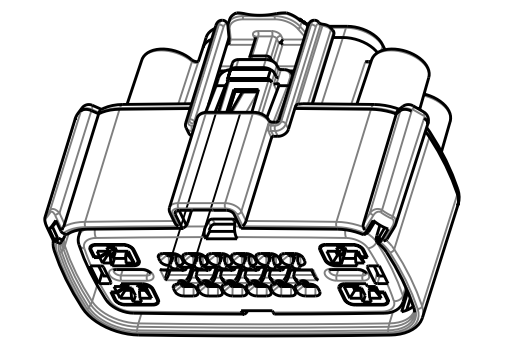
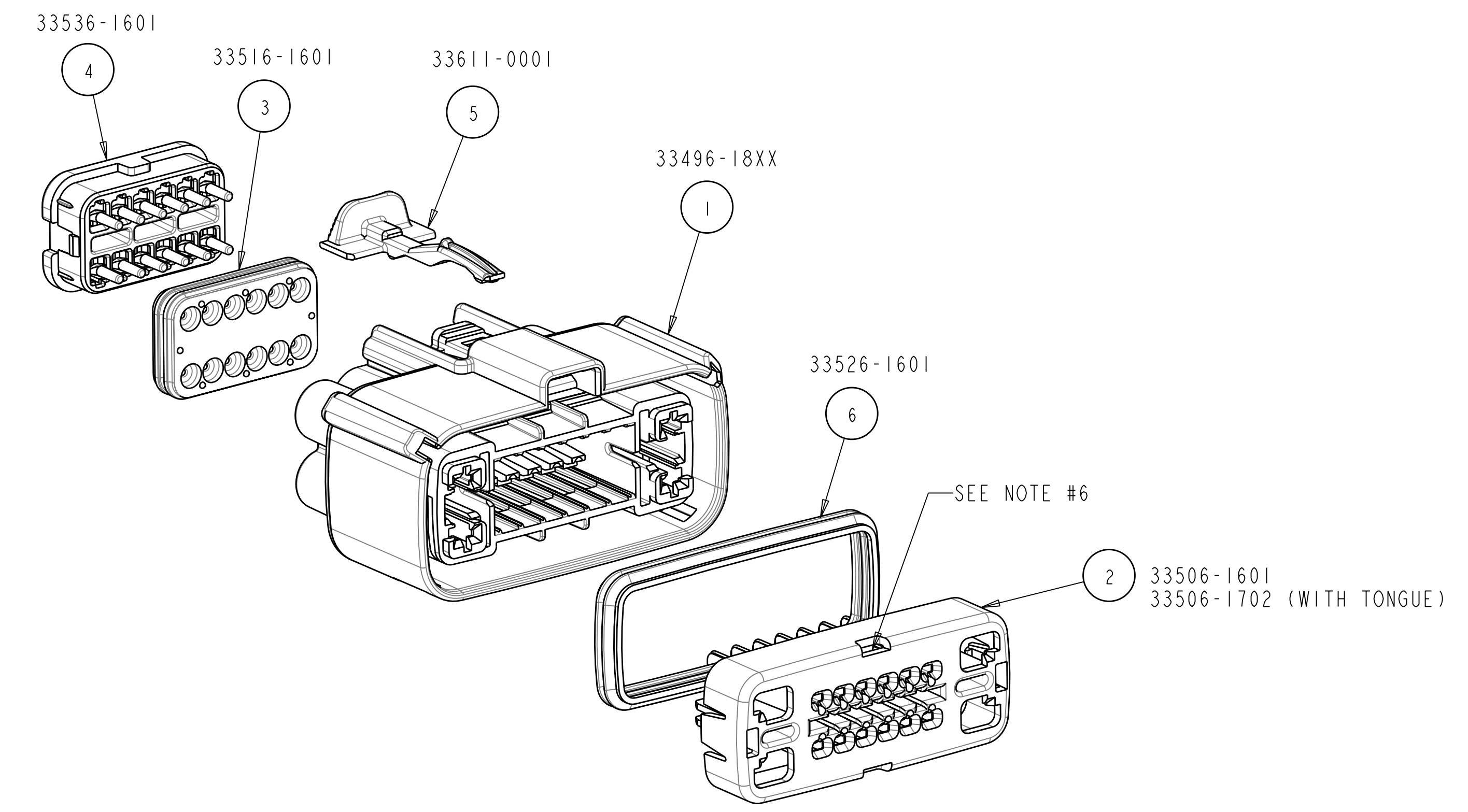
SECTION B-B
(RECEPTACLE INSERT WITH
SHORTING BAR LIFTER
SHOWN IN FULL-LOCK)
SEE NOTE #2



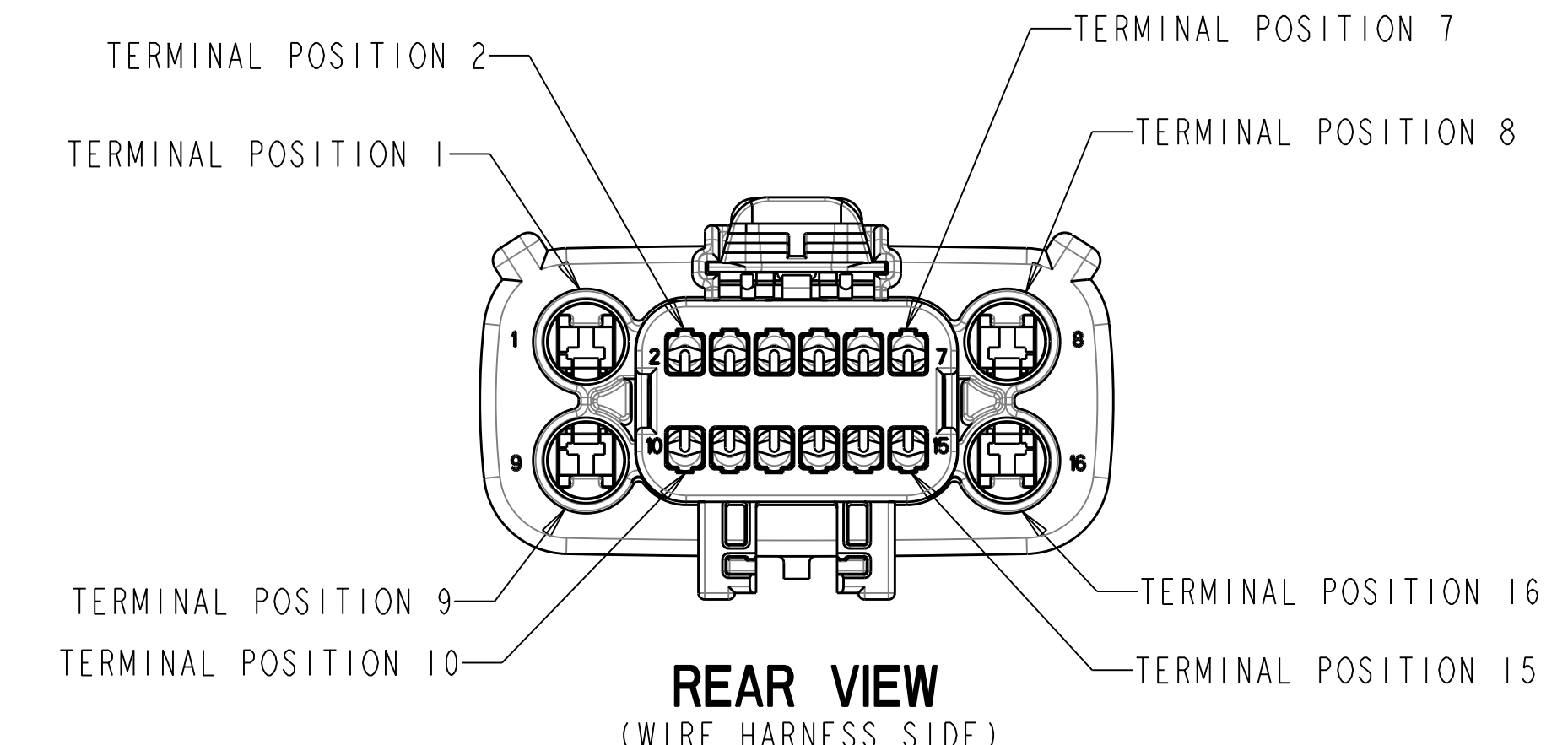
SECTION B-B
(RECEPTACLE INSERT
SHOWN IN PRE-LOCK)
SEE NOTE #2



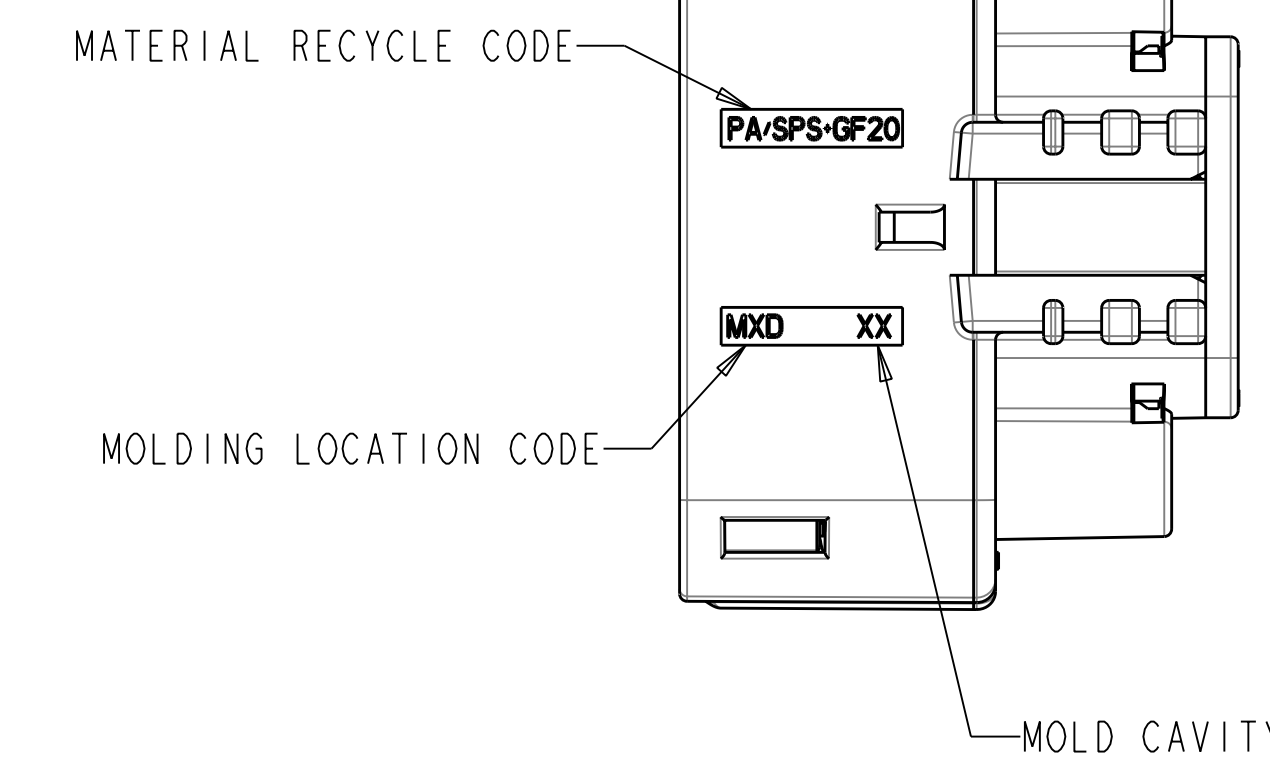
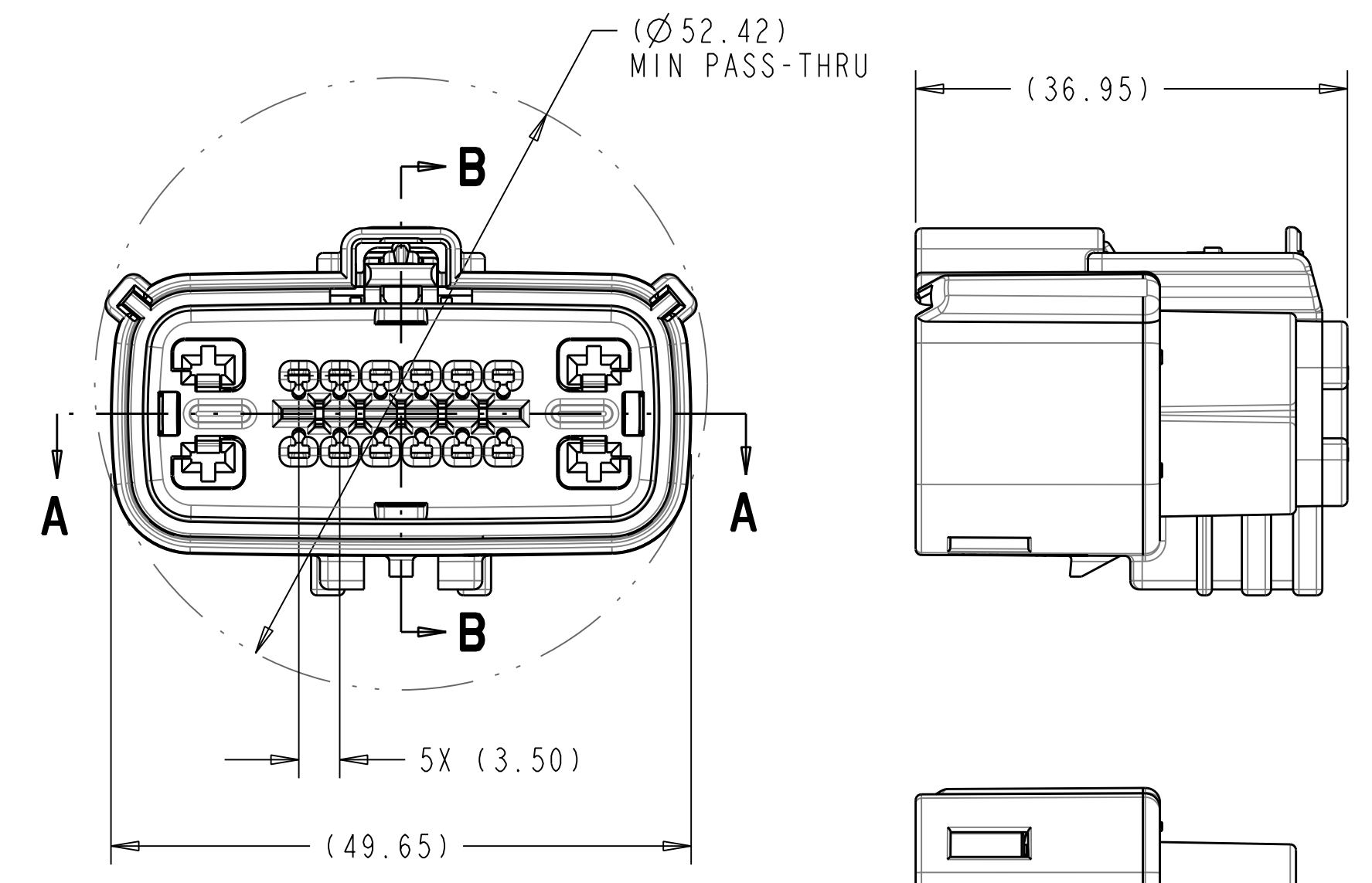
SECTION B-B
(RECEPTACLE INSERT
SHOWN IN FULL-LOCK)
SEE NOTE #2



SECTION A-A



REAR VIEW
(WIRE HARNESS SIDE)



- NOTES: UNLESS OTHERWISE SPECIFIED
- DESIGNED TO MATE WITH BLADE HOUSING ASSEMBLY SPECIFIED IN CHARTED DRAWING E-33486-161 OR DEVICE CONNECTION AS SPECIFIED IN DRAWING E-33586-161. SEE CHART
 - ASSEMBLY SHIPPED WITH RECEPTACLE INSERT IN PRE-LOCK POSITION (SEE SECTION B-B PRE-LOCK). UPON FULL TERMINAL ASSEMBLY, EACH RECEPTACLE INSERT MUST BE SNAPPED INTO ITS FINAL-LOCK POSITION.
 - FOR 1.5mm RECEPTACLE TERMINALS TO BE USED WITH THIS ASSEMBLY, SEE MOLEX DRAWING E-33012-001. FOR FORD 2.8mm FEMALE RECEPTACLE SEE CHART.
 - SYSTEM TO BE USED WITH WIRE WITHIN Ø RANGE OF 1.2mm TO 2.4mm.
 - OPTIONAL CPA SHOWN IN ALL VIEWS. SEE TABLES FOR SPECIFIC ASSEMBLY OPTION AND NUMBER. CPA MUST BE INSERTED TO THE PRE-LOCK POSITION, AS SHOWN IN SECTION B-B. WHEN CORRECTLY SEATED THE CPA DOES NOT MOVE, FREELY.
 - SERVICE WITH SCREWDRIVER.
 - REFER TO TABLE ON SHEET 2 OF THIS DRAWING FOR ALL PART NUMBER CONFIGURATION OPTIONS.
 - REFER TO ASSEMBLY DRAWING E-33476-161 FOR RECEPTACLE WITHOUT CLIP SLOT OPTIONS.
 - 9a. ENGAGEMENT FORCE - NO TERMINALS (PRE TO FINAL): 15N MIN.
9b. ENGAGEMENT FORCE - WITH TERMINALS (PRE TO FINAL): 60N MAX.
9c. DISENGAGEMENT FORCE - WITH TERMINALS (FINAL TO PRE): 18N MIN, 60N MAX.
9d. PARTIALLY INSTALLED TERMINAL DETECTION - 80N MIN OR 40N GREATER THAN (b) WHICHEVER IS GREATER.
9e. REMOVAL FORCE - WITH TERMINALS (FINAL TO OUT OF CONNECTOR): 25N MIN.

| TYCO 2.8mm CABLE SEAL TERMINAL | |
|-----------------------------------|-----------|
| FORD P/N | GRIP SIZE |
| IFIT-14474-RA | 12 |
| IFIT-14474-JA | 14 |
| IFIT-14474-HA | 16 |
| IFIT-14474-GA | 18 |
| IFIT-14474-FA | 20 |
| IFIT-14474-EA | 22 |

| | | | | | | | |
|--|-----------------|---------------------------------------|----------------|---|-----------------|--|---------------------------|
| EC NO: UAU2005-0053 DRWN: D.GRIFFITHS 08-11-04 CHK: D.GRIFFITHS 08-11-04 APPR: D.GRIFFITHS 08-11-04 | QUALITY SYMBOLS | GENERAL TOLERANCES (UNLESS SPECIFIED) | | SCALE 2:1 | DESIGN UNITS mm | THIRD ANGLE PROJECTION | REVISE ON CAD ONLY |
| | | 4 PLACES ± .10 | 3 PLACES ± .15 | 2 PLACES ± 0.30 | 1 PLACE ± 0.75 | DIMENSION STYLE mm | |
| M | DESCRIPTION | ANGULAR ± 3° | | DRAWN BY D.GRIFFITHS | DATE 05-21-03 | TITLE 1.5mm/2.8mm HYBRID CONNECTOR, RCPT 2 ROW HOUSING w/ CLIP SLOT SEALED, 16 WAY | |
| | | | | CHECKED BY D.GRIFFITHS | DATE 05-21-03 | MOLEX MOLEX INCORPORATED | |
| | | | | APPROVED BY D.GRIFFITHS | DATE 05-21-03 | MATERIAL NO. - | DOCUMENT NO. SD-33476-181 |
| | | | | THIS DRAWING CONTAINS INFORMATION THAT IS PROPRIETARY TO MOLEX INCORPORATED AND SHOULD NOT BE USED WITHOUT WRITTEN PERMISSION | | | |
| | | | | | | SHEET NO. 1 OF 2 | E |

| T | ASSEMBLY PART NUMBER | HOUSING PART NUMBER | COLOR | KEYING OPTION | MAT SEAL CAP | CAVITY TYPE & STATUS (X = PLUGGED) | | | | | | | | | | CPA | INTERFACE SEAL | MAT SEAL | INSERT/TPA | | |
|---|----------------------|---------------------|---------|---------------|--------------|------------------------------------|---|---|---|---|---|----|----|----|----|-----|----------------|------------|------------|------------|------------|
| | | | | | | 2 | 3 | 4 | 5 | 6 | 7 | 10 | 11 | 12 | 13 | | | | | 14 | 15 |
| T | 33476-1713 | 33496-1806 | BLACK | E | 33536-1601 | | | | | | | | | | | | | 33526-1601 | 33516-1601 | 33506-1702 | |
| T | 33476-1841 | 33496-1801 | BLACK | A | 33536-1601 | | | | | | | | | | | | | 33526-1601 | 33516-1601 | 33506-1601 | |
| T | 33476-1848 | 33496-1801 | BLACK | A | 33536-1601 | X | | | | | | | | | | | 33611-0001 | 33526-1601 | 33516-1601 | 33506-1601 | |
| T | 33476-1849 | 33496-1801 | BLACK | A | 33536-1601 | | | | | | | | | | | | 33611-0001 | 33526-1601 | 33516-1601 | 33506-1601 | |
| S | 33476-1850 | 33496-1801 | BLACK | A | 33536-1601 | X | | | | | X | X | | | | | - | 33526-1601 | 33516-1601 | 33506-1601 | |
| S | 33476-1851 | 33496-1807 | LT.GRAY | F | 33536-1601 | X | X | | | X | X | | | | X | X | X | - | 33526-1601 | 33516-1601 | 33506-1702 |
| S | 33476-1852 | 33496-1807 | LT.GRAY | F | 33536-1601 | | | | | X | | | | | | | | - | 33526-1601 | 33516-1601 | 33506-1702 |
| S | 33476-1853 | 33496-1807 | LT.GRAY | F | 33536-1601 | X | X | | | X | | | | | X | | | - | 33526-1601 | 33516-1601 | 33506-1702 |
| S | 33476-1854 | 33496-1807 | LT.GRAY | F | 33536-1601 | | | | | X | | | | | X | | | - | 33526-1601 | 33516-1601 | 33506-1702 |
| S | 33476-1855 | 33496-1807 | LT.GRAY | F | 33536-1601 | X | | | | X | | X | X | | | | | - | 33526-1601 | 33516-1601 | 33506-1702 |
| R | 33476-1856 | 33496-1807 | LT.GRAY | F | 33536-1601 | | | | | X | | | | | X | | | - | 33526-1601 | 33516-1601 | 33506-1702 |
| R | 33476-1857 | 33496-1807 | LT.GRAY | F | 33536-1601 | | | | | X | | | X | X | | | | - | 33526-1601 | 33516-1601 | 33506-1702 |
| R | 33476-1858 | 33496-1807 | LT.GRAY | F | 33536-1601 | X | X | | | X | | X | | | | | | - | 33526-1601 | 33516-1601 | 33506-1702 |
| R | 33476-1859 | 33496-1807 | LT.GRAY | F | 33536-1601 | | | | | | | X | | | | | | - | 33526-1601 | 33516-1601 | 33506-1702 |
| R | 33476-1860 | 33496-1807 | LT.GRAY | F | 33536-1601 | X | X | X | X | X | | X | | | | | | - | 33526-1601 | 33516-1601 | 33506-1702 |
| O | 33476-1861 | 33496-1801 | BLACK | A | 33536-1601 | X | X | X | | | | X | X | | X | | | - | 33526-1601 | 33516-1601 | 33506-1601 |
| O | 33476-1862 | 33496-1806 | BLACK | E | 33536-1601 | X | | | | | | | | | | X | | - | 33526-1601 | 33516-1601 | 33506-1702 |
| O | 33476-1875 | 33496-1806 | BLACK | E | 33536-1601 | | | | | | | X | X | | X | | | - | 33526-1601 | 33516-1601 | 33506-1702 |
| O | 33476-1876 | 33496-1806 | BLACK | E | 33536-1601 | | | | | X | X | X | X | | X | | | - | 33526-1601 | 33516-1601 | 33506-1702 |
| O | 33476-1877 | 33496-1806 | BLACK | E | 33536-1601 | | | | | | | | | | X | X | | - | 33526-1601 | 33516-1601 | 33506-1702 |
| P | 33476-1878 | 33496-1806 | BLACK | E | 33536-1601 | | | | | | | | | | X | | | - | 33526-1601 | 33516-1601 | 33506-1702 |
| P | 33476-1881 | 33496-1801 | BLACK | A | 33536-1601 | | | | | X | X | | | | X | | | - | 33526-1601 | 33516-1601 | 33506-1601 |
| P | 33476-1891 | 33496-1801 | BLACK | A | 33536-1601 | X | X | | | X | | | | | | | | - | 33526-1601 | 33516-1601 | 33506-1601 |
| P | 33476-1892 | 33496-1806 | BLACK | E | 33536-1601 | X | X | | | | | | | | X | X | | - | 33526-1601 | 33516-1601 | 33506-1702 |
| P | 33476-1893 | 33496-1806 | BLACK | E | 33536-1601 | | | | | | | X | X | | X | X | | - | 33526-1601 | 33516-1601 | 33506-1702 |
| O | 33476-1894 | 33496-1807 | LT.GRAY | F | 33536-1601 | | | | | | | | | | X | X | X | - | 33526-1601 | 33516-1601 | 33506-1702 |
| O | 33476-1895 | 33496-1809 | YELLOW | H | 33536-1601 | | | | | | | | | | | | | - | 33526-1601 | 33516-1601 | 33506-1702 |
| O | 33476-1896 | 33496-1809 | YELLOW | H | 33536-1601 | | | | | | | | | | X | | | - | 33526-1601 | 33516-1601 | 33506-1702 |
| O | 33476-1897 | 33496-1807 | LT.GRAY | F | 33536-1601 | | | | | X | X | X | X | X | X | X | | - | 33526-1601 | 33516-1601 | 33506-1702 |
| N | 33476-1898 | 33496-1807 | LT.GRAY | F | 33536-1601 | | | | | X | | X | X | X | X | X | | - | 33526-1601 | 33516-1601 | 33506-1702 |
| N | 33476-1899 | 33496-1809 | YELLOW | H | 33536-1601 | | | | | X | X | X | X | | X | | | - | 33526-1601 | 33516-1601 | 33506-1702 |
| N | 33476-1900 | 33496-1809 | YELLOW | H | 33536-1601 | | | | | X | | X | X | | X | | | - | 33526-1601 | 33516-1601 | 33506-1702 |
| N | 33476-2201 | 33496-1806 | BLACK | E | 33536-1601 | | | | | | | | | | | | | - | 33526-1601 | 33516-1601 | 33506-1702 |
| N | 33476-2202 | 33496-1807 | LT.GRAY | F | 33536-1601 | X | X | | | X | X | | | | X | X | X | - | 33526-1601 | 33516-1601 | 33506-1702 |
| N | 33476-2203 | 33496-1807 | LT.GRAY | F | 33536-1601 | | | | | X | | | | | | | | - | 33526-1601 | 33516-1601 | 33506-1702 |
| M | 33476-2204 | 33496-1807 | LT.GRAY | F | 33536-1601 | X | X | | | X | | | | | X | | | - | 33526-1601 | 33516-1601 | 33506-1702 |
| M | 33476-2205 | 33496-1807 | LT.GRAY | F | 33536-1601 | | | | | X | | | | | X | | | - | 33526-1601 | 33516-1601 | 33506-1702 |
| M | 33476-2206 | 33496-1807 | LT.GRAY | F | 33536-1601 | X | | | | X | | X | X | | | | | - | 33526-1601 | 33516-1601 | 33506-1702 |
| M | 33476-2207 | 33496-1807 | LT.GRAY | F | 33536-1601 | | | | | X | | | | | X | | | - | 33526-1601 | 33516-1601 | 33506-1702 |
| M | 33476-2208 | 33496-1807 | LT.GRAY | F | 33536-1601 | | | | | X | | | X | X | | | | - | 33526-1601 | 33516-1601 | 33506-1702 |
| L | 33476-2209 | 33496-1807 | LT.GRAY | F | 33536-1601 | X | X | | | X | | X | | | | | | - | 33526-1601 | 33516-1601 | 33506-1702 |
| L | 33476-2210 | 33496-1807 | LT.GRAY | F | 33536-1601 | | | | | | | X | | | | | | - | 33526-1601 | 33516-1601 | 33506-1702 |
| L | 33476-2211 | 33496-1807 | LT.GRAY | F | 33536-1601 | X | X | X | X | X | | | | | | | | - | 33526-1601 | 33516-1601 | 33506-1702 |

| | | | | | | | |
|---|---------------------|---|---------------|------------------------|---------------------------|--|-------|
| EC NO: UAU2005-0053 DRWN: D.GRIFFITHS 08-11-04 CH'K: D.GRIFFITHS 08-11-04 APPR: D.GRIFFITHS 08-11-04 | QUALITY SYMBOLS | GENERAL TOLERANCES (UNLESS SPECIFIED) | | SCALE 2.000 | DESIGN UNITS mm | THIRD ANGLE PROJECTION REVISE ON CAD ONLY | |
| | | 4 PLACES ± .00 | INCH ± .00 | DIMENSION STYLE mm | | | TITLE |
| | | 3 PLACES ± .00 | | DRAWN BY D.GRIFFITHS | DATE 05-21-03 | MOLEX INCORPORATED | |
| | | 2 PLACES ± 0.10 | | CHECKED BY D.GRIFFITHS | DATE 05-21-03 | | |
| 1 PLACE ± 0.3 | | APPROVED BY D.GRIFFITHS | DATE 05-21-03 | MATERIAL NO. - | DOCUMENT NO. SD-33476-181 | SHEET NO. 2 OF 2 | |
| ANGULAR ± 3° | | THIS DRAWING CONTAINS INFORMATION THAT IS PROPRIETARY TO MOLEX INCORPORATED AND SHOULD NOT BE USED WITHOUT WRITTEN PERMISSION | | | | | |

| TABLE OF CONTENTS | |
|-------------------|-----------------------|
| SHEET NO. | SHEET DESCRIPTION |
| 1 | NOTES AND BOM |
| 2 | CONFIGURATIONS |
| 3 | KEY CONFIGURATIONS |
| 4 | BLADE SEALED ASSEMBLY |
| 5 | SYSTEM PACKAGING |

NOTES: VALID UNLESS OTHERWISE SPECIFIED

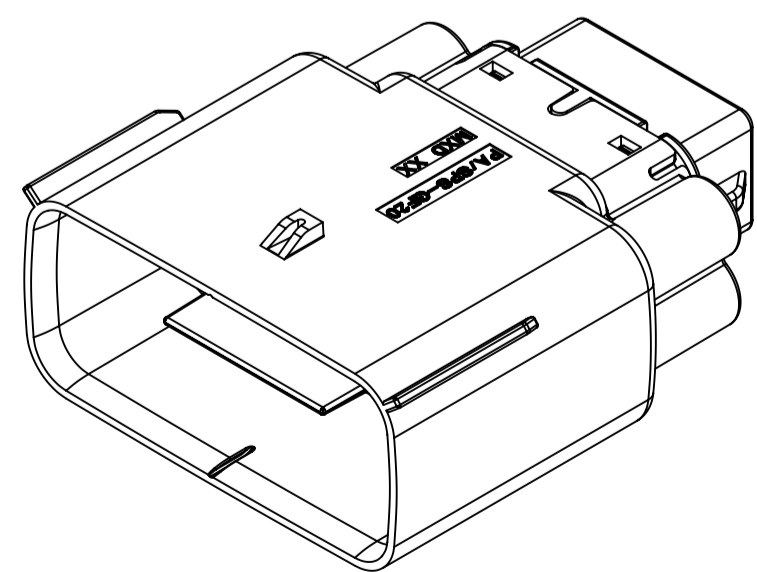
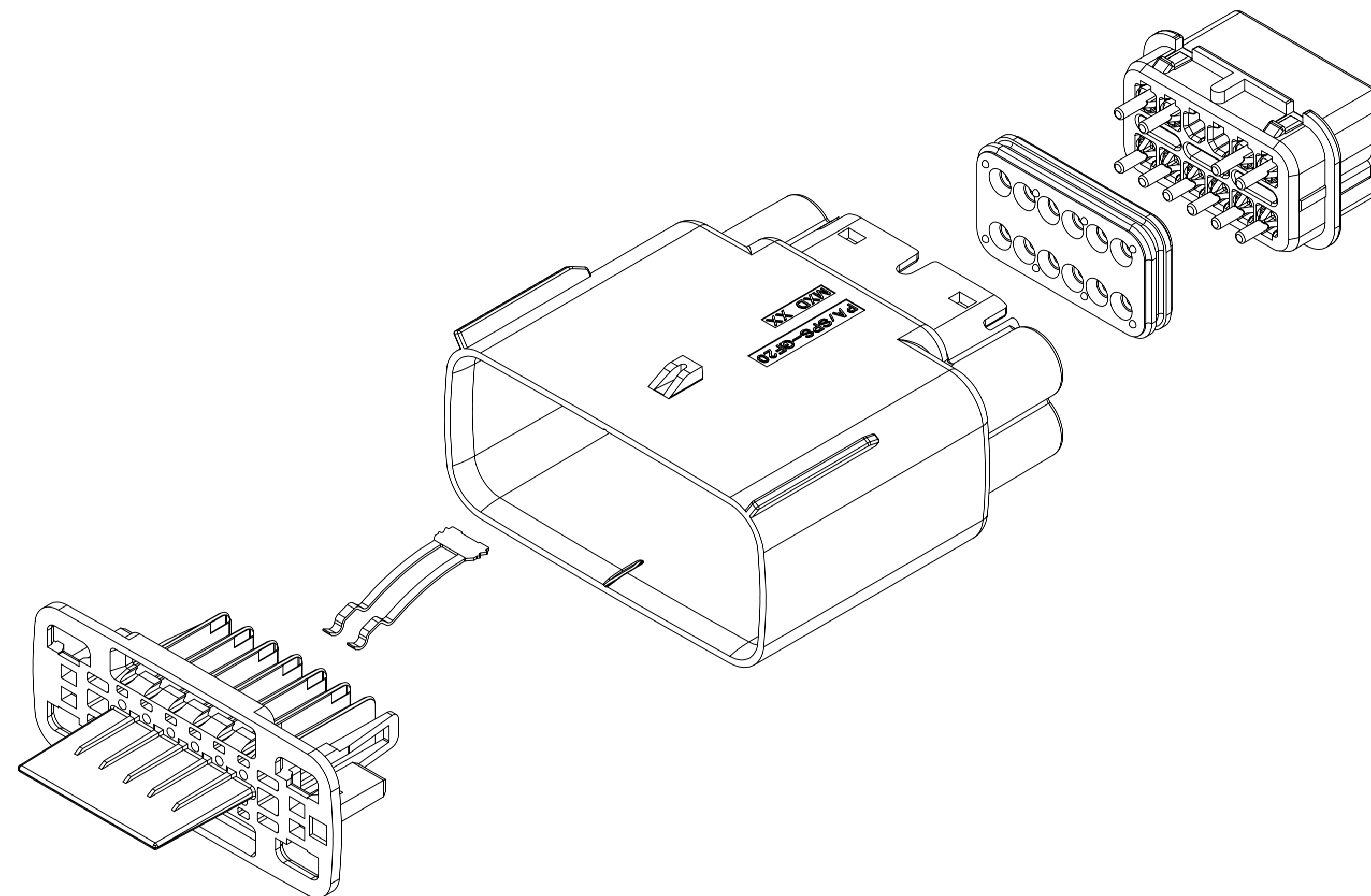
1. GENERAL:
 - a. APPLICATION SPECIFICATION SEE: AS-33472-100
 - CONTAINS: PRODUCT INTRODUCTION, PRODUCT SUMMARY, CONNECTOR ASSEMBLY, PACKAGING INFORMATION, CONNECTOR MATING, SERVICE INSTRUCTIONS, ELECTRICAL CONTINUITY CHECKING, CRIMPING, AND TROUBLESHOOTING.
 - DESIGNED TO MATE WITH RECEPTACLE SEALED ASSEMBLY AS SPECIFIED IN SD-34985-8001, SD-33476-161, OR SD-33476-181.
 - FOR SHORTING BAR APPLICATIONS RECEPTACLE SEALED ASSEMBLY CONFIGURATION MUST CONTAIN A PLR WITH SHORTING BAR LIFTER.
 - FOR 1.5mm BLADE TERMINALS TO BE USED WITH THE SHORTING BAR CIRCUIT LOCATIONS SEE MOLEX DRAWING SD-31296-001.
 - SHORTING BAR TERMINALS TO BE USED WITH WIRE DIAMETER RANGE OF 1.7mm TO 2.06mm.
 - SHORTING BAR TERMINAL CRIMP ANGLE MUST BE BETWEEN -1.4 DEG. AND +3.5 DEG. AFTER INSTALLATION INTO THE CONNECTOR ASSEMBLY. REFER TO MOLEX DRAWING SD-31296-001 FOR DETAILS.
 - FOR 1.5mm BLADE TERMINALS TO BE USED WITH THE NON-SHORTING BAR CIRCUIT LOCATIONS SEE MOLEX DRAWING SD-33000-001.
 - NON-SHORTING BAR TERMINALS TO BE USED WITH WIRE WITHIN DIAMETER RANGE OF 1.2mm TO 2.69mm.
 - FOR 2.8mm TERMINALS TO BE USED WITH THIS ASSEMBLY SEE TABLE.
 - 2.8mm TERMINALS TO BE USED WITH WIRE WITHIN DIAMETER RANGE OF 1.50mm TO 3.30mm.
 - ASSEMBLY SHIPPED WITH PLR IN PRE-LOCK POSITION (SEE PLR PRE-LOCK VIEW SHEET 4).
 - ASSEMBLY CONFORMS TO SAE-USCAR-2 REV.4 WITH THE FOLLOWING EXCEPTIONS: TERMINAL INSERTION FORCE FOR WIRE DIAMETER ABOVE 2.5mm NOT EXCEEDING 2.69mm SHALL NOT EXCEED 45 NEWTONS.
 - PLR REMOVAL FROM FINAL-LOCK TO PRE-LOCK SHALL NOT EXCEED 75 NEWTONS.
 - b. PRODUCT SPECIFICATION SEE: PS-33476-000
 - CONTAINS: PRODUCT INTRODUCTION, PRODUCT SUMMARY, RATINGS (CURRENT, TEMPERATURE, SEALING, AND FLAMMABILITY), TERMINALS, WIRE DIAMETER RANGE, PRODUCT VALIDATION, AND PRODUCT DEVIATIONS.
 - c. PACKAGING SPECIFICATION PER MOLEX DRAWING: PK-31300-514
 - d. PARTS MUST BE IN COMPLIANCE TO MOLEX CHEMICAL SUBSTANCES FOR PRODUCTS AND PACKAGING SPECIFICATION: QEHS-699000-300
 - e. DATA MUST BE SUBMITTED UNDER THE MOLEX PART NUMBER TO IMDS (COMPANY ID#13255)

2. DESIGN - MATERIALS:

- a. SEE BOM TABLE IN SD-34986-8002

3. DESIGN - GEOMETRY:

- a. THE 3-D CAD DATA IS BASIC (WITHOUT TOLERANCE) AND MASTER FOR THIS PART WITH THE EXCEPTION OF UNDERLINED DIMENSIONS. DIMENSIONAL INFORMATION NOT SHOWN ON THIS DRAWING IS DEFINED BY THE DATA FILE AT ITS LATEST REVISION.
 - b. GEOMETRIC DIMENSIONS AND TOLERANCES PER ASME Y14.5M-2009
 - c. EDGES AND UNDIMENSIONED DETAILS PER ISO13715
 - d. CORNERS SHOWN AS SHARP TO BE R 0.2 MAX.
 - e. LETTERING SHALL BE 0.15 MAX RAISED IN 0.25 MAX RECESS PAD. THIS INCLUDES RECYCLING CODE, CAVITY ID, VENDOR IDENTIFICATION, AND CUSTOMER MATERIAL NUMBER.
 - f. VISUAL DEFECTS SHALL MEET COSMETIC STANDARD PS-45499-002 (Class B).
 - g. LASER MARKING:
 1. PART NUMBER
 2. DAY OF THE YEAR
 3. SHIFT
 4. YEAR
- FOR ADDITIONAL INFORMATION SEE SECTION 5 UNDER PROCEDURES IN ES-34735-008.



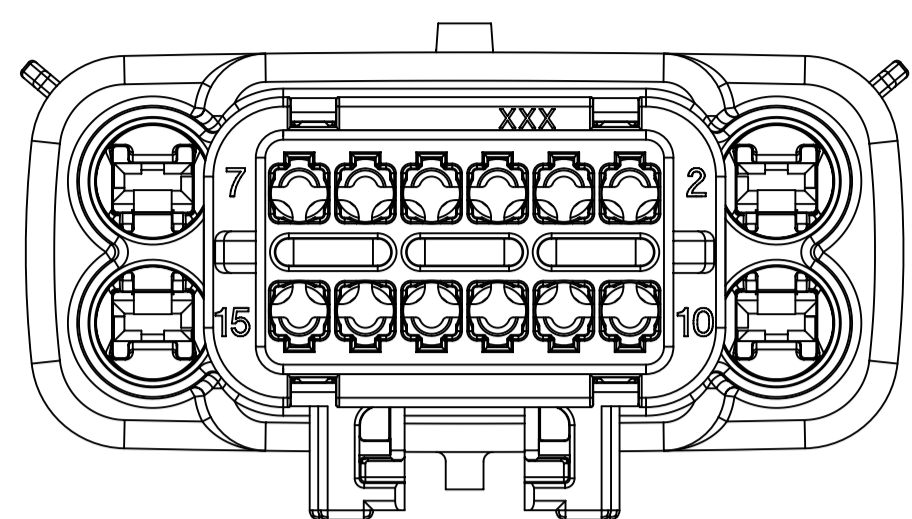
| TYCO 2.8mm CABLE SEAL TERMINAL | |
|--------------------------------|-----------|
| FORD P/N MALE BLADE | GRIP SIZE |
| 3F2T-14421-GA | 12 |
| IFIT-14421-JA | 14 |
| IFIT-14421-HA | 16 |
| IFIT-14421-GA | 18 |
| IFIT-14421-FA | 20 |
| IFIT-14421-EA | 22 |

| INSPECTION NUMBER LOG | |
|-----------------------|---|
| REV | REV DESCRIPTION |
| C1 | 1. UPDATED THE VIEWS IN SHEET 2 2. CHANGED THE DIM 15.00+/-0.10 TO 15.00+0.30/-0.20 IN SHEET 4 |
| C | REDRAWN MOVED BOM TO SD-34986-8002 |

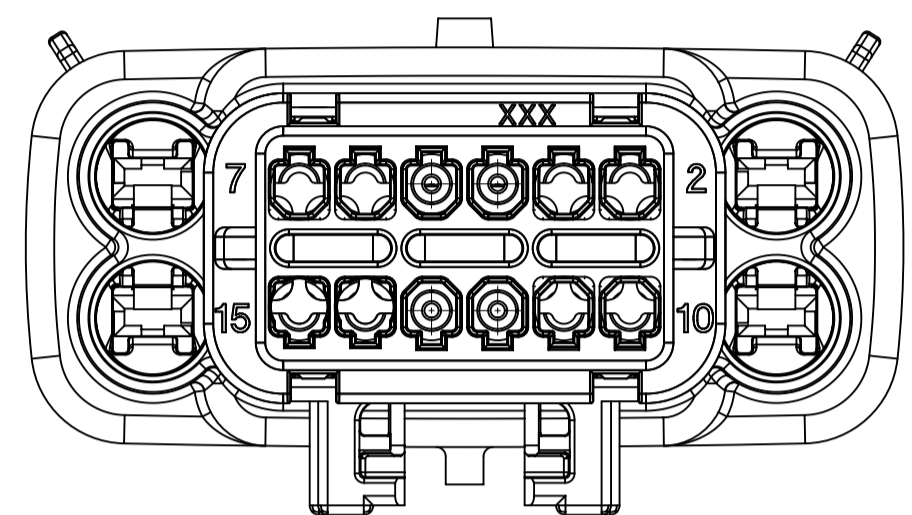
| SYMBOLS | | THIS DRAWING CONTAINS INFORMATION THAT IS PROPRIETARY TO MOLEX ELECTRONIC TECHNOLOGIES, LLC AND SHOULD NOT BE USED WITHOUT WRITTEN PERMISSION | |
|------------------------|--|---|--------------|
| DIMENSION UNITS | SCALE | CURRENT REV DESC: | |
| = 0 | mm | 1.5:1 | |
| = 0 | GENERAL TOLERANCES (UNLESS SPECIFIED) | | |
| = 0 | ANGULAR TOL | ± 3.0° | |
| = 0 | 4 PLACES | ± | |
| = 0 | 3 PLACES | ± | |
| = 0 | 2 PLACES | ± 0.1 | |
| = 0 | 1 PLACE | ± 0.3 | |
| = 0 | 0 PLACES | ± | |
| = 0 | DRAFT WHERE APPLICABLE MUST REMAIN WITHIN DIMENSIONS | | |
| THIRD ANGLE PROJECTION | | DRAWING | SERIES |
| | | A1-SIZE | 34986 |
| EC NO: 177763 | | DRWN: LSONG05 | 2018/05/30 |
| CHK'D: MVANSLAMBROU | | 2018/06/12 | |
| APPR: MVANSLAMBROU | | 2018/06/12 | |
| INITIAL REVISION: | | DRWN: APROFFITT | 2013/05/06 |
| | | APPR: VKOSHY | 2013/05/16 |
| DOCUMENT NUMBER | | DOC TYPE | DOC PART |
| SD-34986-8001 | | PSD | 001 |
| MATERIAL NUMBER | | CUSTOMER | SHEET NUMBER |
| | | GENERAL MARKET | 1 OF 5 |

SHEET DESCRIPTION

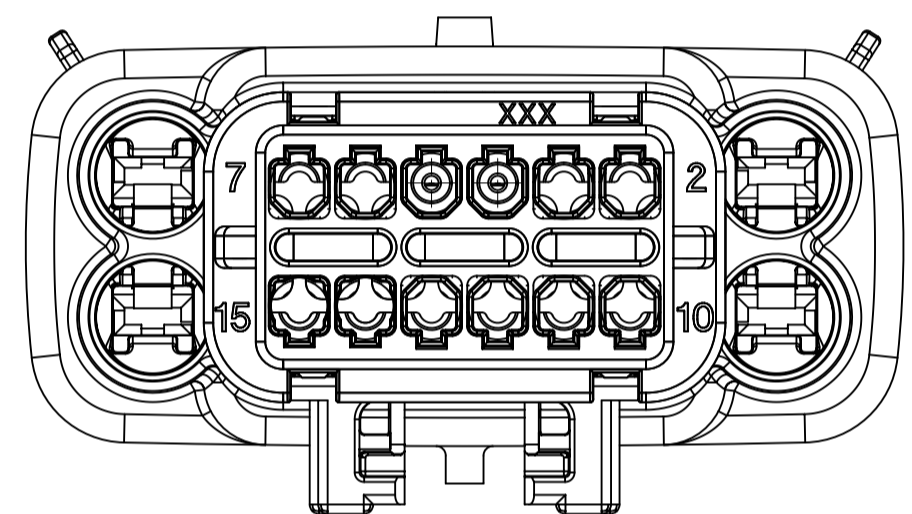
CONFIGURATIONS



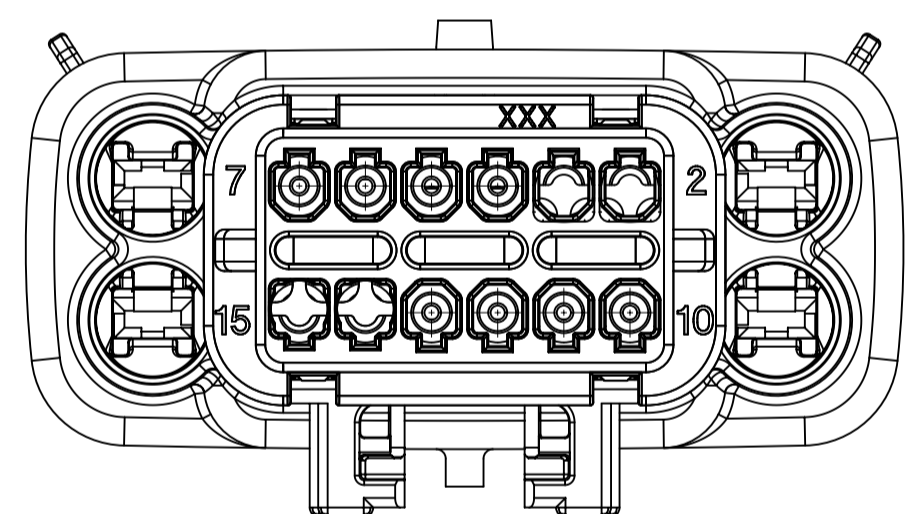
STANDARD GROMMET CAP



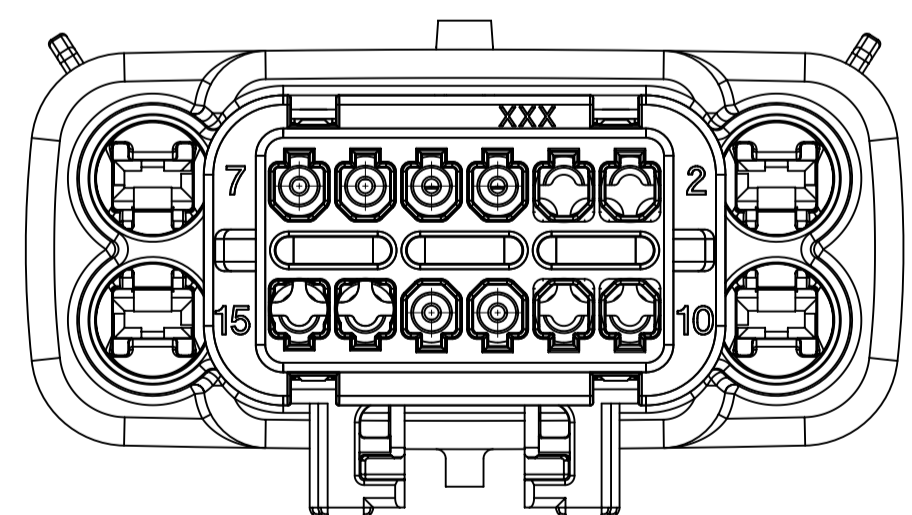
SHORTING BAR GROMMET CAP 1



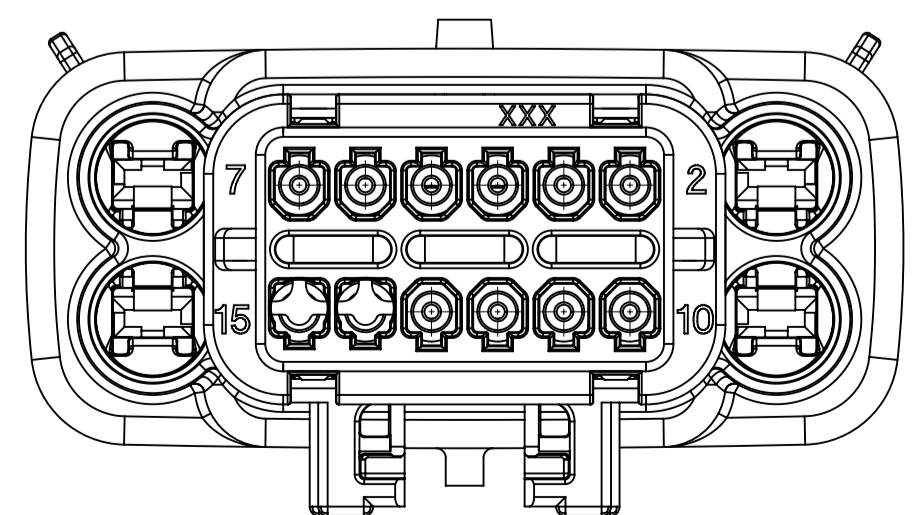
SHORTING BAR GROMMET CAP 2



SHORTING BAR GROMMET CAP 3



SHORTING BAR GROMMET CAP 4

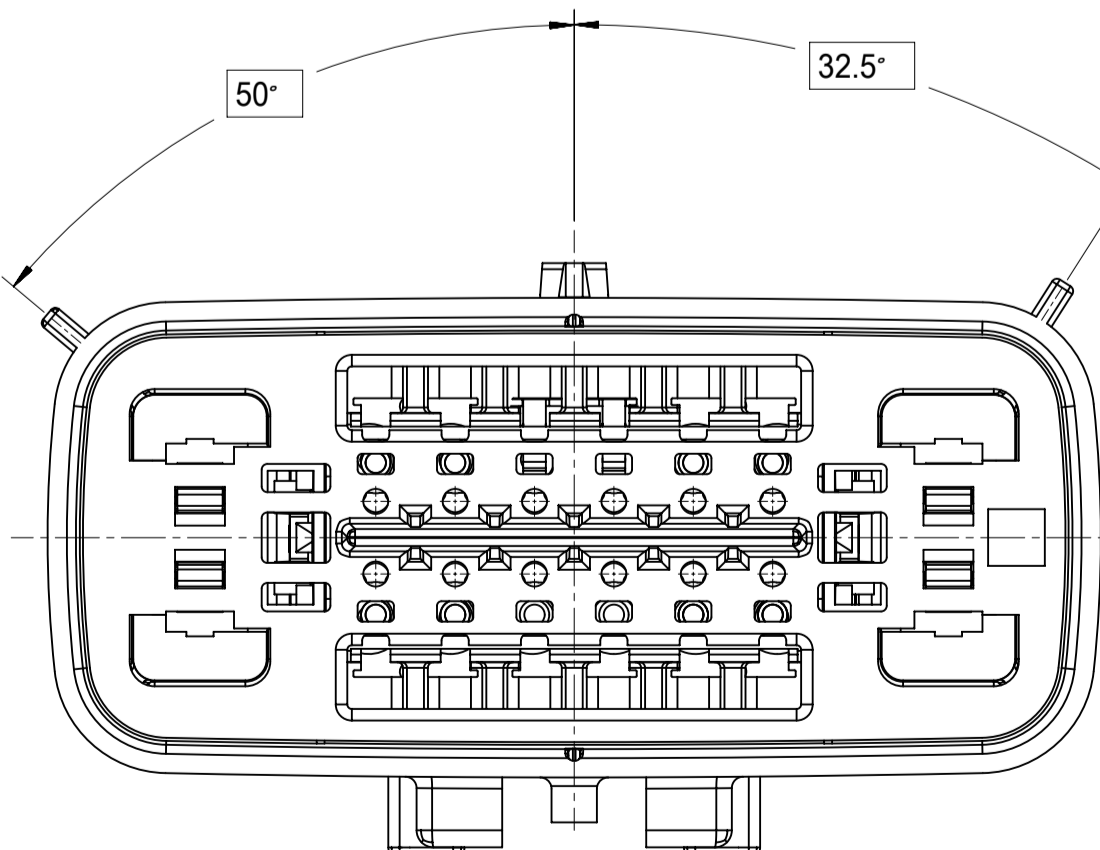
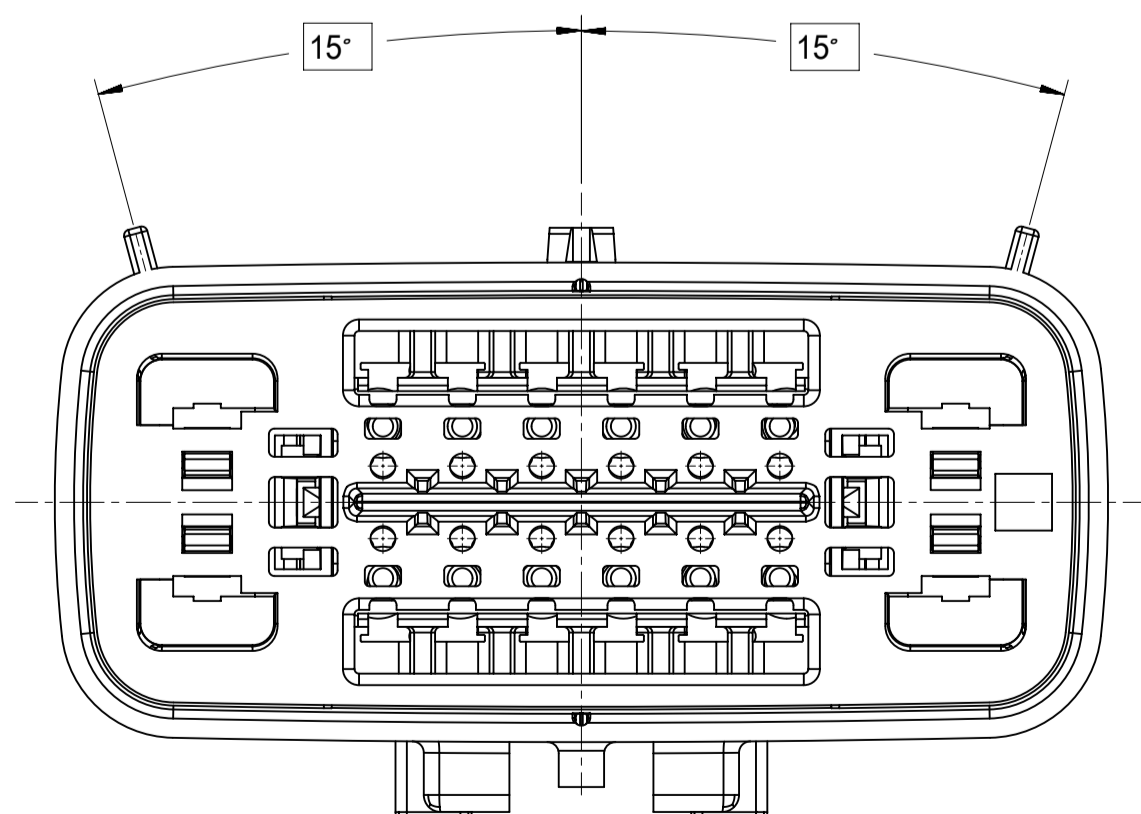
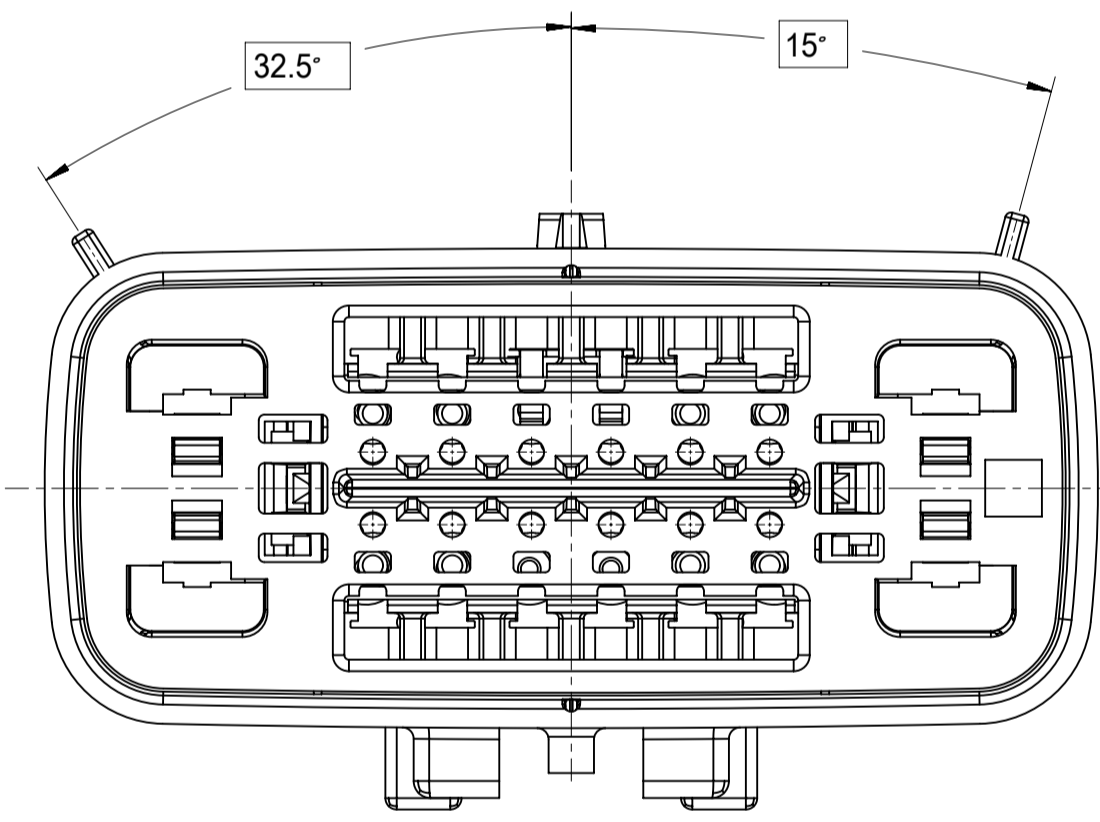
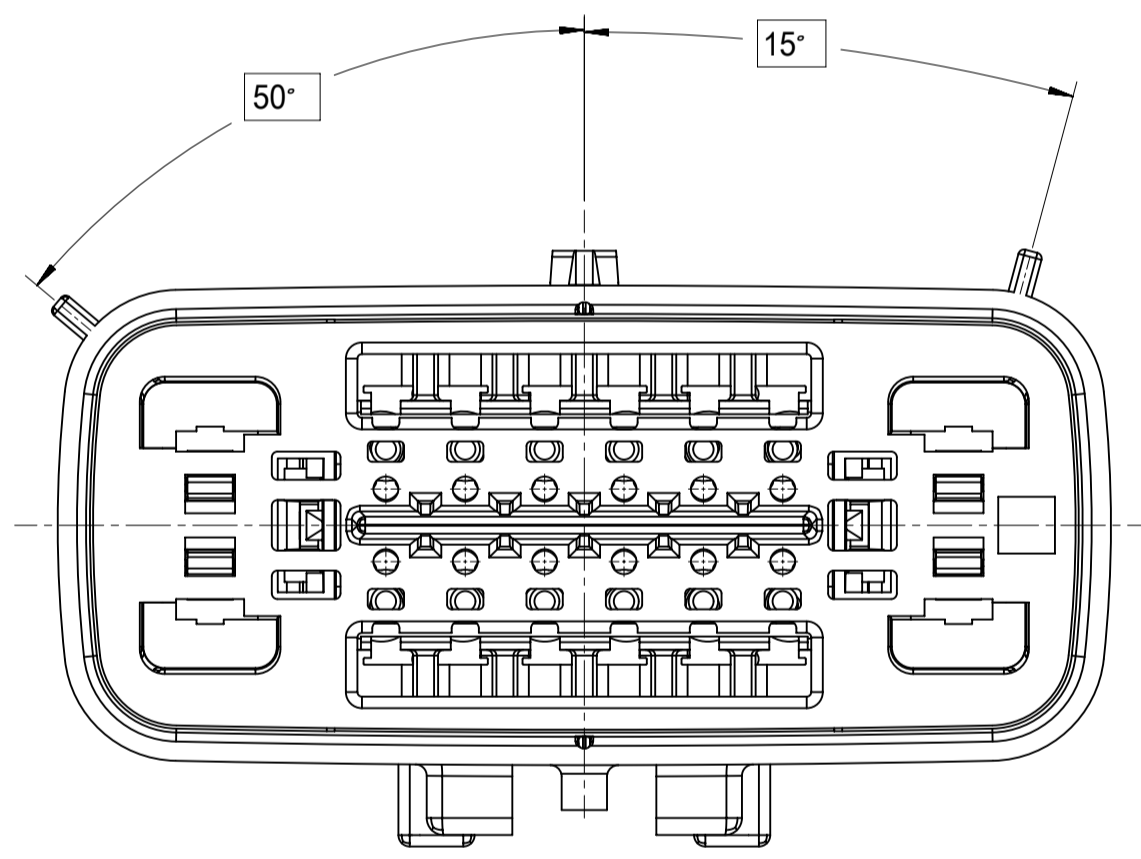
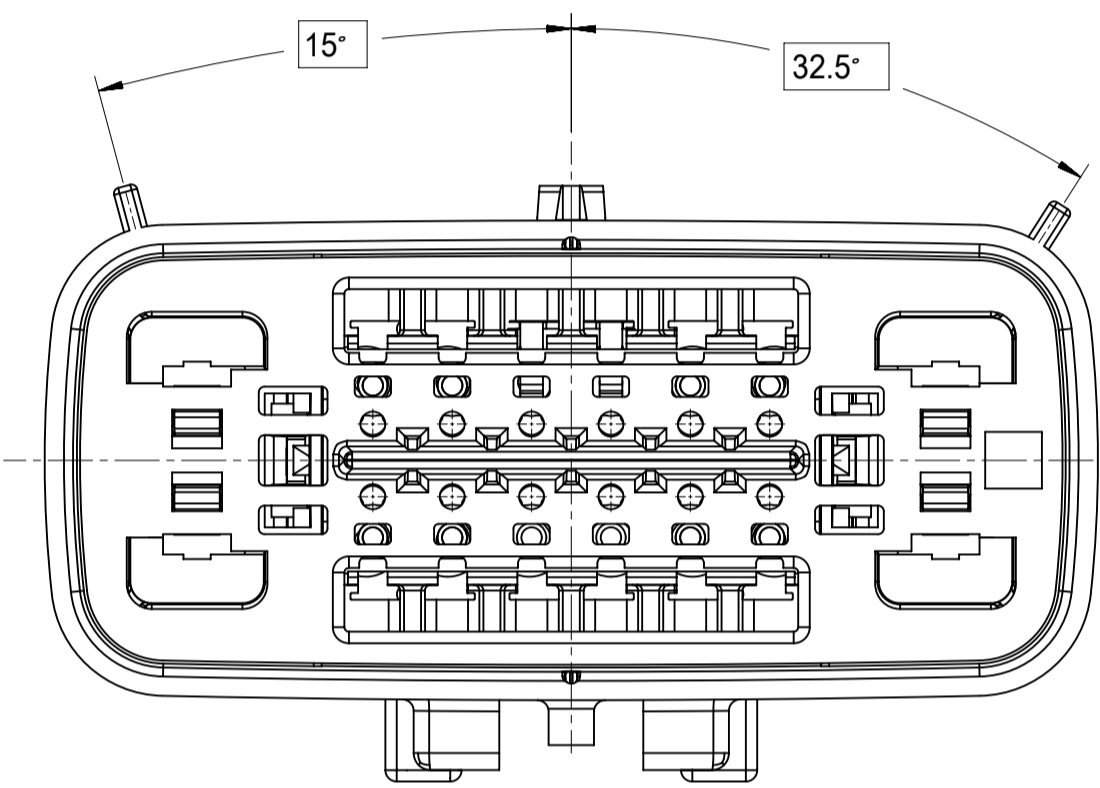
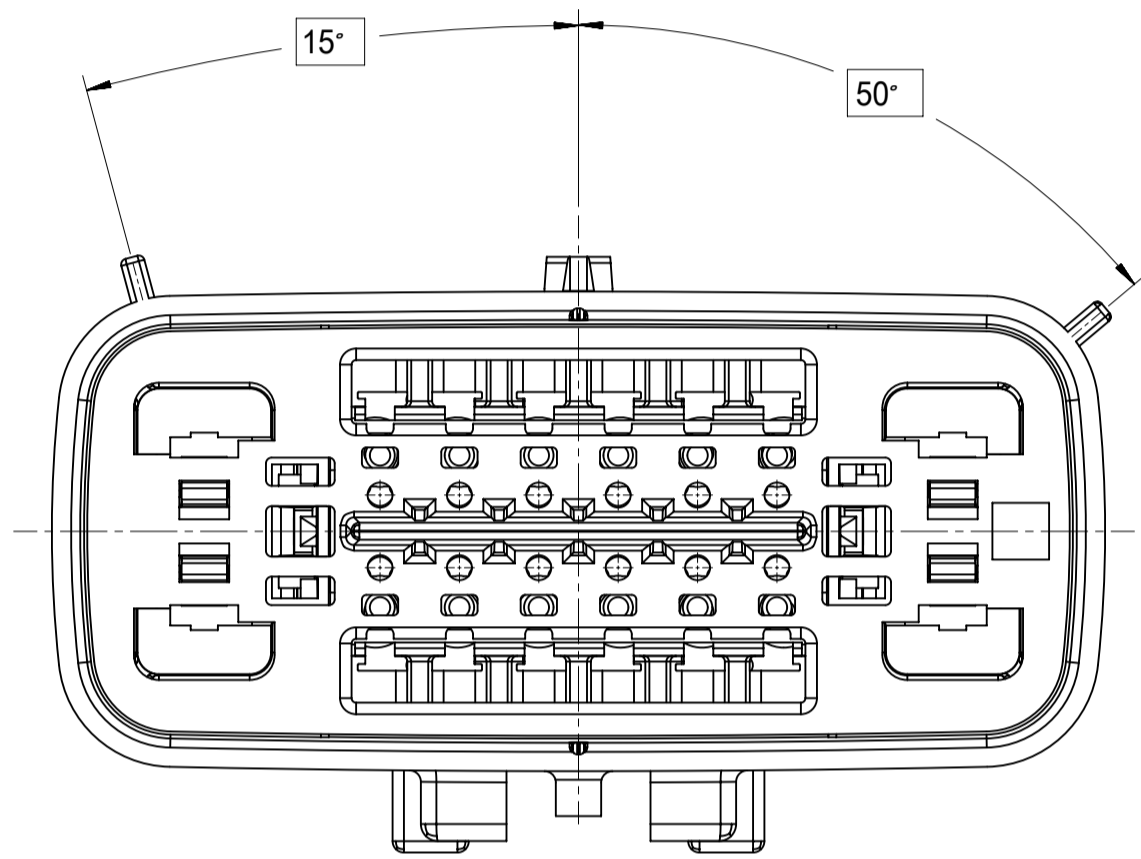
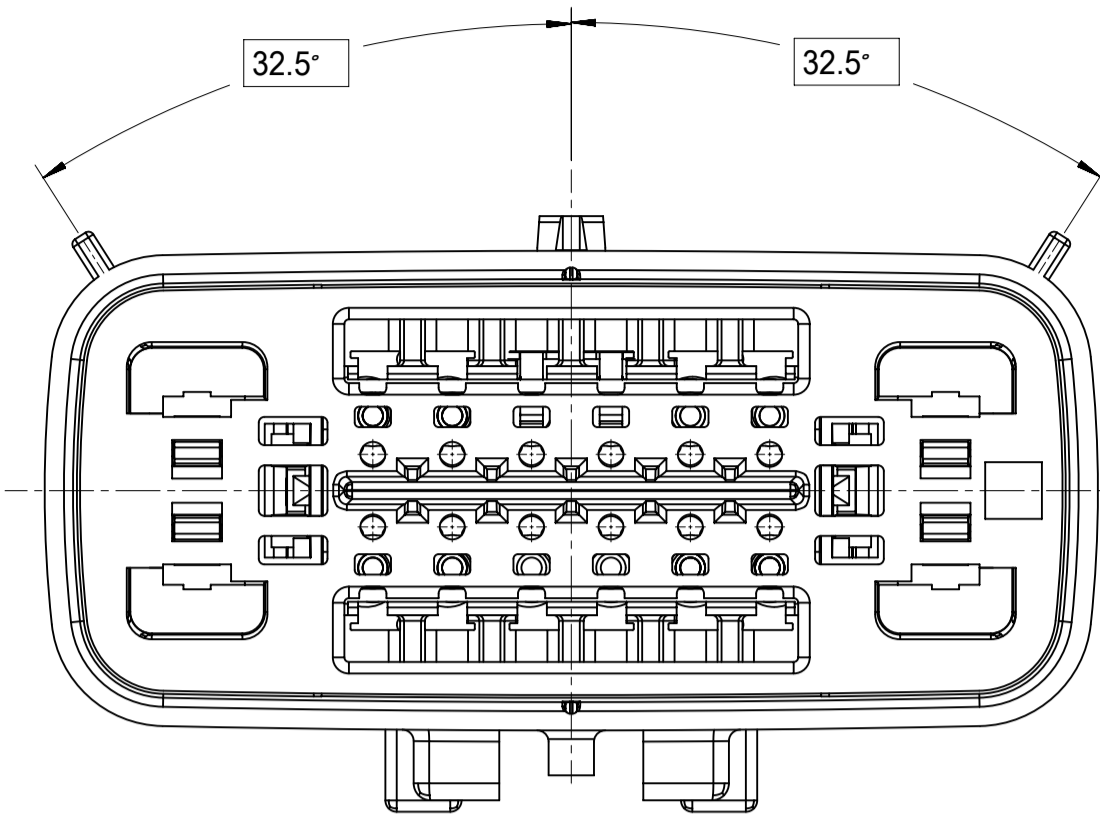
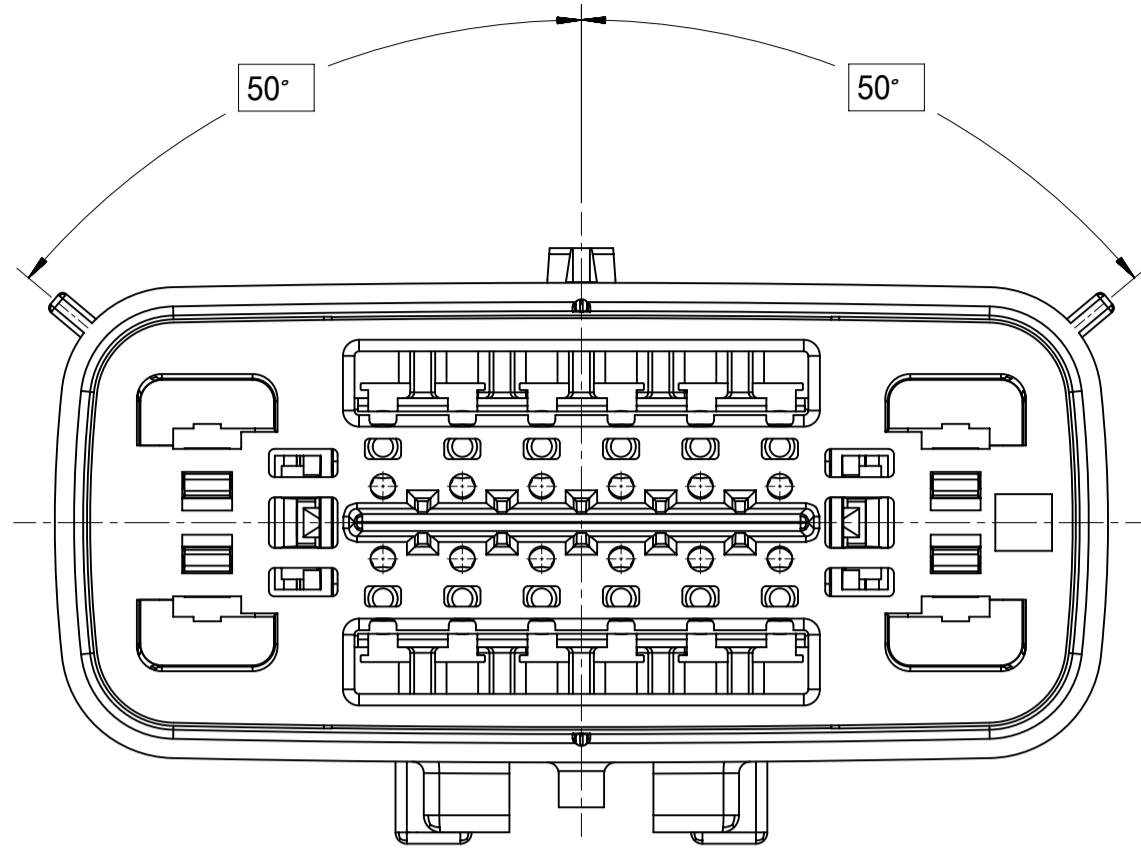


SHORTING BAR GROMMET CAP 5

| | | | | | | | | |
|---------|---|-------|---------------------------------------|--|--------------------------|----------|--------------|--|
| SYMBOLS | THIS DRAWING CONTAINS INFORMATION THAT IS PROPRIETARY TO MOLEX ELECTRONIC TECHNOLOGIES, LLC AND SHOULD NOT BE USED WITHOUT WRITTEN PERMISSION | | CURRENT REV DESC: | | | | | |
| | DIMENSION UNITS | SCALE | | | | | | EC NO: 177763 DRWN: LSONG05 2018/05/30 CHK'D: MVANSLAMBROU 2018/06/12 APPR: MVANSLAMBROU 2018/06/12 |
| ▽ = 0 | mm | 2.5:1 | GENERAL TOLERANCES (UNLESS SPECIFIED) | | PRODUCT CUSTOMER DRAWING | | | |
| ▽ = 0 | ANGULAR TOL ± 3.0° | | INITIAL REVISION: | | DOCUMENT NUMBER | DOC TYPE | DOC PART | REVISION |
| ▽ = 0 | 4 PLACES ± | | DRWN: APROFFITT 2013/05/06 | | SD-34986-8001 | PSD | 001 | C1 |
| ▽ = 0 | 3 PLACES ± | | APPR: VKOSHY 2013/05/16 | | MATERIAL NUMBER | CUSTOMER | SHEET NUMBER | |
| ▽ = 0 | 2 PLACES ± 0.1 | | THIRD ANGLE PROJECTION | | GENERAL MARKET | | 2 OF 5 | |
| ▽ = 0 | 1 PLACE ± 0.3 | | DRAWING | | | | | |
| ▽ = 0 | 0 PLACES ± | | SERIES | | | | | |
| ▽ = 0 | DRAFT WHERE APPLICABLE MUST REMAIN WITHIN DIMENSIONS | | A1-SIZE | | | | | |
| ▽ = 0 | | | 34986 | | | | | |

SHEET DESCRIPTION

KEY CONFIGURATIONS



| | | | | |
|-----------------|---|----------------|--------------------------------|---------------------|
| SYMBOLS | THIS DRAWING CONTAINS INFORMATION THAT IS PROPRIETARY TO MOLEX ELECTRONIC TECHNOLOGIES, LLC AND SHOULD NOT BE USED WITHOUT WRITTEN PERMISSION | | CURRENT REV DESC: | |
| | DIMENSION UNITS | SCALE | | |
| ▽ = 0 | mm | 3:1 | | |
| ▽ = 0 | GENERAL TOLERANCES (UNLESS SPECIFIED) | | | |
| ▽ = 0 | ANGULAR TOL ± 3.0° | | | |
| ▽ = 0 | 4 PLACES | ± | EC NO: 177763 | |
| ▽ = 0 | 3 PLACES | ± | DRWN: LSONG05 2018/05/30 | |
| ▽ = 0 | 2 PLACES | ± 0.1 | CHK'D: MVANSLAMBROU 2018/06/12 | |
| ▽ = 0 | 1 PLACE | ± 0.3 | APPR: MVANSLAMBROU 2018/06/12 | |
| ▽ = 0 | 0 PLACES | ± | INITIAL REVISION: | |
| ⊠ = 0 | DRAFT WHERE APPLICABLE MUST REMAIN WITHIN DIMENSIONS | | DRWN: APROFFITT 2013/05/06 | |
| ⊠ = 0 | THIRD ANGLE PROJECTION | | APPR: VKOSHY 2013/05/16 | |
| | | | DRAWING | SERIES |
| | | | A1-SIZE | 34986 |
| DOCUMENT STATUS | | P1 | RELEASE DATE | 2018/06/12 12:37:30 |
| DOCUMENT NUMBER | | DOC TYPE | | DOC PART |
| SD-34986-8001 | | PSD | | 001 |
| MATERIAL NUMBER | | CUSTOMER | | SHEET NUMBER |
| | | GENERAL MARKET | | 3 OF 5 |

molex

MX150 16 WAY HYBRID
BLADE SEALED ASSEMBLY

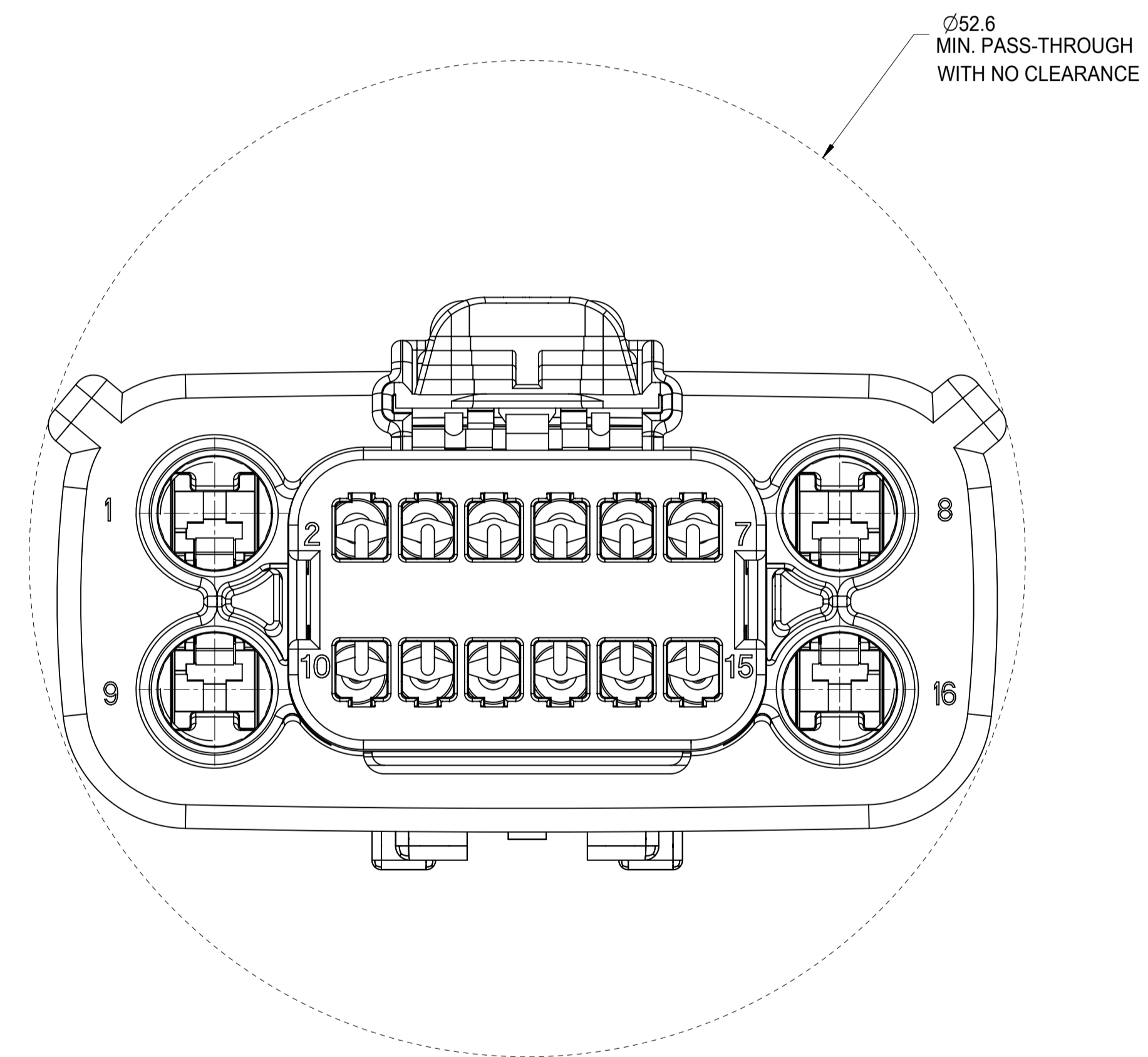
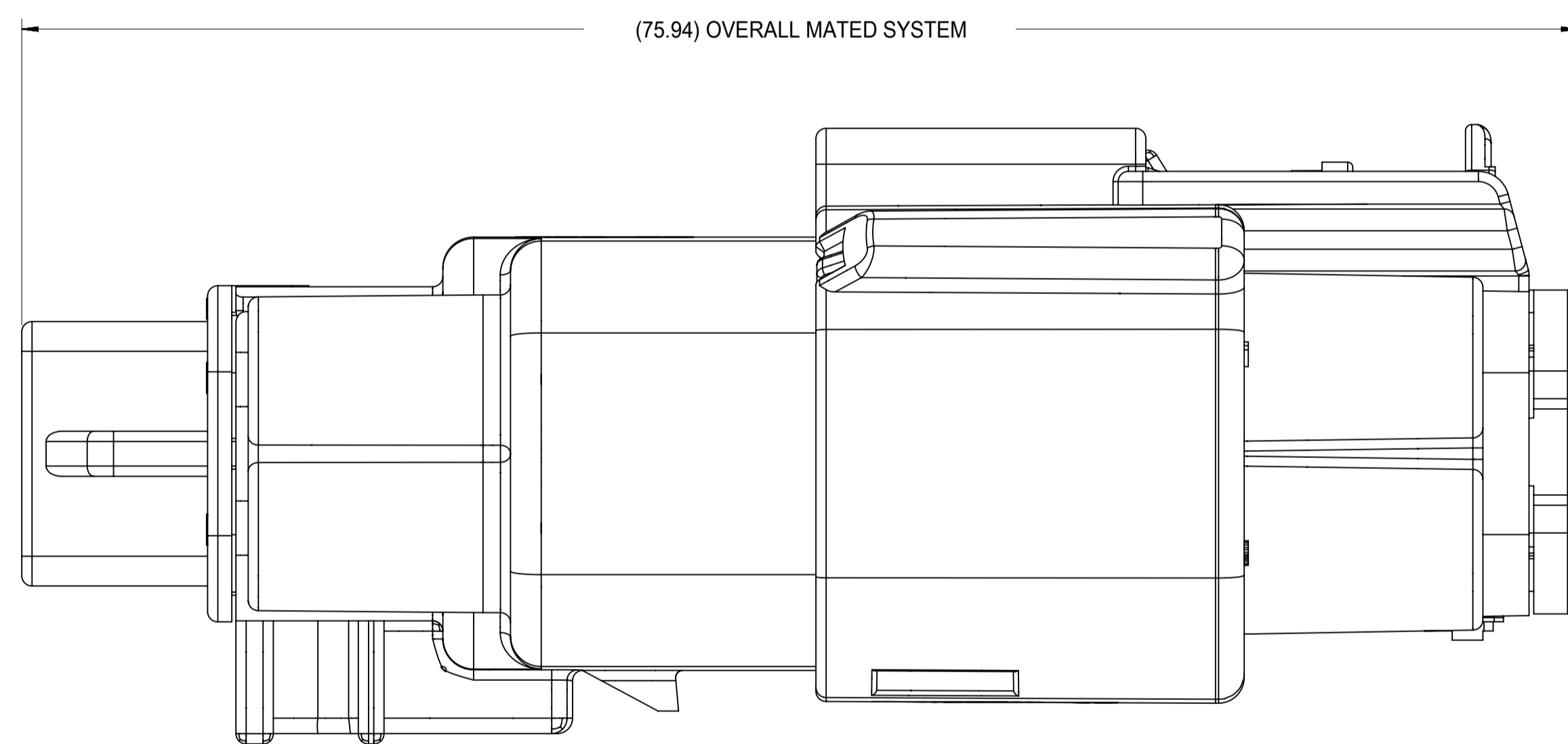
PRODUCT CUSTOMER DRAWING

SD-34986-8001 PSD 001 C1

GENERAL MARKET 3 OF 5

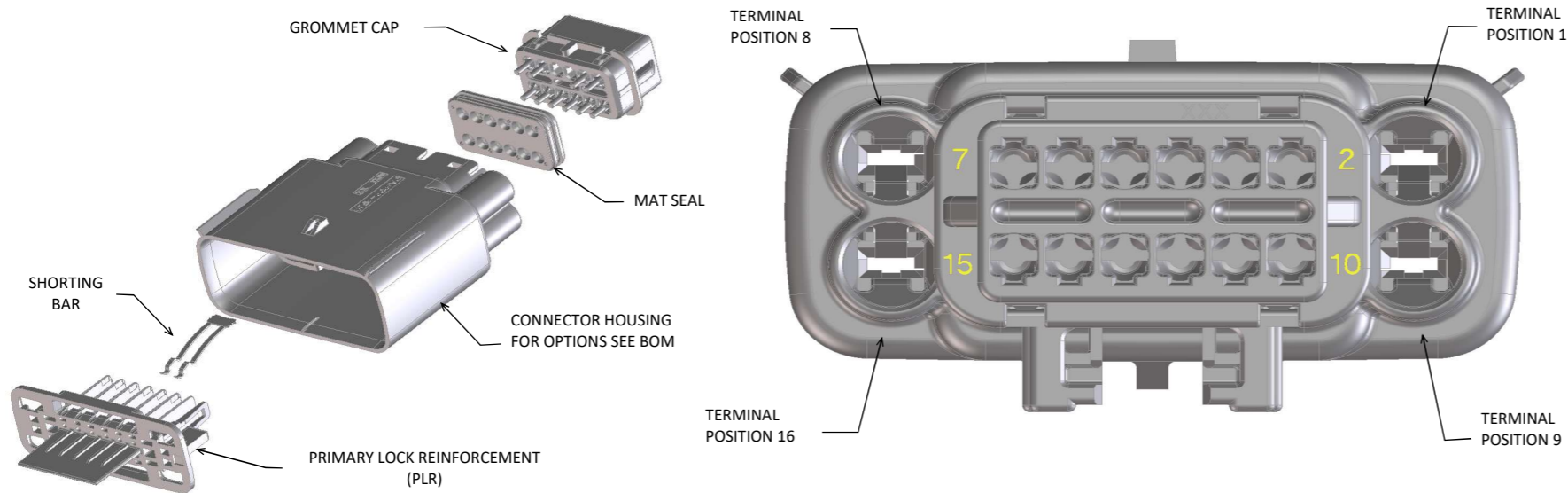
SHEET DESCRIPTION

SYSTEM PACKAGING



| SYMBOLS | | THIS DRAWING CONTAINS INFORMATION THAT IS PROPRIETARY TO MOLEX ELECTRONIC TECHNOLOGIES, LLC AND SHOULD NOT BE USED WITHOUT WRITTEN PERMISSION | | CURRENT REV DESC: | | molex | |
|---------|--|---|--------------------------------|-------------------|--------------------------|--|--------------------------------|
| ▽ = 0 | DIMENSION UNITS | mm | SCALE | 3:1 | | MX150 16 WAY HYBRID BLADE SEALED ASSEMBLY | |
| ▽ = 0 | GENERAL TOLERANCES (UNLESS SPECIFIED) | | EC NO: 177763 | | PRODUCT CUSTOMER DRAWING | | |
| ▽ = 0 | ANGULAR TOL ± 3.0° | | DRWN: LSONG05 2018/05/30 | | DOCUMENT NUMBER | | DOC TYPE DOC PART REVISION |
| ▽ = 0 | 4 PLACES ± | | CHK'D: MVANSLAMBROU 2018/06/12 | | SD-34986-8001 | | PSD 001 C1 |
| ▽ = 0 | 3 PLACES ± | | APPR: MVANSLAMBROU 2018/06/12 | | MATERIAL NUMBER | | CUSTOMER |
| ▽ = 0 | 2 PLACES ± 0.1 | | INITIAL REVISION: | | SERIES | | SHEET NUMBER |
| ▽ = 0 | 1 PLACE ± 0.3 | | DRWN: APROFFITT 2013/05/06 | | 34986 | | 5 OF 5 |
| ▽ = 0 | 0 PLACES ± | | APPR: VKOSHY 2013/05/16 | | DRAWING | | GENERAL MARKET |
| ▽ = 0 | DRAFT WHERE APPLICABLE MUST REMAIN WITHIN DIMENSIONS | | THIRD ANGLE PROJECTION | | A1-SIZE | | |

MX150 16 WAY HYBRID BLADE SEALED ASSEMBLY MAT SEAL (2.8mm CAVITIES OPEN)
BOM AND PIN OUT SHEET



FOR ADDITIONAL INFORMATION SEE SD-34986-8001

| ABBREVIATION | DESCRIPTION | COLOR | MATERIAL |
|--------------|----------------------------|------------|--------------------------------|
| A-BLK | HOUSING, KEYING OPTION A | BLACK | SPS/NYLON GF20 |
| B-LG | HOUSING, KEYING OPTION B | LIGHT GRAY | SPS/NYLON GF20 |
| C-BR | HOUSING, KEYING OPTION C | BROWN | SPS/NYLON GF20 |
| D-GR | HOUSING, KEYING OPTION D | GREEN | SPS/NYLON GF20 |
| A-YW | HOUSING, KEYING OPTION A | YELLOW | SPS/NYLON GF20 |
| C-DG | HOUSING, KEYING OPTION C | DARK GRAY | SPS/NYLON GF20 |
| D-SG | HOUSING, KEYING OPTION D | STONE GRAY | SPS/NYLON GF20 |
| E-BLK | HOUSING, KEYING OPTION E | BLACK | SPS/NYLON GF20 |
| F-LG | HOUSING, KEYING OPTION F* | LIGHT GRAY | SPS/NYLON GF20 |
| G-BR | HOUSING, KEYING OPTION G | BROWN | SPS/NYLON GF20 |
| H-YW | HOUSING, KEYING OPTION H | YELLOW | SPS/NYLON GF20 |
| GC-S | STANDARD GROMMET CAP | BLACK | SPS/NYLON GF20 |
| GC-SB1 | SHORTING BAR GROMMET CAP 1 | BLACK | SPS/NYLON GF20 |
| GC-SB2 | SHORTING BAR GROMMET CAP 2 | BLACK | SPS/NYLON GF20 |
| GC-SB3 | SHORTING BAR GROMMET CAP 3 | BLACK | SPS/NYLON GF20 |
| GC-SB4 | SHORTING BAR GROMMET CAP 4 | BLACK | SPS/NYLON GF20 |
| GC-SB5 | SHORTING BAR GROMMET CAP 5 | BLACK | SPS/NYLON GF20 |
| GC-SB6 | SHORTING BAR GROMMET CAP 6 | BLACK | SPS/NYLON GF20 |
| SB | SHORTING BAR | GOLD PL | 30100 STAINLESS STEEL |
| PLR | PLR | NATURAL | SPS/NYLON GF20 |
| M | MAT SEAL | RUST RED | INHERENTLY LUBRICATED SILICONE |

CLIPSLOT TYPE "A" STANDARD FOR ALL KEYING OPTIONS
*CLIPSLOT TYPE "B" OPTIONAL

| ASSEMBLY DESCRIPTION | ASSEMBLY PART NUMBER | COMPONENT | | | | | BLOCKED TERMINALS | | | | | | | | | | | | | | | | STATUS | COMMENTS | OPTIONAL ATTACHMENTS SOLD SEPERATELY | | | | | |
|------------------------------|----------------------|---|-------------|-----|----------|--------|--|---|---|---|---|---|---|---|---|----|----|----|----|----|----|----|--------|----------|--------------------------------------|------------------------|-----------------|----------------|-----------|---------------|
| | | THE PRESENCE OF AN ABBREVIATION INDICATES THE PRESENCE OF THAT COMPONENT. | | | | | CAVITY WITH A NUMBER INDICATES BLOCKED TERMINAL POSITION CAVITY WITHOUT A NUMBER INDICATES OPEN TERMINAL POSITION | | | | | | | | | | | | | | | | | | BACKSHELL WITH RIBS | BACKSHELL WITHOUT RIBS | | | | |
| | | HOUSING KEY/COLOR | GROMMET CAP | PLR | MAT SEAL | SB QTY | 1 | 2 | 3 | 4 | 5 | 6 | 7 | 8 | 9 | 10 | 11 | 12 | 13 | 14 | 15 | 16 | | | | | | | | |
| KEY A, BLACK | 34986-1601 | A-BLK | GC-S | PLR | M | | | | | | | | | | | | | | | | | | | | | | SALEABLE | | 349531610 | NOT AVAILABLE |
| KEY B, LIGHT GRAY | 34986-1602 | B-LG | GC-S | PLR | M | | | | | | | | | | | | | | | | | | | | | | SALEABLE | | 349531610 | NOT AVAILABLE |
| KEY C, BROWN | 34986-1603 | C-BR | GC-S | PLR | M | | | | | | | | | | | | | | | | | | | | | | NOT RECOMMENDED | SEE 34986-1959 | 349531610 | NOT AVAILABLE |
| KEY D, GREEN | 34986-1604 | D-GR | GC-S | PLR | M | | | | | | | | | | | | | | | | | | | | | | NOT RECOMMENDED | SEE 34986-1960 | 349531610 | NOT AVAILABLE |
| KEY A, YELLOW | 34986-1605 | A-YW | GC-S | PLR | M | | | | | | | | | | | | | | | | | | | | | | SALEABLE | | 349531610 | NOT AVAILABLE |
| KEY A, BLACK | 34986-1606 | A-BLK | GC-S | PLR | M | | | | | | | | | | | | | | | | | | | | | | SALEABLE | | 349531610 | NOT AVAILABLE |
| KEY B, LIGHT GRAY | 34986-1607 | B-LG | GC-S | PLR | M | | | | | | | | | | | | | | | | | | | | | | SALEABLE | | 349531610 | NOT AVAILABLE |
| KEY C, BROWN | 34986-1608 | C-BR | GC-S | PLR | M | | | | | | | | | | | | | | | | | | | | | | NOT RECOMMENDED | | 349531610 | NOT AVAILABLE |
| KEY D, GREEN | 34986-1609 | D-GR | GC-S | PLR | M | | | | | | | | | | | | | | | | | | | | | | NOT RECOMMENDED | | 349531610 | NOT AVAILABLE |
| KEY A, YELLOW | 34986-1610 | A-YW | GC-S | PLR | M | | | | | | | | | | | | | | | | | | | | | | SALEABLE | | 349531610 | NOT AVAILABLE |
| KEY A, BLACK | 34986-1611 | A-BLK | GC-S | PLR | M | | | | | | | | | | | | | | | | | | | | | | SALEABLE | | 349531610 | NOT AVAILABLE |
| KEY B, LIGHT GRAY | 34986-1612 | B-LG | GC-S | PLR | M | | | | | | | | | | | | | | | | | | | | | | SALEABLE | | 349531610 | NOT AVAILABLE |
| KEY C, BROWN | 34986-1613 | C-BR | GC-S | PLR | M | | | | | | | | | | | | | | | | | | | | | | NOT RECOMMENDED | | 349531610 | NOT AVAILABLE |
| KEY D, GREEN | 34986-1614 | D-GR | GC-S | PLR | M | | | | | | | | | | | | | | | | | | | | | | NOT RECOMMENDED | | 349531610 | NOT AVAILABLE |
| KEY A, YELLOW | 34986-1615 | A-YW | GC-S | PLR | M | | | | | | | | | | | | | | | | | | | | | | SALEABLE | | 349531610 | NOT AVAILABLE |
| KEY A, BLACK | 34986-1621 | A-BLK | GC-S | PLR | M | | | | | | | | | | | | | | | | | | | | | | SALEABLE | | 349531610 | NOT AVAILABLE |
| KEY A, BLACK | 34986-1626 | A-BLK | GC-S | PLR | M | | | | | | | | | | | | | | | | | | | | | | SALEABLE | | 349531610 | NOT AVAILABLE |
| KEY A, BLACK | 34986-1631 | A-BLK | GC-S | PLR | M | | | | | | | | | | | | | | | | | | | | | | SALEABLE | | 349531610 | NOT AVAILABLE |
| KEY A, BLACK | 34986-1636 | A-BLK | GC-S | PLR | M | | | | | | | | | | | | | | | | | | | | | | SALEABLE | | 349531610 | NOT AVAILABLE |
| KEY A, BLACK | 34986-1641 | A-BLK | GC-S | PLR | M | | | | | | | | | | | | | | | | | | | | | | SALEABLE | | 349531610 | NOT AVAILABLE |
| KEY A, BLACK | 34986-1646 | A-BLK | GC-S | PLR | M | | | | | | | | | | | | | | | | | | | | | | SALEABLE | | 349531610 | NOT AVAILABLE |
| KEY A, BLACK | 34986-1651 | A-BLK | GC-S | PLR | M | | | | | | | | | | | | | | | | | | | | | | SALEABLE | | 349531610 | NOT AVAILABLE |
| KEY A, BLACK | 34986-1656 | A-BLK | GC-S | PLR | M | | | | | | | | | | | | | | | | | | | | | | SALEABLE | | 349531610 | NOT AVAILABLE |
| KEY A, BLACK | 34986-1661 | A-BLK | GC-S | PLR | M | | | | | | | | | | | | | | | | | | | | | | SALEABLE | | 349531610 | NOT AVAILABLE |
| KEY A, BLACK | 34986-1666 | A-BLK | GC-S | PLR | M | | | | | | | | | | | | | | | | | | | | | | SALEABLE | | 349531610 | NOT AVAILABLE |
| KEY A, BLACK | 34986-1671 | A-BLK | GC-S | PLR | M | | | | | | | | | | | | | | | | | | | | | | SALEABLE | | 349531610 | NOT AVAILABLE |
| KEY A, BLACK | 34986-1672 | A-BLK | GC-S | PLR | M | | | | | | | | | | | | | | | | | | | | | | SALEABLE | | 349531610 | NOT AVAILABLE |
| KEY E, BLACK, WITH S.B. | 34986-1701 | E-BLK | GC-SB1 | PLR | M | 2 | | | | | | | | | | | | | | | | | | | | | SALEABLE | | 349531610 | NOT AVAILABLE |
| KEY F, LIGHT GRAY, WITH S.B. | 34986-1702 | F-LG | GC-SB1 | PLR | M | 2 | | | | | | | | | | | | | | | | | | | | | SALEABLE | | 349531610 | NOT AVAILABLE |
| KEY G, BROWN, WITH S.B. | 34986-1703 | G-BR | GC-SB1 | PLR | M | 2 | | | | | | | | | | | | | | | | | | | | | SALEABLE | | 349531610 | NOT AVAILABLE |
| KEY H, YELLOW, WITH S.B. | 34986-1704 | H-YW | GC-SB1 | PLR | M | 2 | | | | | | | | | | | | | | | | | | | | | SALEABLE | | 349531610 | NOT AVAILABLE |
| KEY H, YELLOW, WITH S.B. | 34986-1708 | H-YW | GC-SB1 | PLR | M | 2 | | | | | | | | | | | | | | | | | | | | | SALEABLE | | 349531610 | NOT AVAILABLE |
| KEY H, YELLOW, WITH S.B. | 34986-1710 | H-YW | GC-SB1 | PLR | M | 2 | | | | | | | | | | | | | | | | | | | | | SALEABLE | | 349531610 | NOT AVAILABLE |
| KEY H, YELLOW, WITH S.B. | 34986-1712 | H-YW | GC-SB1 | PLR | M | 2 | | | | | | | | | | | | | | | | | | | | | SALEABLE | | 349531610 | NOT AVAILABLE |
| KEY E, BLACK, WITH S.B. | 34986-1714 | E-BLK | GC-SB2 | PLR | M | 1 | | | | | | | | | | | | | | | | | | | | | SALEABLE | | 349531610 | NOT AVAILABLE |
| KEY B, LIGHT GRAY | 34986-1715 | B-LG | GC-S | PLR | M | | | | | | | | | | | | | | | | | | | | | | SALEABLE | | 349531610 | NOT AVAILABLE |
| KEY A, BLACK | 34986-1716 | A-BLK | GC-S | PLR | M | | | | | | | | | | | | | | | | | | | | | | SALEABLE | | 349531610 | NOT AVAILABLE |
| KEY A, BLACK | 34986-1717 | A-BLK | GC-S | PLR | M | | | | | | | | | | | | | | | | | | | | | | SALEABLE | | 349531610 | NOT AVAILABLE |
| KEY A, BLACK | 34986-1718 | A-BLK | GC-S | PLR | M | | | | | | | | | | | | | | | | | | | | | | SALEABLE | | 349531610 | NOT AVAILABLE |
| KEY A, BLACK | 34986-1719 | A-BLK | GC-S | PLR | M | | | | | | | | | | | | | | | | | | | | | | SALEABLE | | 349531610 | NOT AVAILABLE |
| KEY A, BLACK | 34986-1720 | A-BLK | GC-S | PLR | M | | | | | | | | | | | | | | | | | | | | | | SALEABLE | | 349531610 | NOT AVAILABLE |
| KEY F, LIGHT GRAY, WITH S.B. | 34986-1721 | F-LG | GC-SB2 | PLR | M | 1 | | | | | | | | | | | | | | | | | | | | | SALEABLE | | 349531610 | NOT AVAILABLE |
| KEY F, LIGHT GRAY, WITH S.B. | 34986-1722 | F-LG | GC-SB2 | PLR | M | 1 | | | | | | | | | | | | | | | | | | | | | SALEABLE | | 349531610 | NOT AVAILABLE |
| KEY F, LIGHT GRAY, WITH S.B. | 34986-1723 | F-LG | GC-SB2 | PLR | M | 1 | | | | | | | | | | | | | | | | | | | | | SALEABLE | | 349531610 | NOT AVAILABLE |
| KEY F, LIGHT GRAY, WITH S.B. | 34986-1724 | F-LG | GC-SB2 | PLR | M | 1 | | | | | | | | | | | | | | | | | | | | | SALEABLE | | 349531610 | NOT AVAILABLE |
| KEY F, LIGHT GRAY, WITH S.B. | 34986-1725 | F-LG | GC-SB2 | PLR | M | 1 | | | | | | | | | | | | | | | | | | | | | SALEABLE | | 349531610 | NOT AVAILABLE |
| KEY F, LIGHT GRAY, WITH S.B. | 34986-1726 | F-LG | GC-SB2 | PLR | M | 1 | | | | | | | | | | | | | | | | | | | | | SALEABLE | | 349531610 | NOT AVAILABLE |
| KEY F, LIGHT GRAY, WITH S.B. | 34986-1727 | F-LG | GC-SB2 | PLR | M | 1 | | | | | | | | | | | | | | | | | | | | | SALEABLE | | 349531610 | NOT AVAILABLE |
| KEY F, LIGHT GRAY, WITH S.B. | 34986-1728 | F-LG | GC-SB2 | PLR | M | 1 | | | | | | | | | | | | | | | | | | | | | SALEABLE | | 349531610 | NOT AVAILABLE |
| KEY F, LIGHT GRAY | 34986-1729 | F-LG | GC-S | PLR | M | | | | | | | | | | | | | | | | | | | | | | SALEABLE | | 349531610 | NOT AVAILABLE |
| KEY F, LIGHT GRAY, WITH S.B. | 34986-1731 | F-LG | GC-SB2 | PLR | M | 1 | | | | | | | | | | | | | | | | | | | | | SALEABLE | | 349531610 | NOT AVAILABLE |
| KEY A, BLACK | 34986-1732 | A-BLK | GC-S | PLR | M | | | | | | | | | | | | | | | | | | | | | | SALEABLE | | 349531610 | NOT AVAILABLE |
| KEY E, BLACK, WITH S.B. | 34986-1733 | E-BLK | GC-SB3 | PLR | M | 4 | | | | | | | | | | | | | | | | | | | | | SALEABLE | | 349531610 | NOT AVAILABLE |
| KEY E, BLACK, WITH S.B. | 34986-1734 | E-BLK | GC-SB4 | PLR | M | 3 | | | | | | | | | | | | | | | | | | | | | SALEABLE | | 349531610 | NOT AVAILABLE |
| KEY E, BLACK, WITH S.B. | 34986-1739 | E-BLK | GC-SB1 | PLR | M | 2 | | | | | | | | | | | | | | | | | | | | | SALEABLE | | 349531610 | NOT AVAILABLE |
| KEY E, BLACK, WITH S.B. | 34986-1740 | E-BLK | GC-SB1 | PLR | M | 2 | | | | | | | | | | | | | | | | | | | | | SALEABLE | | 349531610 | NOT AVAILABLE |
| KEY E, BLACK, WITH S.B. | 34986-1741 | E-BLK | GC-SB1 | PLR | M | 2 | | | | | | | | | | | | | | | | | | | | | SALEABLE | | 349531610 | NOT AVAILABLE |
| KEY E, BLACK, WITH S.B. | 34986-1742 | E-BLK | GC-SB1 | PLR | M | 2 | | | | | | | | | | | | | | | | | | | | | SALEABLE | | 349531610 | NOT AVAILABLE |

MX150 16 WAY HYBRID BLADE SEALED ASSEMBLY MAT SEAL (2.8mm CAVITIES OPEN)
BOM AND PIN OUT SHEET

| ASSEMBLY DESCRIPTION | ASSEMBLY PART NUMBER | COMPONENT | | | | | BLOCKED TERMINALS | | | | | | | | | | | | | | | | STATUS | COMMENTS | OPTIONAL ATTACHMENTS SOLD SEPARATELY | | | | |
|--------------------------|----------------------|---|-------------|-----|----------|--------|--|----|----|----|----|----|----|----|----|----|----|----|----|----|----|----|--------|----------|--------------------------------------|------------------------|-----------|---------------|---------------|
| | | THE PRESENCE OF AN ABBREVIATION INDICATES THE PRESENCE OF THAT COMPONENT. | | | | | CAVITY WITH A NUMBER INDICATES BLOCKED TERMINAL POSITION CAVITY WITHOUT A NUMBER INDICATES OPEN TERMINAL POSITION | | | | | | | | | | | | | | | | | | BACKSHELL WITH RIBS | BACKSHELL WITHOUT RIBS | | | |
| | | HOUSING KEY/COLOR | GROMMET CAP | PLR | MAT SEAL | SB QTY | 1 | 2 | 3 | 4 | 5 | 6 | 7 | 8 | 9 | 10 | 11 | 12 | 13 | 14 | 15 | 16 | | | | | | | |
| KEY B, LIGHT GRAY | 34986-1834 | B-LG | GC-5 | PLR | M | | | | 3 | 4 | 5 | | | | | | | | | | | | | | SALEABLE | | 349531610 | NOT AVAILABLE | |
| KEY B, LIGHT GRAY | 34986-1835 | B-LG | GC-5 | PLR | M | | | | 3 | 4 | 5 | | | | 10 | 11 | 12 | 13 | 14 | 15 | | | | | SALEABLE | | 349531610 | NOT AVAILABLE | |
| KEY B, LIGHT GRAY | 34986-1836 | B-LG | GC-5 | PLR | M | | | | | | 5 | | | | | | | | | | | | | | SALEABLE | | 349531610 | NOT AVAILABLE | |
| KEY A, BLACK | 34986-1837 | A-BLK | GC-5 | PLR | M | | | | 3 | | | | | | 10 | 11 | | | | | | | | | SALEABLE | | 349531610 | NOT AVAILABLE | |
| KEY E, BLACK | 34986-1838 | E-BLK | GC-5 | PLR | M | | | | | | | | | | 10 | 11 | | | | 14 | | | | | SALEABLE | | 349531610 | NOT AVAILABLE | |
| KEY E, BLACK | 34986-1839 | E-BLK | GC-5 | PLR | M | | | | | | | | | | 10 | 11 | | | | 14 | | | | | SALEABLE | | 349531610 | NOT AVAILABLE | |
| KEY H, YELLOW, WITH S.B. | 34986-1840 | H-YW | GC-SB5 | PLR | M | 5 | | SB | SB | SB | SB | SB | SB | SB | | | | | | | | | | | SALEABLE | | 349531610 | NOT AVAILABLE | |
| KEY A, BLACK | 34986-1841 | A-BLK | GC-5 | PLR | M | | | | | | | | | | | | | | | 14 | | | | | SALEABLE | | 349531610 | NOT AVAILABLE | |
| KEY A, BLACK | 34986-1842 | A-BLK | GC-5 | PLR | M | | | | | | | | | | | | | | | | | | | | SALEABLE | | 349531610 | NOT AVAILABLE | |
| KEY A, BLACK | 34986-1843 | A-BLK | GC-5 | PLR | M | | | | | | 5 | | | | 10 | | | | | | | | | | SALEABLE | | 349531610 | NOT AVAILABLE | |
| KEY A, BLACK | 34986-1844 | A-BLK | GC-5 | PLR | M | | | 2 | | | 4 | | | | | | | | | | | | | | SALEABLE | | 349531610 | NOT AVAILABLE | |
| KEY A, BLACK | 34986-1845 | A-BLK | GC-5 | PLR | M | | | | | | | | | | | | | | | | | | | | SALEABLE | | 349531610 | NOT AVAILABLE | |
| KEY A, BLACK | 34986-1846 | A-BLK | GC-5 | PLR | M | | | 2 | 3 | 4 | 5 | 6 | 7 | | | 11 | 12 | 13 | 14 | 15 | | | | | SALEABLE | | 349531610 | NOT AVAILABLE | |
| KEY A, BLACK | 34986-1847 | A-BLK | GC-5 | PLR | M | | | 2 | 3 | 4 | 5 | | | | | | 12 | 13 | 14 | 15 | | | | | SALEABLE | | 349531610 | NOT AVAILABLE | |
| KEY A, BLACK | 34986-1848 | A-BLK | GC-5 | PLR | M | | | 2 | 3 | 4 | 5 | | | | | 11 | 12 | 13 | 14 | 15 | | | | | SALEABLE | | 349531610 | NOT AVAILABLE | |
| KEY A, BLACK | 34986-1849 | A-BLK | GC-5 | PLR | M | | | | | | 5 | 6 | 7 | | | | | | | 13 | 14 | 15 | | | SALEABLE | | 349531610 | NOT AVAILABLE | |
| KEY A, BLACK | 34986-1850 | A-BLK | GC-5 | PLR | M | | | 2 | | | | 5 | 6 | 7 | | 10 | | | | 13 | 14 | 15 | | | SALEABLE | | 349531610 | NOT AVAILABLE | |
| KEY A, BLACK | 34986-1851 | A-BLK | GC-5 | PLR | M | | | 2 | | | | | | | 10 | | | | | 13 | 14 | 15 | | | SALEABLE | | 349531610 | NOT AVAILABLE | |
| KEY A, BLACK | 34986-1852 | A-BLK | GC-5 | PLR | M | | | 2 | 3 | 4 | | | | | 10 | 11 | 12 | 13 | 14 | 15 | | | | | SALEABLE | | 349531610 | NOT AVAILABLE | |
| KEY A, BLACK | 34986-1853 | A-BLK | GC-5 | PLR | M | | | | 3 | 4 | 5 | 6 | 7 | | | 11 | 12 | 13 | 14 | 15 | | | | | SALEABLE | | 349531610 | NOT AVAILABLE | |
| KEY A, BLACK | 34986-1854 | A-BLK | GC-5 | PLR | M | | | 2 | | 4 | 5 | | | | 10 | | | | | | | | | | SALEABLE | | 349531610 | NOT AVAILABLE | |
| KEY A, BLACK | 34986-1855 | A-BLK | GC-5 | PLR | M | | | 2 | 3 | | | | | | 10 | | | | | | | | | | SALEABLE | | 349531610 | NOT AVAILABLE | |
| KEY A, BLACK | 34986-1856 | A-BLK | GC-5 | PLR | M | | | 2 | | | | | | | 10 | 11 | | | | | | | | | SALEABLE | | 349531610 | NOT AVAILABLE | |
| KEY A, BLACK | 34986-1857 | A-BLK | GC-5 | PLR | M | | | | | | | | | | | | 12 | 13 | 14 | 15 | | | | | SALEABLE | | 349531610 | NOT AVAILABLE | |
| KEY A, BLACK | 34986-1858 | A-BLK | GC-5 | PLR | M | | | | | | | | | | | | | 13 | 14 | 15 | | | | | SALEABLE | | 349531610 | NOT AVAILABLE | |
| KEY A, BLACK | 34986-1859 | A-BLK | GC-5 | PLR | M | | | | | | | | | | | | | | | | | | | | SALEABLE | | 349531610 | NOT AVAILABLE | |
| KEY A, BLACK | 34986-1860 | A-BLK | GC-5 | PLR | M | | | | 3 | | | | | | 10 | | | | | 13 | 14 | 15 | | | SALEABLE | | 349531610 | NOT AVAILABLE | |
| KEY A, BLACK | 34986-1861 | A-BLK | GC-5 | PLR | M | | | 2 | 3 | 4 | 5 | 6 | 7 | | | | | | | 12 | 13 | 14 | 15 | | | SALEABLE | | 349531610 | NOT AVAILABLE |
| KEY A, BLACK | 34986-1862 | A-BLK | GC-5 | PLR | M | | | 2 | | 4 | | | | | | | | | | 13 | 14 | 15 | | | SALEABLE | | 349531610 | NOT AVAILABLE | |
| KEY A, BLACK | 34986-1863 | A-BLK | GC-5 | PLR | M | | | 2 | | | | | | | | | | | | 13 | 14 | 15 | | | SALEABLE | | 349531610 | NOT AVAILABLE | |
| KEY A, BLACK | 34986-1864 | A-BLK | GC-5 | PLR | M | | | | | 3 | 4 | | | | 10 | 11 | | | | 13 | 14 | 15 | | | SALEABLE | | 349531610 | NOT AVAILABLE | |
| KEY A, BLACK | 34986-1865 | A-BLK | GC-5 | PLR | M | | | | 3 | 4 | | | | | 10 | 11 | 12 | 13 | 14 | 15 | | | | | SALEABLE | | 349531610 | NOT AVAILABLE | |
| KEY A, BLACK | 34986-1866 | A-BLK | GC-5 | PLR | M | | | | 3 | 4 | | | | | 10 | 11 | | | | 13 | 14 | 15 | | | SALEABLE | | 349531610 | NOT AVAILABLE | |
| KEY A, BLACK | 34986-1867 | A-BLK | GC-5 | PLR | M | | | | | | | 6 | 7 | | | | | | | | | | | | SALEABLE | | 349531610 | NOT AVAILABLE | |
| KEY A, BLACK | 34986-1868 | A-BLK | GC-5 | PLR | M | | | | | 3 | | | | | | | | | | | | | | | SALEABLE | | 349531610 | NOT AVAILABLE | |
| KEY A, BLACK | 34986-1869 | A-BLK | GC-5 | PLR | M | | | 2 | | | | | | | | | | | | | | | 14 | | SALEABLE | | 349531610 | NOT AVAILABLE | |
| KEY A, BLACK | 34986-1870 | A-BLK | GC-5 | PLR | M | | | 2 | | | | | 6 | 7 | | | | | | | | | | | SALEABLE | | 349531610 | NOT AVAILABLE | |
| KEY E, BLACK, WITH S.B. | 34986-1871 | E-BLK | GC-SB1 | PLR | M | 2 | | 2 | 3 | SB | SB | 6 | 7 | | | 10 | 11 | SB | SB | 14 | 15 | | | | SALEABLE | | 349531610 | NOT AVAILABLE | |
| KEY A, BLACK | 34986-1872 | A-BLK | GC-5 | PLR | M | | | | | 3 | | | | | | 10 | 11 | 12 | 13 | 14 | 15 | | | | SALEABLE | | 349531610 | NOT AVAILABLE | |
| KEY H, YELLOW, WITH S.B. | 34986-1873 | H-YW | GC-SB2 | PLR | M | 1 | | 2 | 3 | SB | SB | 6 | 7 | | | 10 | 11 | 12 | 13 | 14 | | | | | SALEABLE | | 349531610 | NOT AVAILABLE | |
| KEY H, YELLOW, WITH S.B. | 34986-1874 | H-YW | GC-SB2 | PLR | M | 1 | | 2 | 3 | SB | SB | 6 | 7 | | | 10 | 11 | 12 | 13 | | | | | | SALEABLE | | 349531610 | NOT AVAILABLE | |
| KEY H, YELLOW, WITH S.B. | 34986-1875 | H-YW | GC-SB2 | PLR | M | 1 | | 2 | 3 | SB | SB | 6 | 7 | | | | | | | 12 | 13 | 14 | | | | SALEABLE | | 349531610 | NOT AVAILABLE |
| KEY H, YELLOW, WITH S.B. | 34986-1876 | H-YW | GC-SB2 | PLR | M | 1 | | 2 | 3 | SB | SB | 6 | 7 | | | | | | | 12 | 13 | 14 | 15 | | | SALEABLE | | 349531610 | NOT AVAILABLE |
| KEY H, YELLOW, WITH S.B. | 34986-1877 | H-YW | GC-SB2 | PLR | M | 1 | | 2 | 3 | SB | SB | | | | 10 | 11 | 12 | 13 | 14 | 15 | | | | | SALEABLE | | 349531610 | NOT AVAILABLE | |
| KEY H, YELLOW, WITH S.B. | 34986-1878 | H-YW | GC-SB2 | PLR | M | 1 | | 2 | 3 | SB | SB | | | | | | | | | 12 | 13 | 14 | 15 | | | SALEABLE | | 349531610 | NOT AVAILABLE |
| KEY H, YELLOW, WITH S.B. | 34986-1879 | H-YW | GC-SB2 | PLR | M | 1 | | | | SB | SB | | | | 10 | 11 | 12 | 13 | | | | | | | SALEABLE | | 349531610 | NOT AVAILABLE | |
| KEY H, YELLOW, WITH S.B. | 34986-1880 | H-YW | GC-SB2 | PLR | M | 1 | | | | SB | SB | | | | 10 | 11 | 12 | 13 | 14 | 15 | | | | | SALEABLE | | 349531610 | NOT AVAILABLE | |
| KEY H, YELLOW, WITH S.B. | 34986-1881 | H-YW | GC-SB2 | PLR | M | 1 | | | | SB | SB | | | | | | | | | 12 | 13 | 14 | 15 | | | SALEABLE | | 349531610 | NOT AVAILABLE |
| KEY B, LIGHT GRAY | 34986-1882 | B-LG | GC-5 | PLR | M | | | | | | | | | | 10 | 11 | 12 | 13 | 14 | 15 | | | | | SALEABLE | | 349531610 | NOT AVAILABLE | |
| KEY A, BLACK | 34986-1883 | A-BLK | GC-5 | PLR | M | | | 2 | | | | | | | | 10 | 11 | 12 | 13 | | | | | | SALEABLE | | 349531610 | NOT AVAILABLE | |
| KEY H, YELLOW, WITH S.B. | 34986-1884 | H-YW | GC-SB2 | PLR | M | 1 | | | | SB | SB | | | | | | | | | | | | | | SALEABLE | | 349531610 | NOT AVAILABLE | |
| KEY H, YELLOW, WITH S.B. | 34986-1885 | H-YW | GC-SB2 | PLR | M | 1 | | | | SB | SB | 6 | 7 | | | 10 | 11 | | | | | | | | SALEABLE | | 349531610 | NOT AVAILABLE | |
| KEY A, BLACK | 34986-1886 | A-BLK | GC-5 | PLR | M | | | 2 | 3 | 4 | | | | | | | | | | | | | 14 | | SALEABLE | | 349531610 | NOT AVAILABLE | |
| KEY A, BLACK | 34986-1887 | A-BLK | GC-5 | PLR | M | | | | | | | | | | 10 | 11 | | | | | | | | | SALEABLE | | 349531610 | NOT AVAILABLE | |
| KEY A, BLACK | 34986-1888 | A-BLK | GC-5 | PLR | M | | | | | | | | 6 | 7 | | | | | | | | | | | SALEABLE | | 349531610 | NOT AVAILABLE | |
| KEY A, BLACK | 34986-1889 | A-BLK | GC-5 | PLR | M | | | | | | | | | | 10 | 11 | 12 | 13 | 14 | 15 | | | | | SALEABLE | | 349531610 | NOT AVAILABLE | |
| KEY A, BLACK | 34986-1890 | A-BLK | GC-5 | PLR | M | | | 2 | | | | | | | 10 | 11 | 12 | 13 | | | | | | | SALEABLE | | 349531610 | NOT AVAILABLE | |
| KEY A, BLACK | 34986-1891 | A-BLK | GC-5 | PLR | M | | | 2 | | | | | | | 10 | 11 | 12 | | | | | | | | SALEABLE | | 349531610 | NOT AVAILABLE | |
| KEY A, BLACK | 34986-1892 | A-BLK | GC-5 | PLR | M | | | | | 3 | | | | | | | | | | | | | | | SALEABLE | | 349531610 | NOT AVAILABLE | |
| KEY A, BLACK | 34986-1893 | A-BLK | GC-5 | PLR | M | | | 2 | | | | | 6 | 7 | | | | | | | | | | | SALEABLE | | 349531610 | NOT AVAILABLE | |
| KEY A, BLACK | 34986-1894 | A-BLK | GC-5 | PLR | M | | | 2 | | | 4 | 5 | 6 | | | 10 | 11 | 12 | 13 | 14 | 15 | | | | SALEABLE | | 349531610 | NOT AVAILABLE | |
| KEY A, BLACK | 34986-1895 | A-BLK | GC-5 | PLR | M | | | 2 | 3 | 4 | | | | | 10 | 11 | 12 | 13 | 14 | 15 | | | | | SALEABLE | | 349531610 | NOT AVAILABLE | |
| KEY A, BLACK | 34986-1900 | A-BLK | GC-5 | PLR | M | | | 2 | 3 | | | | | | | | | | | | | | | | SALEABLE | | 349531610 | NOT AVAILABLE | |
| KEY A, BLACK | 34986-1901 | A-BLK | GC-5 | PLR | M | | | | | 3 | | | | | | | | | | | | | | | SALEABLE | | 349531610 | NOT AVAILABLE | |
| KEY A, BLACK | 34986-1902 | A-BLK | GC-5 | PLR | M | | | | | | 4 | | | | | | | | | | | | | | SALEABLE | | 349531610 | NOT AVAILABLE | |
| KEY A, BLACK | 34986-1903 | A-BLK | GC-5 | PLR | M | | | 2 | | | | | 6 | 7 | | | | | | 12 | 13 | 14 | 15 | </ | | | | | |

MX150 16 WAY HYBRID BLADE SEALED ASSEMBLY MAT SEAL (2.8mm CAVITIES OPEN)
BOM AND PIN OUT SHEET

| ASSEMBLY DESCRIPTION | ASSEMBLY PART NUMBER | COMPONENT | | | | | BLOCKED TERMINALS | | | | | | | | | | | | | | | | STATUS | COMMENTS | OPTIONAL ATTACHMENTS SOLD SEPARATELY | |
|------------------------------|----------------------|---|-------------|-----|----------|--------|--|---|---|----|----|---|---|---|----|----|----|----|----|----|----|----------|----------|-----------|--------------------------------------|------------------------|
| | | THE PRESENCE OF AN ABBREVIATION INDICATES THE PRESENCE OF THAT COMPONENT. | | | | | CAVITY WITH A NUMBER INDICATES BLOCKED TERMINAL POSITION CAVITY WITHOUT A NUMBER INDICATES OPEN TERMINAL POSITION | | | | | | | | | | | | | | | | | | BACKSHELL WITH RIBS | BACKSHELL WITHOUT RIBS |
| | | HOUSING KEY/COLOR | GROMMET CAP | PLR | MAT SEAL | SB QTY | 1 | 2 | 3 | 4 | 5 | 6 | 7 | 8 | 9 | 10 | 11 | 12 | 13 | 14 | 15 | 16 | | | | |
| KEY B, LIGHT GRAY | 34986-1928 | B-LG | GC-5 | PLR | M | | | 2 | 3 | 4 | 5 | 6 | 7 | | | 10 | 11 | 12 | 13 | 14 | 15 | SALEABLE | | 349531610 | NOT AVAILABLE | |
| KEY B, LIGHT GRAY | 34986-1929 | B-LG | GC-5 | PLR | M | | | | | | | 6 | 7 | | | | | | | | | SALEABLE | | 349531610 | NOT AVAILABLE | |
| KEY A, BLACK | 34986-1930 | A-BLK | GC-5 | PLR | M | | | 2 | | | 5 | 6 | | | | 10 | 11 | 12 | 13 | | 15 | SALEABLE | | 349531610 | NOT AVAILABLE | |
| KEY A, BLACK | 34986-1931 | A-BLK | GC-5 | PLR | M | | | 2 | | 4 | 5 | | | | | 10 | | 12 | 13 | | | SALEABLE | | 349531610 | NOT AVAILABLE | |
| KEY A, BLACK | 34986-1932 | A-BLK | GC-5 | PLR | M | | | 2 | | 4 | | | | | | | | 12 | 13 | | | SALEABLE | | 349531610 | NOT AVAILABLE | |
| KEY A, BLACK | 34986-1933 | A-BLK | GC-5 | PLR | M | | | 2 | | | | 6 | | | | | | 12 | 13 | 14 | 15 | SALEABLE | | 349531610 | NOT AVAILABLE | |
| KEY A, BLACK | 34986-1934 | A-BLK | GC-5 | PLR | M | | | | | | 5 | 6 | 7 | | | 10 | 11 | 12 | 13 | 14 | 15 | SALEABLE | | 349531610 | NOT AVAILABLE | |
| KEY A, BLACK | 34986-1935 | A-BLK | GC-5 | PLR | M | | | | 3 | 4 | | 6 | | | | 10 | 11 | 12 | 13 | 14 | 15 | SALEABLE | | 349531610 | NOT AVAILABLE | |
| KEY A, BLACK | 34986-1936 | A-BLK | GC-5 | PLR | M | | | 2 | | | 5 | | | | | | 11 | | 13 | | 15 | SALEABLE | | 349531610 | NOT AVAILABLE | |
| KEY A, BLACK | 34986-1937 | A-BLK | GC-5 | PLR | M | | | 2 | | | 5 | | | | | 10 | 11 | | 13 | | 15 | SALEABLE | | 349531610 | NOT AVAILABLE | |
| KEY A, BLACK | 34986-1938 | A-BLK | GC-5 | PLR | M | | | 2 | | | | 6 | | | | 10 | 11 | 12 | 13 | 14 | 15 | SALEABLE | | 349531610 | NOT AVAILABLE | |
| KEY A, BLACK | 34986-1939 | A-BLK | GC-5 | PLR | M | | | | | 4 | 5 | | | | | | | 12 | | | 15 | SALEABLE | | 349531610 | NOT AVAILABLE | |
| KEY A, BLACK | 34986-1940 | A-BLK | GC-5 | PLR | M | | | | 3 | 4 | | | | 7 | | | | | | 14 | 15 | SALEABLE | | 349531610 | NOT AVAILABLE | |
| KEY A, BLACK | 34986-1941 | A-BLK | GC-5 | PLR | M | | | | | | | | | | | | | | | | 15 | SALEABLE | | 349531610 | NOT AVAILABLE | |
| KEY A, BLACK | 34986-1942 | A-BLK | GC-5 | PLR | M | | | 2 | 3 | | 5 | | 7 | | | 10 | 11 | 12 | 13 | 14 | 15 | SALEABLE | | 349531610 | NOT AVAILABLE | |
| KEY A, BLACK | 34986-1943 | A-BLK | GC-5 | PLR | M | | | | | | | 6 | 7 | | | | 11 | | 13 | | | SALEABLE | | 349531610 | NOT AVAILABLE | |
| KEY B, LIGHT GRAY | 34986-1944 | B-LG | GC-5 | PLR | M | | | | | 4 | | | | | | | | | 13 | | | SALEABLE | | 349531610 | NOT AVAILABLE | |
| KEY A, BLACK | 34986-1945 | A-BLK | GC-5 | PLR | M | | | | 3 | 4 | | | | | | 10 | 11 | 12 | | | | SALEABLE | | 349531610 | NOT AVAILABLE | |
| KEY A, BLACK | 34986-1946 | A-BLK | GC-5 | PLR | M | | | | | | | 6 | | | | | | 11 | | 13 | | SALEABLE | | 349531610 | NOT AVAILABLE | |
| KEY A, BLACK | 34986-1947 | A-BLK | GC-5 | PLR | M | | | 2 | 3 | | | 6 | | | | | 11 | | 13 | | | SALEABLE | | 349531610 | NOT AVAILABLE | |
| KEY A, BLACK | 34986-1948 | A-BLK | GC-5 | PLR | M | | | | | 4 | | | | | | | | | | | 14 | SALEABLE | | 349531610 | NOT AVAILABLE | |
| KEY B, LIGHT GRAY | 34986-1949 | B-LG | GC-5 | PLR | M | | | | | 4 | | | | | | | | | | | | SALEABLE | | 349531610 | NOT AVAILABLE | |
| KEY A, BLACK | 34986-1950 | A-BLK | GC-5 | PLR | M | | | | | | | | | 7 | | | | 13 | 14 | 15 | | SALEABLE | | 349531610 | NOT AVAILABLE | |
| KEY A, BLACK | 34986-1951 | A-BLK | GC-5 | PLR | M | | | | | | | | | 7 | | | | | 13 | 14 | 15 | SALEABLE | | 349531610 | NOT AVAILABLE | |
| KEY A, BLACK | 34986-1952 | A-BLK | GC-5 | PLR | M | | | | | | | | | | | 10 | | | 13 | 14 | | SALEABLE | | 349531610 | NOT AVAILABLE | |
| KEY A, BLACK | 34986-1953 | A-BLK | GC-5 | PLR | M | | | | | | | | | 7 | | | | | 13 | | 15 | SALEABLE | | 349531610 | NOT AVAILABLE | |
| KEY H, YELLOW, WITH S.B. | 34986-1954 | H-YW | GC-SB1 | PLR | M | 2 | | 2 | 3 | SB | SB | | | | | | | SB | SB | | 15 | SALEABLE | | 349531610 | NOT AVAILABLE | |
| KEY A, BLACK | 34986-1955 | A-BLK | GC-5 | PLR | M | | | | | | | | | | | | | | 13 | | | SALEABLE | | 349531610 | NOT AVAILABLE | |
| KEY A, BLACK | 34986-1956 | A-BLK | GC-5 | PLR | M | | | | | | | 6 | | | | | | 12 | 13 | 14 | 15 | SALEABLE | | 349531610 | NOT AVAILABLE | |
| KEY A, BLACK | 34986-1957 | A-BLK | GC-5 | PLR | M | | | | | | | | | 7 | | | | | 13 | | 15 | SALEABLE | | 349531610 | NOT AVAILABLE | |
| KEY A, BLACK | 34986-1958 | A-BLK | GC-5 | PLR | M | | | | | | | | | | 10 | | | | 13 | | | SALEABLE | | 349531610 | NOT AVAILABLE | |
| KEY C, DARK GRAY | 34986-1959 | C-DG | GC-5 | PLR | M | | | | | | | | | | | | | | | | | SALEABLE | | 349531610 | NOT AVAILABLE | |
| KEY D, STONE GRAY | 34986-1960 | D-SG | GC-5 | PLR | M | | | | | | | | | | | | | | | | | SALEABLE | | 349531610 | NOT AVAILABLE | |
| KEY A, YELLOW | 34986-1961 | A-YW | GC-5 | PLR | M | | | 2 | | | | | | | | | | | | | 15 | SALEABLE | | 349531610 | NOT AVAILABLE | |
| KEY F, LIGHT GRAY | 34986-1962 | F-LG | GC-5 | PLR | M | | | | | 4 | 5 | 6 | 7 | | | 10 | 11 | 12 | 13 | 14 | 15 | SALEABLE | | 349531610 | NOT AVAILABLE | |
| KEY F, LIGHT GRAY, WITH S.B. | 34986-1963 | F-LG | GC-SB1 | PLR | M | 2 | | 2 | 3 | SB | SB | 6 | 7 | | | | | SB | SB | 14 | 15 | SALEABLE | | 349531610 | NOT AVAILABLE | |
| KEY F, LIGHT GRAY, WITH S.B. | 34986-1964 | F-LG | GC-SB1 | PLR | M | 2 | | | | SB | SB | 6 | 7 | | | | | SB | SB | 14 | 15 | SALEABLE | | 349531610 | NOT AVAILABLE | |
| KEY A, BLACK | 34986-1965 | A-BLK | GC-5 | PLR | M | | | | 3 | | 5 | | | | | 10 | 11 | 12 | | | | SALEABLE | | 349531610 | NOT AVAILABLE | |
| KEY A, BLACK | 34986-1966 | A-BLK | GC-5 | PLR | M | | | 2 | 3 | 4 | 5 | | | | | 10 | 11 | 12 | 13 | | 15 | SALEABLE | | 349531610 | NOT AVAILABLE | |
| KEY A, BLACK | 34986-1967 | A-BLK | GC-5 | PLR | M | | | 2 | 3 | | | 6 | | | | | 11 | | | | | SALEABLE | | 349531610 | NOT AVAILABLE | |
| KEY B, LIGHT GRAY | 34986-1968 | B-LG | GC-5 | PLR | M | | | | | 4 | | 6 | | | | | | | 13 | | | SALEABLE | | 349531610 | NOT AVAILABLE | |
| KEY A, BLACK | 34986-1969 | A-BLK | GC-5 | PLR | M | | | 2 | 3 | | 5 | 6 | | | | | 11 | | | | 15 | SALEABLE | | 349531610 | NOT AVAILABLE | |
| KEY A, BLACK | 34986-1970 | A-BLK | GC-5 | PLR | M | | | 2 | | | 5 | 6 | | | | | 11 | | | | 15 | SALEABLE | | 349531610 | NOT AVAILABLE | |
| KEY A, BLACK | 34986-1971 | A-BLK | GC-5 | PLR | M | | | 2 | 3 | 4 | | | | | | 10 | 11 | 12 | | | | SALEABLE | | 349531610 | NOT AVAILABLE | |
| KEY A, BLACK | 34986-1972 | A-BLK | GC-5 | PLR | M | | | | | | | | | | | 10 | | | | | 15 | SALEABLE | | 349531610 | NOT AVAILABLE | |
| KEY A, BLACK | 34986-1973 | A-BLK | GC-5 | PLR | M | | | | | | | | | | | 10 | 11 | 12 | 13 | 14 | 15 | SALEABLE | | 349531610 | NOT AVAILABLE | |
| KEY A, BLACK | 34986-1974 | A-BLK | GC-5 | PLR | M | | | 2 | | | | | | | | 10 | 11 | 12 | 13 | 14 | 15 | SALEABLE | | 349531610 | NOT AVAILABLE | |
| KEY E, BLACK | 34986-1975 | E-BLK | GC-5 | PLR | M | | | 2 | 3 | 4 | 5 | 6 | 7 | | | 10 | 11 | 12 | 13 | 14 | 15 | SALEABLE | | 349531610 | NOT AVAILABLE | |
| KEY A, BLACK | 34986-1976 | A-BLK | GC-5 | PLR | M | | | 2 | 3 | | | 6 | 7 | | | | | 10 | 11 | 12 | 13 | 14 | SALEABLE | | 349531610 | NOT AVAILABLE |
| KEY A, BLACK | 34986-1977 | A-BLK | GC-5 | PLR | M | | | | | | | | | | | 10 | 11 | | | | | SALEABLE | | 349531610 | NOT AVAILABLE | |
| KEY A, BLACK | 34986-1978 | A-BLK | GC-5 | PLR | M | | | 2 | | | | | | | | | | 12 | 13 | 14 | | SALEABLE | | 349531610 | NOT AVAILABLE | |
| KEY A, BLACK | 34986-1979 | A-BLK | GC-5 | PLR | M | | | 2 | 3 | | 5 | 6 | | | | | 11 | 12 | 13 | | 15 | SALEABLE | | 349531610 | NOT AVAILABLE | |
| KEY A, BLACK | 34986-1980 | A-BLK | GC-5 | PLR | M | | | | 3 | | 5 | 6 | 7 | | | 10 | 11 | 12 | 13 | 14 | 15 | SALEABLE | | 349531610 | NOT AVAILABLE | |
| KEY A, BLACK | 34986-1981 | A-BLK | GC-5 | PLR | M | | | 2 | | | 5 | 6 | | | | | | 12 | 13 | 14 | | SALEABLE | | 349531610 | NOT AVAILABLE | |
| KEY A, BLACK | 34986-1982 | A-BLK | GC-5 | PLR | M | | | 2 | | | 5 | 6 | 7 | | | 10 | 11 | 12 | 13 | 14 | | SALEABLE | | 349531610 | NOT AVAILABLE | |
| KEY A, BLACK | 34986-1983 | A-BLK | GC-5 | PLR | M | | | | | | 5 | 6 | 7 | | | | | | | | 15 | SALEABLE | | 349531610 | NOT AVAILABLE | |
| KEY A, BLACK | 34986-1984 | A-BLK | GC-5 | PLR | M | | | | 3 | | 5 | 6 | 7 | | | | | | | | 15 | SALEABLE | | 349531610 | NOT AVAILABLE | |
| KEY A, BLACK | 34986-1985 | A-BLK | GC-5 | PLR | M | | | | 3 | | 5 | 6 | 7 | | | 10 | 11 | | | | 15 | SALEABLE | | 349531610 | NOT AVAILABLE | |
| KEY A, BLACK | 34986-1986 | A-BLK | GC-5 | PLR | M | | | | | | 5 | 6 | 7 | | | 10 | 11 | 12 | 13 | 14 | | SALEABLE | | 349531610 | NOT AVAILABLE | |
| KEY A, BLACK | 34986-1987 | A-BLK | GC-5 | PLR | M | | | | | | 5 | | | | | 10 | 11 | 12 | | | | SALEABLE | | 349531610 | NOT AVAILABLE | |
| KEY A, BLACK | 34986-1988 | A-BLK | GC-5 | PLR | M | | | 2 | | 4 | 5 | | | | | 10 | 11 | 12 | 13 | 14 | 15 | SALEABLE | | 349531610 | NOT AVAILABLE | |
| KEY A, BLACK | 34986-1989 | A-BLK | GC-5 | PLR | M | | | 2 | | | | 6 | | | | | | | | | | SALEABLE | | 349531610 | NOT AVAILABLE | |
| KEY A, BLACK | 34986-1990 | A-BLK | GC-5 | PLR | M | | | | | | 5 | 6 | 7 | | | 10 | 11 | 12 | 13 | | | SALEABLE | | 349531610 | NOT AVAILABLE | |
| KEY A, BLACK | 34986-1991 | A-BLK | GC-5 | PLR | M | | | 2 | 3 | | 5 | 6 | 7 | | | 10 | 11 | 12 | 13 | | 15 | SALEABLE | | 349531610 | NOT AVAILABLE | |
| KEY A, BLACK | 34986-1992 | A-BLK | GC-5 | PLR | M | | | | 3 | 4 | 5 | | | | | | 11 | 12 | | 14 | 15 | SALEABLE | | 349531610 | NOT AVAILABLE | |
| KEY A, BLACK | 34986-1993 | A-BLK | GC-5 | PLR | M | | | 2 | 3 | 4 | 5 | 6 | 7 | | | 10 | 11 | | 13 | 14 | 15 | SALEABLE | | 349531610 | NOT AVAILABLE | |
| KEY A, BLACK | 34986-1994 | A-BLK | GC-5 | PLR | M | | | 2 | | | | | 7 | | | 10 | 11 | | 13 | | | SALEABLE | | 349531610 | NOT AVAILABLE | |
| KEY A, BLACK | 34986-1995 | A-BLK | GC-5 | PLR | M | | | 2 | 3 | 4 | 5 | | | | | | | | | 14 | 15 | SALEABLE | | 349531610 | NOT AVAILABLE | |
| KEY A, BLACK | 34986-1996 | A-BLK | GC-5 | PLR | M | | | | | | | 6 | | | | 10 | 11 | 12 | | 14 | 15 | SALEABLE | | 349531610 | NOT AVAILABLE | |
| KEY A, BLACK | 34986-1997 | A-BLK | GC-5 | PLR | M | | | | 3 | | 6 | | | | | 10 | 11 | 12 | 13 | 14 | 15 | SALEABLE | | 349531610 | NOT AVAILABLE | |
| KEY A, BLACK | 34986-1998 | A-BLK | GC-5 | PLR | M | | | 2 | 3 | 4 | 5 | | | | | | | | | | | | | | | |

MX150 16 WAY HYBRID BLADE SEALED ASSEMBLY MAT SEAL (2.8mm CAVITIES OPEN)
BOM AND PIN OUT SHEET

| ASSEMBLY DESCRIPTION | ASSEMBLY PART NUMBER | COMPONENT | | | | | BLOCKED TERMINALS | | | | | | | | | | | | | | | | STATUS | COMMENTS | OPTIONAL ATTACHMENTS SOLD SEPARATELY | |
|------------------------------|----------------------|---|-------------|-------|----------|--------|--|---|---|---|----|----|---|---|---|----|----|----|----|----|----|----|------------|----------|--------------------------------------|------------------------|
| | | THE PRESENCE OF AN ABBREVIATION INDICATES THE PRESENCE OF THAT COMPONENT. | | | | | CAVITY WITH A NUMBER INDICATES BLOCKED TERMINAL POSITION CAVITY WITHOUT A NUMBER INDICATES OPEN TERMINAL POSITION | | | | | | | | | | | | | | | | | | BACKSHELL WITH RIBS | BACKSHELL WITHOUT RIBS |
| | | HOUSING KEY/COLOR | GROMMET CAP | PLR | MAT SEAL | SB QTY | 1 | 2 | 3 | 4 | 5 | 6 | 7 | 8 | 9 | 10 | 11 | 12 | 13 | 14 | 15 | 16 | | | | |
| KEY A, BLACK | 34986-2108 | A-BLK | GC-5 | PLR | M | | | 2 | | | | | | | | | | 12 | 13 | 14 | 15 | | SALEABLE | | 349531610 | NOT AVAILABLE |
| KEY A, BLACK | 34986-2109 | A-BLK | GC-5 | PLR | M | | | 2 | 3 | | | | | | | | | 12 | 13 | 14 | 15 | | SALEABLE | | 349531610 | NOT AVAILABLE |
| KEY F, LIGHT GRAY, WITH S.B. | 34986-2110 | F-LG | GC-5 | PLR | M | 2 | | | | | SB | SB | | | | | | SB | SB | | 15 | | SEE NOTE 4 | | 349531610 | NOT AVAILABLE |
| KEY A, BLACK | 34986-2111 | A-BLK | GC-5 | PLR | M | | | 2 | | | | | | | | 10 | 11 | | 13 | 14 | | | SALEABLE | | 349531610 | NOT AVAILABLE |
| KEY A, BLACK | 34986-2112 | A-BLK | GC-5 | PLR | M | | | | | | | | | | | | 11 | | | 14 | 15 | | SALEABLE | | 349531610 | NOT AVAILABLE |
| KEY A, BLACK | 34986-2113 | A-BLK | GC-5 | PLR | M | | | 2 | 3 | | | | | | | | 11 | | | 14 | 15 | | SALEABLE | | 349531610 | NOT AVAILABLE |
| KEY A, BLACK | 34986-2114 | A-BLK | GC-5 | PLR | M | | | | | | | | | | | 10 | | | 13 | | | | SALEABLE | | 349531610 | NOT AVAILABLE |
| KEY A, BLACK | 34986-2115 | A-BLK | GC-5 | PLR | M | | | | | | 3 | 4 | | | | | 11 | 12 | | | | | SALEABLE | | 349531610 | NOT AVAILABLE |
| KEY A, BLACK | 34986-2116 | A-BLK | GC-5 | PLR | M | | | | | | 3 | 4 | | | | | 11 | 12 | 13 | | | | SALEABLE | | 349531610 | NOT AVAILABLE |
| KEY A, BLACK | 34986-2117 | A-BLK | GC-5 | PLR | M | | | | | | 3 | 4 | | | | | 10 | 11 | 12 | 13 | | | SALEABLE | | 349531610 | NOT AVAILABLE |
| KEY A, BLACK | 34986-2118 | A-BLK | GC-5 | PLR | M | | | 2 | 3 | | | | | | | | | | 13 | 14 | 15 | | SALEABLE | | 349531610 | NOT AVAILABLE |
| KEY A, BLACK | 34986-2119 | A-BLK | GC-5 | PLR | M | | | | | | | | | | | 10 | | | 13 | 14 | 15 | | SALEABLE | | 349531610 | NOT AVAILABLE |
| KEY A, BLACK | 34986-2120 | A-BLK | GC-5 | PLR | M | | | | | | | | | | | | | | 13 | | | | SALEABLE | | 349531610 | NOT AVAILABLE |
| KEY A, BLACK | 34986-2121 | A-BLK | GC-5 | PLR | M | | | | | | 3 | | | | | | | | 13 | 14 | 15 | | SALEABLE | | 349531610 | NOT AVAILABLE |
| KEY A, BLACK | 34986-2122 | A-BLK | GC-5 | PLR | M | | | | | | | | | | | | | | 11 | | | | SALEABLE | | 349531610 | NOT AVAILABLE |
| KEY A, BLACK | 34986-2123 | A-BLK | GC-5 | PLR | M | | | | | | | | | | | | | | 11 | | | | SALEABLE | | 349531610 | NOT AVAILABLE |
| KEY A, BLACK | 34986-2124 | A-BLK | GC-5 | PLR | M | | | 2 | 3 | | | | | | | | | | | 14 | 15 | | SALEABLE | | 349531610 | NOT AVAILABLE |
| KEY A, BLACK | 34986-2125 | A-BLK | GC-5 | PLR | M | | | 2 | | | | | | | | | | | | 14 | | | SALEABLE | | 349531610 | NOT AVAILABLE |
| KEY A, BLACK | 34986-2126 | A-BLK | GC-5 | PLR | M | | | | | | | | | | | | | | | | 15 | | SALEABLE | | 349531610 | NOT AVAILABLE |
| KEY A, BLACK | 34986-2127 | A-BLK | GC-5 | PLR | M | | | | | | 3 | | | | | | | | | | 15 | | SALEABLE | | 349531610 | NOT AVAILABLE |
| KEY A, BLACK | 34986-2128 | A-BLK | GC-5 | PLR | M | | | | | | | | | | | | | | | | | 15 | SALEABLE | | 349531610 | NOT AVAILABLE |
| KEY A, BLACK | 34986-2129 | A-BLK | GC-5 | PLR | M | | | 2 | 3 | | | | | | | | | | 12 | 13 | | | SALEABLE | | 349531610 | NOT AVAILABLE |
| KEY A, BLACK | 34986-2130 | A-BLK | GC-5 | PLR | M | | | 2 | | | | | | | | | | | 12 | 13 | 14 | 15 | SALEABLE | | 349531610 | NOT AVAILABLE |
| KEY A, BLACK | 34986-2131 | A-BLK | GC-5 | PLR | M | | | 2 | | | | | | | | | | | 11 | 12 | | | SALEABLE | | 349531610 | NOT AVAILABLE |
| KEY A, BLACK | 34986-2132 | A-BLK | GC-5 | PLR | M | | | 2 | 3 | | | | | | | | | | 11 | 12 | | | SALEABLE | | 349531610 | NOT AVAILABLE |
| KEY A, BLACK | 34986-2133 | A-BLK | GC-5 | PLR | M | | | 2 | | | | | | | | | | | | | | | SALEABLE | | 349531610 | NOT AVAILABLE |
| KEY A, BLACK | 34986-2134 | A-BLK | GC-5 | PLR | M | | | 2 | 3 | | | | | | | | | | | | | | SALEABLE | | 349531610 | NOT AVAILABLE |
| KEY A, BLACK | 34986-2135 | A-BLK | GC-5 | PLR | M | | | 2 | 3 | | | | | | | | | | | | | | SALEABLE | | 349531610 | NOT AVAILABLE |
| KEY A, BLACK | 34986-2136 | A-BLK | GC-5 | PLR | M | | | 2 | 3 | 4 | | | | | | | | | | | 14 | 15 | SALEABLE | | 349531610 | NOT AVAILABLE |
| KEY A, BLACK | 34986-2137 | A-BLK | GC-5 | PLR | M | | | 2 | 3 | | | | | | | | | | | | | | SALEABLE | | 349531610 | NOT AVAILABLE |
| KEY A, BLACK | 34986-2138 | A-BLK | GC-5 | PLR | M | | | 2 | 3 | 4 | | | | | | | | | | | | | SALEABLE | | 349531610 | NOT AVAILABLE |
| KEY A, BLACK | 34986-2139 | A-BLK | GC-5 | PLR | M | | | 2 | 3 | | | | | | | | | | | | | | SALEABLE | | 349531610 | NOT AVAILABLE |
| KEY A, BLACK | 34986-2140 | A-BLK | GC-5 | PLR | M | | | 2 | 3 | | | | | | | | | | | | | | SALEABLE | | 349531610 | NOT AVAILABLE |
| KEY A, BLACK | 34986-2141 | A-BLK | GC-5 | PLR | M | | | 2 | 3 | | | | | | | | | | | | | | SALEABLE | | 349531610 | NOT AVAILABLE |
| KEY A, BLACK | 34986-2142 | A-BLK | GC-5 | PLR | M | | | | | | | | | | | | | | | | 14 | 15 | SALEABLE | | 349531610 | NOT AVAILABLE |
| KEY A, BLACK | 34986-2143 | A-BLK | GC-5 | PLR | M | | | | | | | | | | | | | | | | | | SALEABLE | | 349531610 | NOT AVAILABLE |
| KEY A, BLACK | 34986-2144 | A-BLK | GC-5 | PLR | M | | | | | | 3 | 4 | | | | | | | | | | | SALEABLE | | 349531610 | NOT AVAILABLE |
| KEY A, BLACK | 34986-2145 | A-BLK | GC-5 | PLR | M | | | | | | | | | | | | | | | | | | SALEABLE | | 349531610 | NOT AVAILABLE |
| KEY A, BLACK | 34986-2146 | A-BLK | GC-5 | PLR | M | | | | | | | | | | | | | | | | | | SALEABLE | | 349531610 | NOT AVAILABLE |
| KEY A, BLACK | 34986-2147 | A-BLK | GC-5 | PLR | M | | | 2 | 3 | | | | | | | | | | | | | | SALEABLE | | 349531610 | NOT AVAILABLE |
| KEY A, BLACK | 34986-2148 | A-BLK | GC-5 | PLR | M | | | 2 | | | | | | | | | | | | | | | SALEABLE | | 349531610 | NOT AVAILABLE |
| KEY A, BLACK | 34986-2149 | A-BLK | GC-5 | PLR | M | | | | | | | | | | | | | | | | | | SALEABLE | | 349531610 | NOT AVAILABLE |
| KEY A, BLACK | 34986-2150 | A-BLK | GC-5 | PLR | M | | | | | | | | | | | | | | | | | | SALEABLE | | 349531610 | NOT AVAILABLE |
| KEY A, BLACK | 34986-2151 | A-BLK | GC-5 | PLR | M | | | | | | | | | | | | | | | | | | SALEABLE | | 349531610 | NOT AVAILABLE |
| KEY A, BLACK | 34986-2152 | A-BLK | GC-5 | PLR | M | | | | | | | | | | | | | | | | | | SALEABLE | | 349531610 | NOT AVAILABLE |
| KEY A, BLACK | 34986-2153 | A-BLK | GC-5 | PLR | M | | | 2 | 3 | 4 | | | | | | | | | | | | | SALEABLE | | 349531610 | NOT AVAILABLE |
| KEY A, BLACK | 34986-2154 | A-BLK | GC-5 | PLR | M | | | | | | | | | | | | | | | | | | SALEABLE | | 349531610 | NOT AVAILABLE |
| KEY A, BLACK | 34986-2155 | A-BLK | GC-5 | PLR | M | | | 2 | 3 | 4 | | | | | | | | | | | | | SALEABLE | | 349531610 | NOT AVAILABLE |
| KEY A, BLACK | 34986-2156 | A-BLK | GC-5 | PLR | M | | | | | | | | | | | | | | | | | | SALEABLE | | 349531610 | NOT AVAILABLE |
| KEY A, BLACK | 34986-2157 | A-BLK | GC-5 | PLR | M | | | | | | | | | | | | | | | | | | SALEABLE | | 349531610 | NOT AVAILABLE |
| KEY A, YELLOW | 34986-2158 | A-YW | GC-5 | PLR | M | | | | | | | | | | | | | | | | | | SALEABLE | | 349531610 | NOT AVAILABLE |
| KEY A, BLACK | 34986-2159 | A-BLK | GC-5 | PLR | M | | | | | | | | | | | | | | | | | | SALEABLE | | 349531610 | NOT AVAILABLE |
| KEY A, BLACK | 34986-2160 | A-BLK | GC-5 | PLR | M | | | 2 | | | | | | | | | | | | | | | SALEABLE | | 349531610 | NOT AVAILABLE |
| KEY A, BLACK | 34986-2161 | A-BLK | GC-5 | PLR | M | | | 2 | | | | | | | | | | | | | | | SALEABLE | | 349531610 | NOT AVAILABLE |
| KEY A, BLACK | 34986-2162 | A-BLK | GC-5 | PLR | M | | | | | | | | | | | | | | | | | | SALEABLE | | 349531610 | NOT AVAILABLE |
| KEY A, BLACK | 34986-2163 | A-BLK | GC-5 | PLR | M | | | | | | | | | | | | | | | | | | SALEABLE | | 349531610 | NOT AVAILABLE |
| KEY A, BLACK | 34986-2164 | A-BLK | GC-5 | PLR | M | | | | | | | | | | | | | | | | | | SALEABLE | | 349531610 | NOT AVAILABLE |
| KEY B, LIGHT GRAY | 34986-2165 | B-LG | GC-5 | PLR | M | | | | | | | | | | | | | | | | | | SALEABLE | | 349531610 | NOT AVAILABLE |
| KEY A, BLACK | 34986-2166 | A-BLK | GC-5 | PLR | M | | | 2 | | | | | | | | | | | | | | | SALEABLE | | 349531610 | NOT AVAILABLE |
| KEY A, BLACK | 34986-2167 | A-BLK | GC-5 | PLR | M | | | 2 | | | | | | | | | | | | | | | SALEABLE | | 349531610 | NOT AVAILABLE |
| KEY A, BLACK | 34986-2168 | A-BLK | GC-5 | PLR | M | | | 2 | | | | | | | | | | | | | | | SALEABLE | | 349531610 | NOT AVAILABLE |
| KEY A, BLACK | 34986-2169 | A-BLK | GC-5 | PLR | M | | | | | | | | | | | | | | | | | | SALEABLE | | 349531610 | NOT AVAILABLE |
| KEY A, BLACK | 34986-2170 | A-BLK | GC-5 | PLR | M | | | | | | | | | | | | | | | | | | SALEABLE | | 349531610 | NOT AVAILABLE |
| KEY A, BLACK | 34986-2171 | A-BLK | GC-5 | PLR | M | | | | | | | | | | | | | | | | | | SALEABLE | | 349531610 | NOT AVAILABLE |
| KEY A, BLACK | 34986-2172 | A-BLK | GC-5 | PLR | M | | | | | | | | | | | | | | | | | | SALEABLE | | 349531610 | NOT AVAILABLE |
| KEY A, BLACK | 34986-2173 | A-BLK | GC-5 | PLR | M | | | | | | | | | | | | | | | | | | SALEABLE | | 349531610 | NOT AVAILABLE |
| KEY A, BLACK | 34986-2174 | A-BLK | GC-5 | PLR | M | | | | | | | | | | | | | | | | | | SALEABLE | | 349531610 | NOT AVAILABLE |
| KEY A, BLACK | 34986-2175 | A-BLK | GC-5 | PLR | M | | | | | | | | | | | | | | | | | | SALEABLE | | 349531610 | NOT AVAILABLE |
| KEY F, LIGHT GRAY | 34986-2176 | F-LG | GC-5 | PLR | M | | | | | | | | | | | | | | | | | | SALEABLE | | 349531610 | NOT AVAILABLE |
| KEY F, LIGHT GRAY | 34986-2177 | F-LG | GC-5 | PLR | M | | | | | | | | | | | | | | | | | | SALEABLE | | 349531610 | NOT AVAILABLE |
| KEY F, LIGHT GRAY | 34986-2178 | F-LG | GC-5 | PLR | M | | | | | | | | | | | | | | | | | | SALEABLE | | 349531610 | NOT AVAILABLE |
| KEY F, LIGHT GRAY | 34986-2179 | F-LG | GC-5 | PLR | M | | | | | | | | | | | | | | | | | | SALEABLE | | 349531610 | NOT AVAILABLE |
| KEY F, LIGHT GRAY | 34986-2180 | F-LG | GC-5 | PLR | M | | | | | | | | | | | | | | | | | | SALEABLE | | 349531610 | NOT AVAILABLE |
| KEY F, LIGHT GRAY | 34986-2181 | F-LG | GC-5 | PLR</ | | | | | | | | | | | | | | | | | | | | | | |

**MX150 16 WAY HYBRID BLADE SEALED ASSEMBLY MAT SEAL (2.8mm CAVITIES OPEN)
BOM AND PIN OUT SHEET**

| ASSEMBLY DESCRIPTION | ASSEMBLY PART NUMBER | COMPONENT | | | | | BLOCKED TERMINALS | | | | | | | | | | | | | | | | STATUS | COMMENTS | OPTIONAL ATTACHMENTS SOLD SEPERATELY | |
|----------------------|----------------------|---|-------------|-----|----------|--------|--|---|---|---|---|---|---|---|----|----|----|----|----|----|----|----|----------|----------|--------------------------------------|------------------------|
| | | THE PRESENCE OF AN ABBREVIATION INDICATES THE PRESENCE OF THAT COMPONENT. | | | | | CAVITY WITH A NUMBER INDICATES BLOCKED TERMINAL POSITION CAVITY WITHOUT A NUMBER INDICATES OPEN TERMINAL POSITION | | | | | | | | | | | | | | | | | | BACKSHELL WITH RIBS | BACKSHELL WITHOUT RIBS |
| | | HOUSING KEY/COLOR | GROMMET CAP | PLR | MAT SEAL | SB QTY | 1 | 2 | 3 | 4 | 5 | 6 | 7 | 8 | 9 | 10 | 11 | 12 | 13 | 14 | 15 | 16 | | | | |
| KEY B, LIGHT GRAY | 34986-2288 | B-LG | GC-S | PLR | M | | | | | | | | | | | | | 12 | | 14 | | | SALEABLE | | 349531610 | NOT AVAILABLE |
| KEY A, BLACK | 34986-2289 | A-BLK | GC-S | PLR | M | | | | 4 | 5 | 6 | | | | | | | | | | | | SALEABLE | | 349531610 | NOT AVAILABLE |
| KEY B, LIGHT GRAY | 34986-2290 | B-LG | GC-S | PLR | M | | | | | | | | | | | | | 11 | | | | | SALEABLE | | 349531610 | NOT AVAILABLE |
| KEY B, LIGHT GRAY | 34986-2291 | B-LG | GC-S | PLR | M | | 2 | 3 | 4 | 5 | | 7 | | | | | | | | 14 | 15 | | SALEABLE | | 349531610 | NOT AVAILABLE |
| KEY A, BLACK | 34986-2292 | A-BLK | GC-S | PLR | M | | 2 | | | 5 | | 7 | | | 10 | 11 | 12 | | 13 | | 15 | | SALEABLE | | 349531610 | NOT AVAILABLE |
| KEY A, BLACK | 34986-2293 | A-BLK | GC-S | PLR | M | | 2 | | | 5 | | 7 | | | 10 | 11 | 12 | | | | 15 | | SALEABLE | | 349531610 | NOT AVAILABLE |
| KEY A, BLACK | 34986-2294 | A-BLK | GC-S | PLR | M | | 2 | 3 | 4 | | | | | | 10 | 11 | 12 | | | 14 | 15 | | SALEABLE | | 349531610 | NOT AVAILABLE |
| KEY A, BLACK | 34986-2295 | A-BLK | GC-S | PLR | M | | | | 4 | | | | | | 10 | 11 | 12 | | 13 | | | | SALEABLE | | 349531610 | NOT AVAILABLE |
| KEY A, BLACK | 34986-2296 | A-BLK | GC-S | PLR | M | | | | 4 | | | | | | | 11 | 12 | | 13 | | 15 | | SALEABLE | | 349531610 | NOT AVAILABLE |
| KEY A, BLACK | 34986-2297 | A-BLK | GC-S | PLR | M | | 2 | 3 | | | 6 | 7 | | | 10 | 11 | | | | 14 | 15 | | SALEABLE | | 349531610 | NOT AVAILABLE |
| KEY A, BLACK | 34986-2298 | A-BLK | GC-S | PLR | M | | 2 | | | 5 | | 7 | | | 10 | 11 | | | 13 | | 15 | | SALEABLE | | 349531610 | NOT AVAILABLE |
| KEY A, BLACK | 34986-2299 | A-BLK | GC-S | PLR | M | | | | 4 | 5 | 6 | | | | 10 | 11 | 12 | | | 14 | 15 | | SALEABLE | | 349531610 | NOT AVAILABLE |