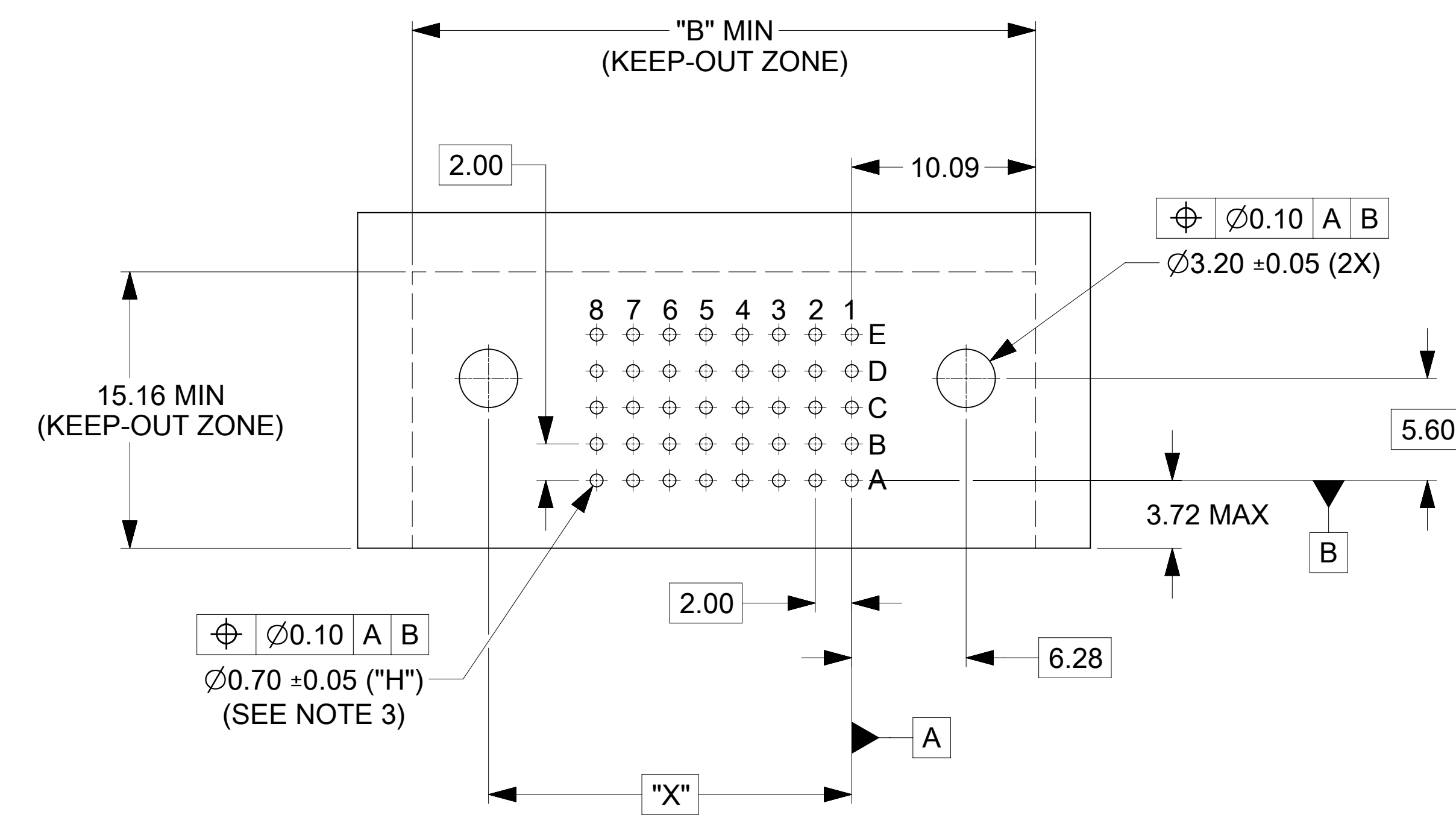
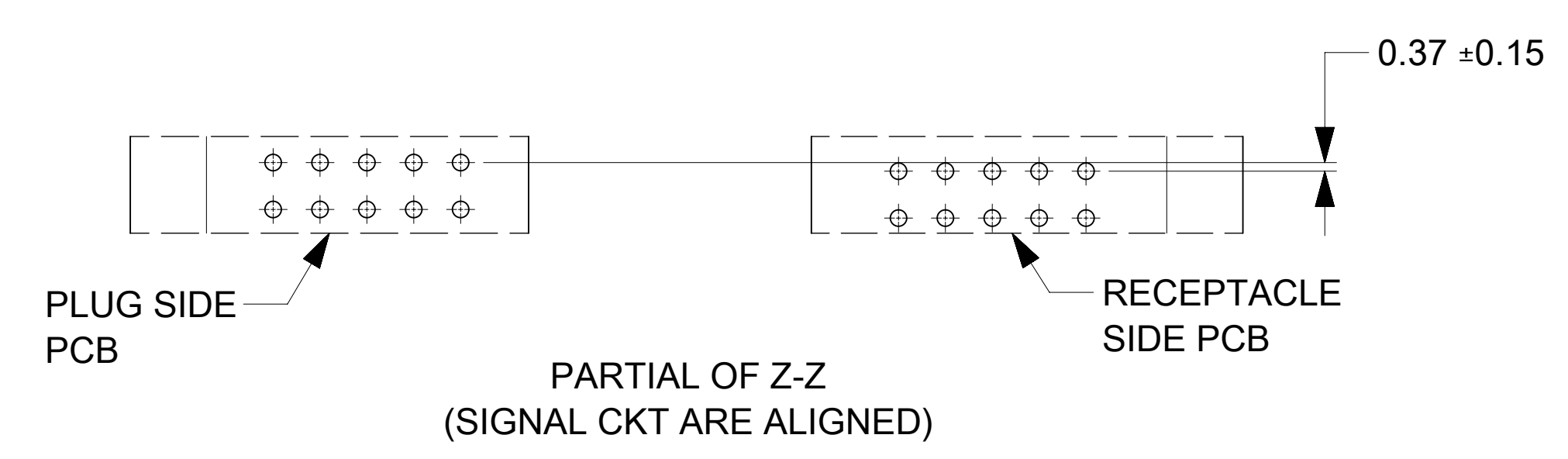
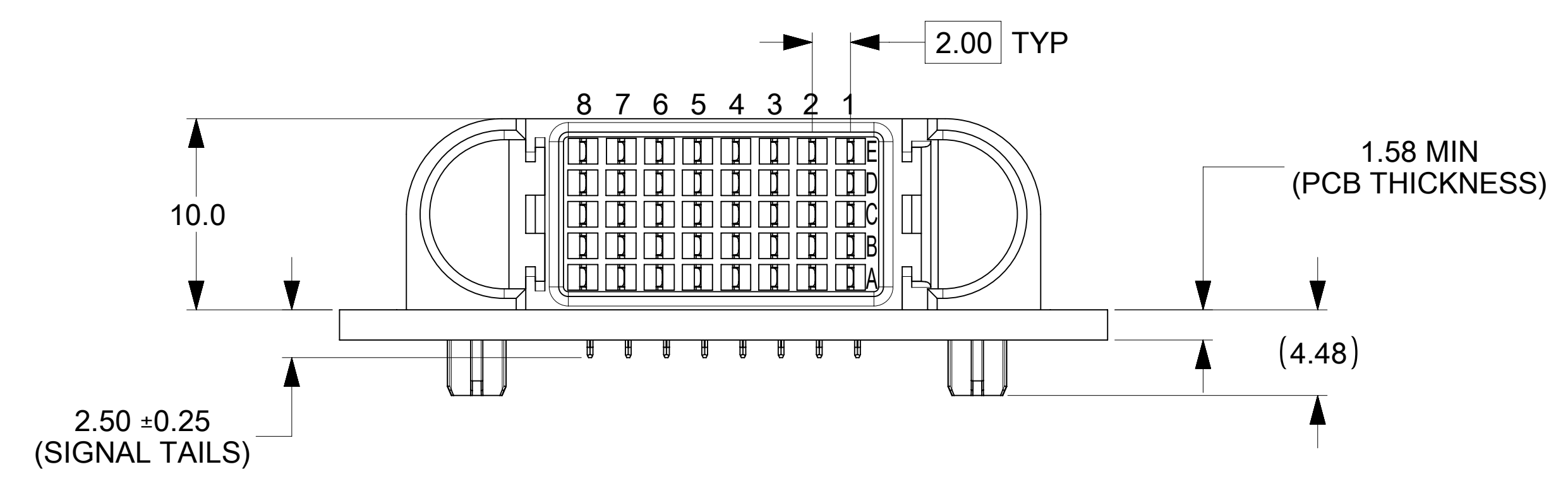


P/N : 46436-3133 (G-40S-G)

MATED PROFILE



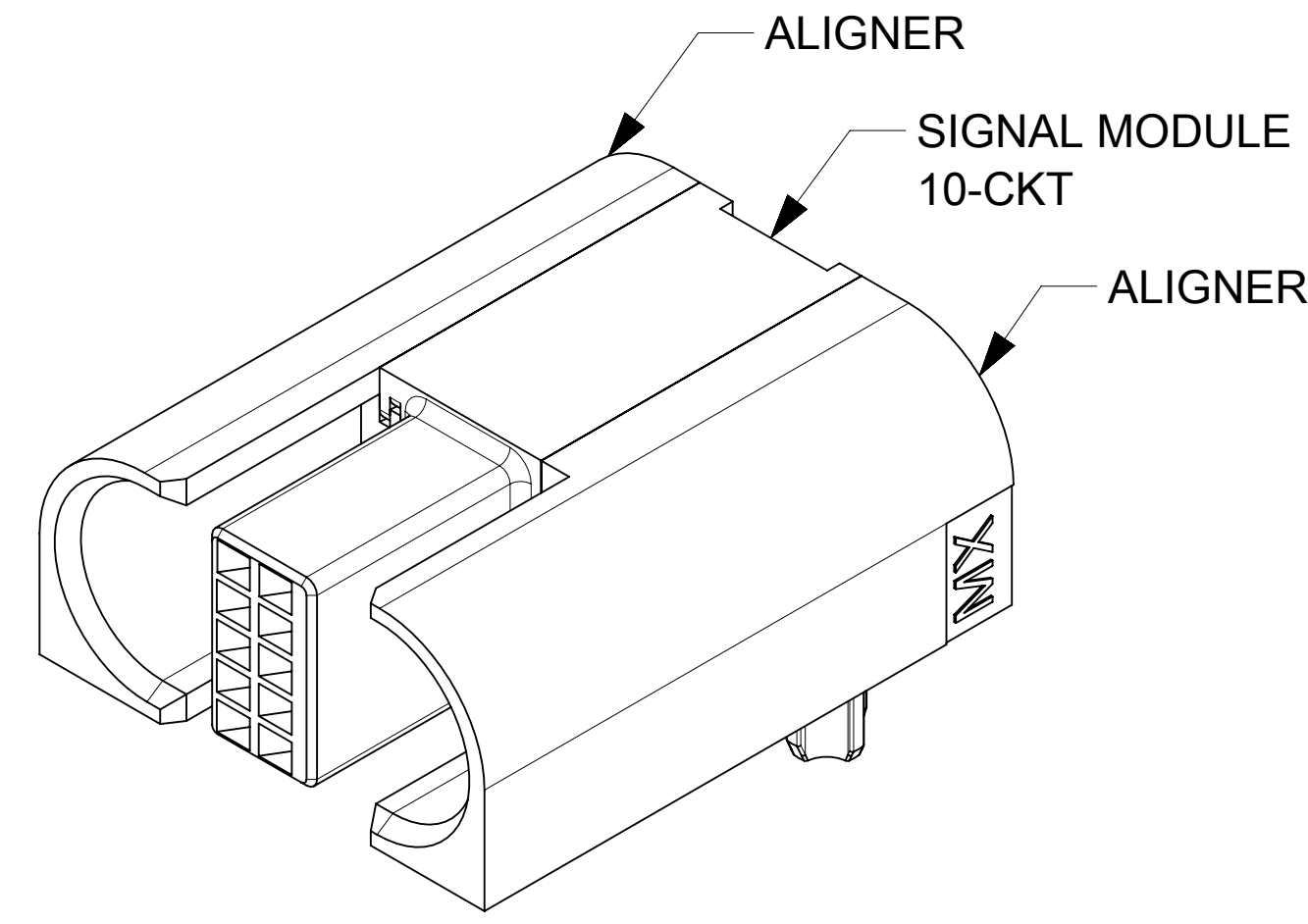
RECOMMENDED PCB LAYOUT AND KEEP-OUT ZONE FOR G-(10S TO 40S)-G

- NOTES:
- MATERIAL:
 - HOUSINGS: LCP UL94 V-0, COLOR: BLACK
 - TERMINALS: COPPER ALLOY
 - PLATING: 1.27 MICROMETER (50 MICROINCH) NICKEL OVERALL WITH 2.54 MICROMETER (100 MICROINCH) SELECTIVE TIN ON TAILS AND 0.762 MICROMETER (30 MICROINCH) SELECTIVE GOLD ON CONTACT AREA
 - PACKAGING: ASSEMBLIES TO BE TAPE & REEL PACKED PER PACKAGING SPEC: 464361001-PK
 - PLATED THRU HOLE SIZE, REFER TO PS-46436-100 FOR DETAILS
 - PRODUCT SPEC: PS-46436-100
 - APPLICATION SPEC: AS-46436-100
 - PRODUCT TO MEET RoHS REQUIREMENTS
 - ASSEMBLY MATES WITH PLUG ASSEMBLY P/N 46437-**** (SEE TABLE IN SHEET 2).
 - TAIL DESIGN: COMPLIANT PINS
 - SIGNAL CONTACTS ARE LUBRICATED
 - MOLEX LOGO TO BE LOCATED APPROXIMATELY AS SHOWN.

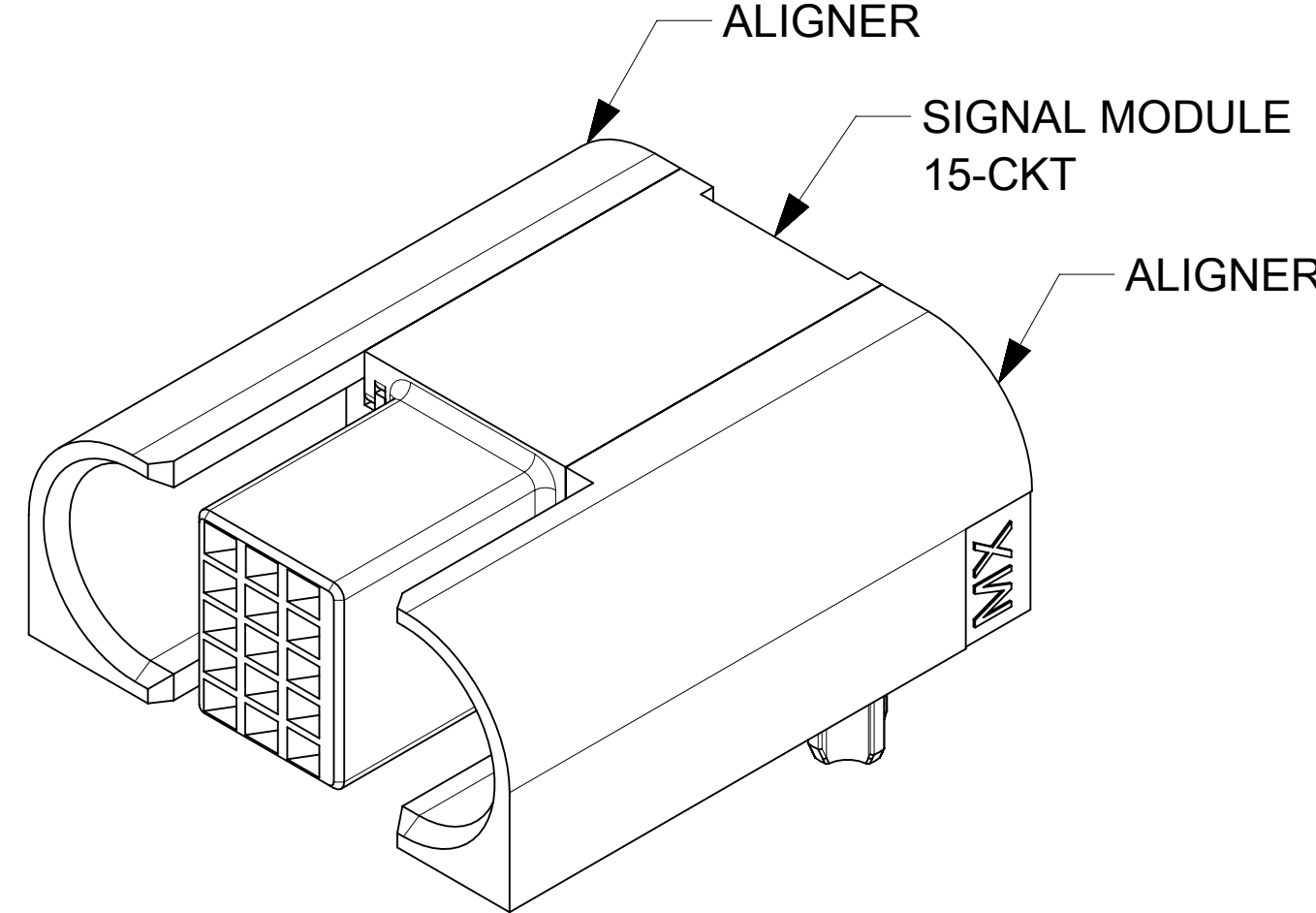
THIS DRAWING CONTAINS INFORMATION THAT IS PROPRIETARY TO MOLEX ELECTRONIC TECHNOLOGIES, LLC AND SHOULD NOT BE USED WITHOUT WRITTEN PERMISSION										
DIMENSION UNITS		SCALE		CURRENT REV DESC: INITIAL RELEASE						
mm		4:1								
GENERAL TOLERANCES (UNLESS SPECIFIED)										
ANGULAR TOL ± 0.5°										
4 PLACES ±		EC NO: 690238		2021/12/22						
3 PLACES ±		DRWN: KSUTAR		2022/01/04						
2 PLACES ± 0.25		CHK'D: GJEEVANSURES		2022/01/17						
1 PLACE ± 0.25		APPR: HTHYAGARAJ		INITIAL REVISION:						
0 PLACES ±		DRWN: KSUTAR		2021/12/22		464363127				
		APPR: HTHYAGARAJ		2022/01/17		PSD		000 A		
DRAFT WHERE APPLICABLE MUST REMAIN WITHIN DIMENSIONS			THIRD ANGLE PROJECTION		DRAWING		SERIES		SHEET NUMBER	
			D-SIZE		46436		SEE TABLE		1 OF 2	
			GENERAL MARKET							

REFER TO BELOW TABLE FOR DIMENSIONS.

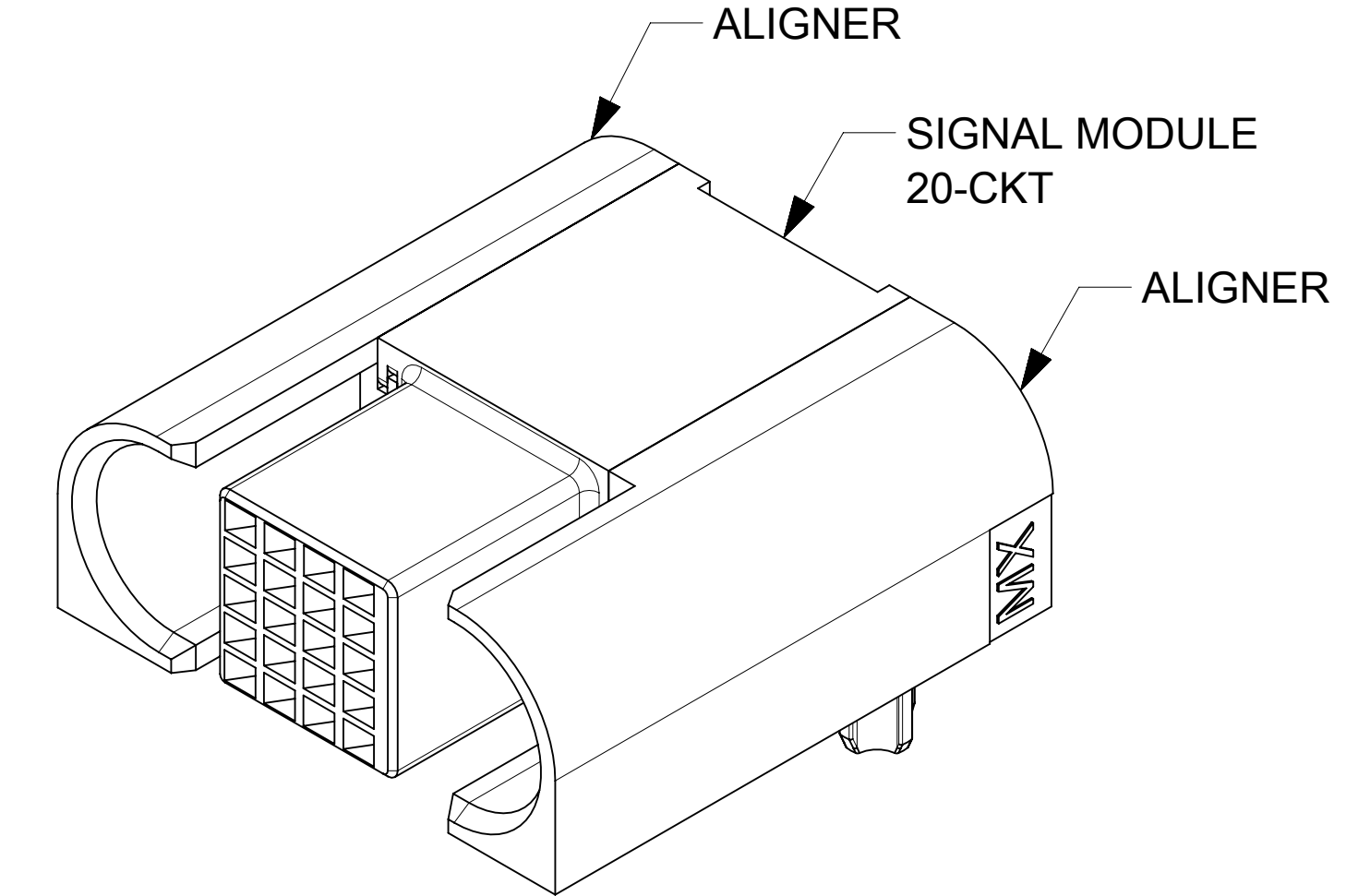
FG P/N	CONFIGURATION	SIGNAL CKT SIZE	DIM "A" (IN MM)	DIM "B" (IN MM)	DIM "X" (IN MM)	HOLES COUNT "H"	MATES WITH R/A PLUG ASSY P/N
46436-3127	G-10S-G	10	21.21	22.21	7.93	10	46437-3127
46436-3128	G-15S-G	15	23.21	24.21	9.93	15	46437-3128
46436-3129	G-20S-G	20	25.21	26.21	11.93	20	46437-3129
46436-3130	G-25S-G	25	27.21	28.21	13.93	25	46437-3130
46436-3131	G-30S-G	30	29.21	30.21	15.93	30	46437-3131
46436-3132	G-35S-G	35	31.21	32.21	17.93	35	46437-3132
46436-3133	G-40S-G	40	33.21	34.21	19.93	40	46437-3133



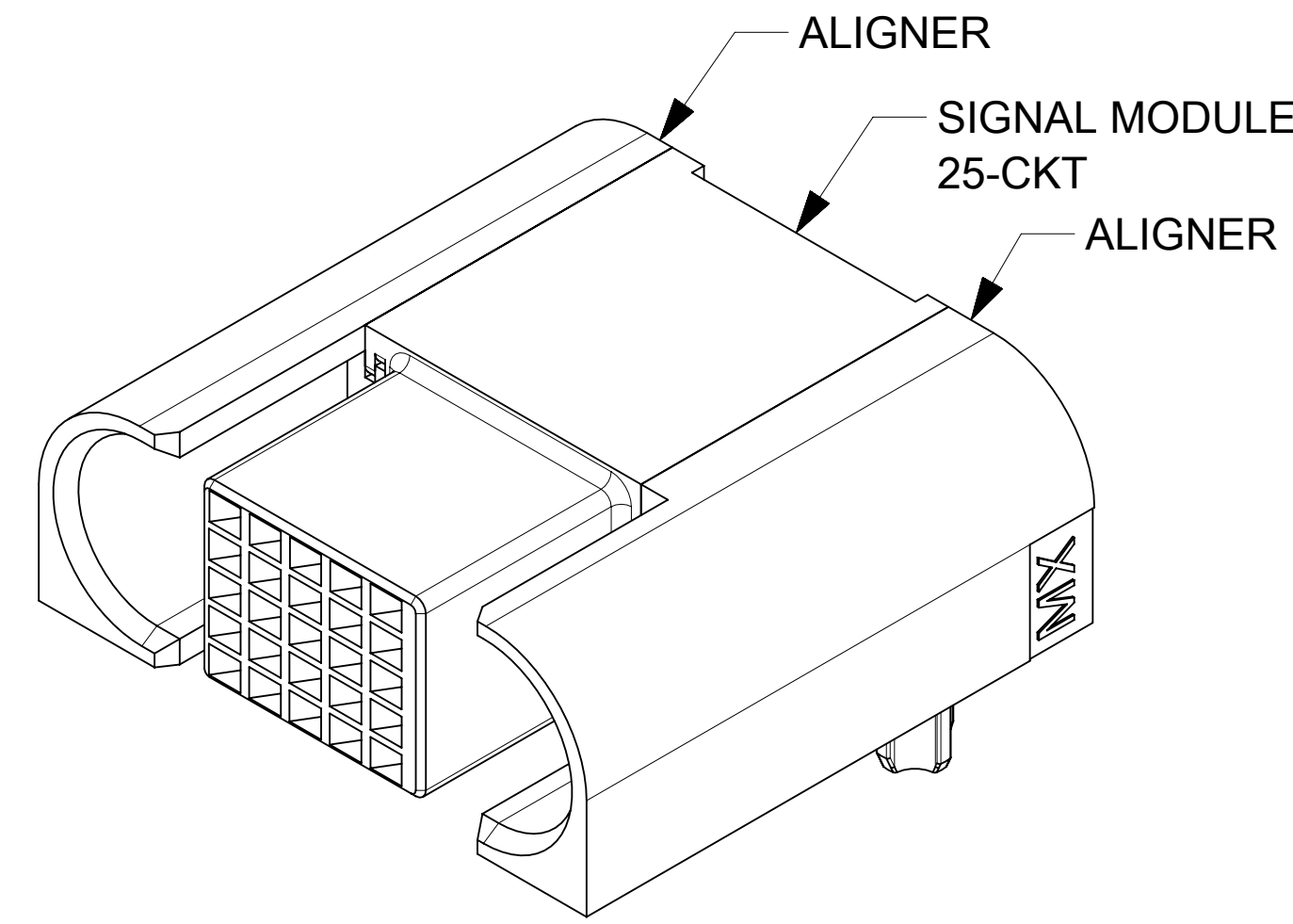
P/N : 46436-3127 (G-10S-G)



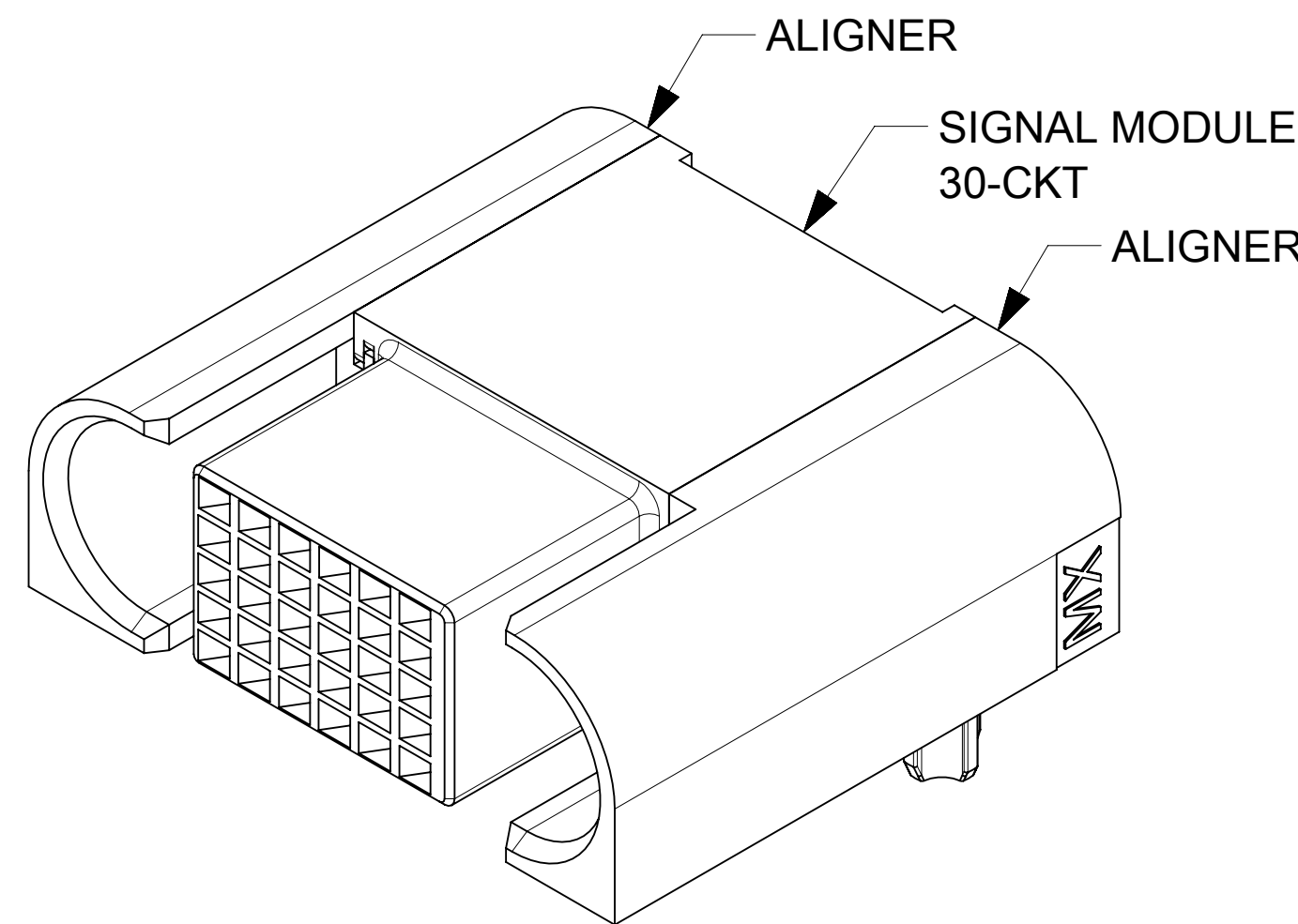
P/N : 46436-3128 (G-15S-G)



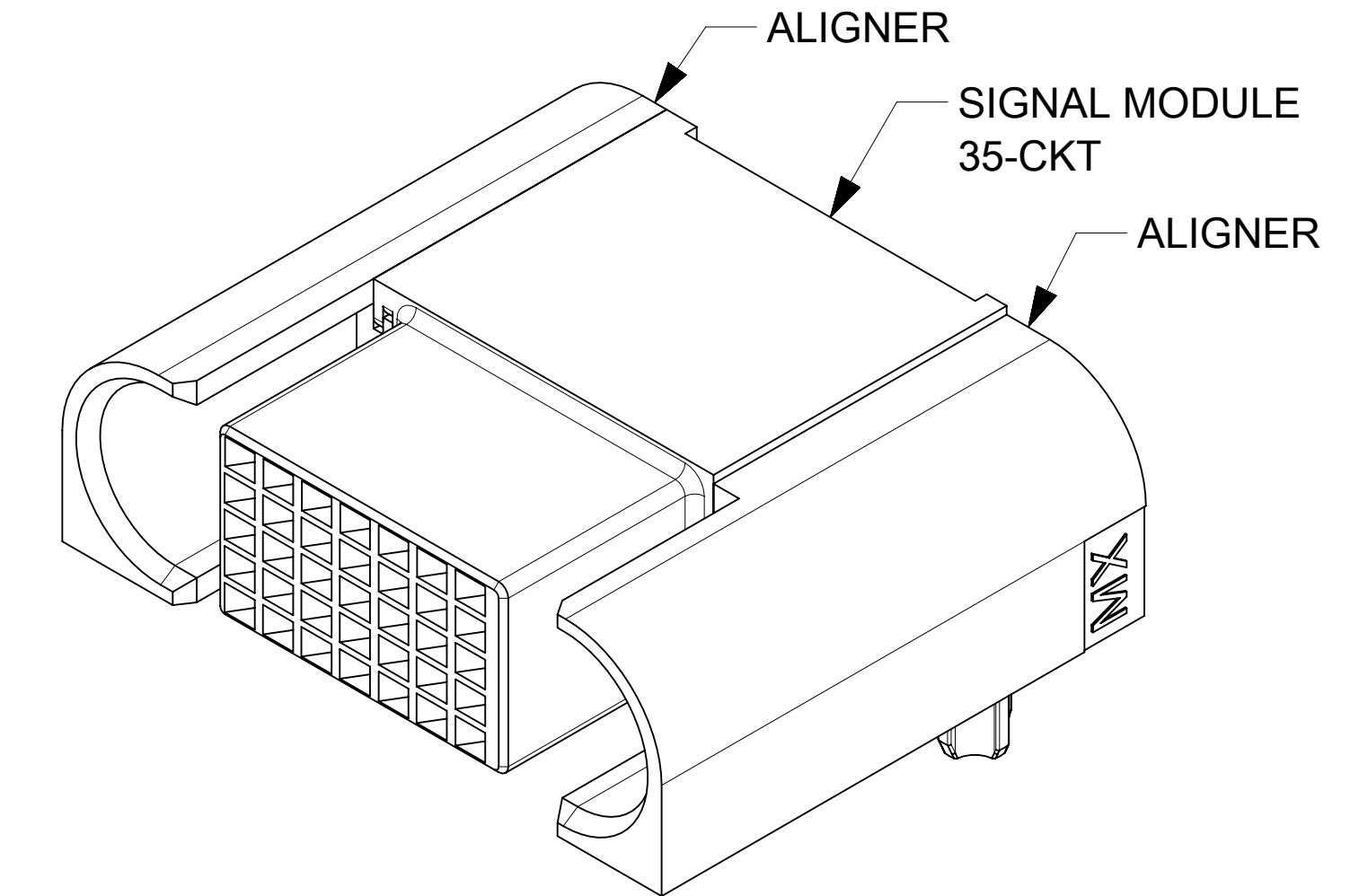
P/N : 46436-3129 (G-20S-G)



P/N : 46436-3130 (G-25S-G)



P/N : 46436-3131 (G-30S-G)



P/N : 46436-3132 (G-35S-G)

THIS DRAWING CONTAINS INFORMATION THAT IS PROPRIETARY TO MOLEX ELECTRONIC TECHNOLOGIES, LLC AND SHOULD NOT BE USED WITHOUT WRITTEN PERMISSION											
DIMENSION UNITS		SCALE		CURRENT REV DESC: INITIAL RELEASE							
mm		4:1		<p>molex</p> <p>G-*S-G R/A RECEP ASSY - TEN60 POWER FAMILY</p> <p>PRODUCT CUSTOMER DRAWING</p>							
GENERAL TOLERANCES (UNLESS SPECIFIED)											
ANGULAR TOL ± 0.5°											
4 PLACES ±		EC NO: 690238									
3 PLACES ±		DRWN: KSUTAR 2021/12/22									
2 PLACES ± 0.25		CHK'D: GJEEVANSURES 2022/01/04									
1 PLACE ± 0.25		APPR: HTHYAGARAJ 2022/01/17									
0 PLACES ±		INITIAL REVISION:									
DRAFT WHERE APPLICABLE MUST REMAIN WITHIN DIMENSIONS		THIRD ANGLE PROJECTION		DRAWING		SERIES		MATERIAL NUMBER		CUSTOMER	
		D-SIZE		46436		SEE TABLE		GENERAL MARKET		SHEET NUMBER	
										2 OF 2	