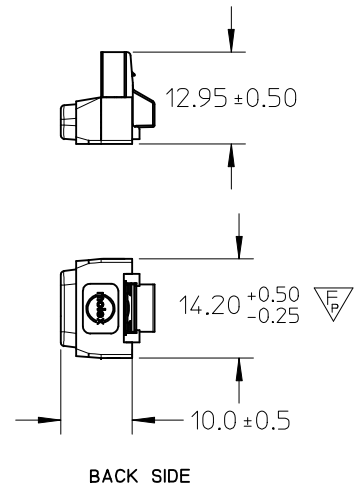
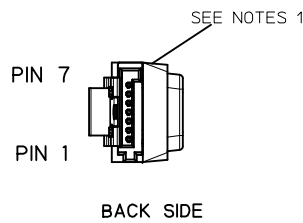
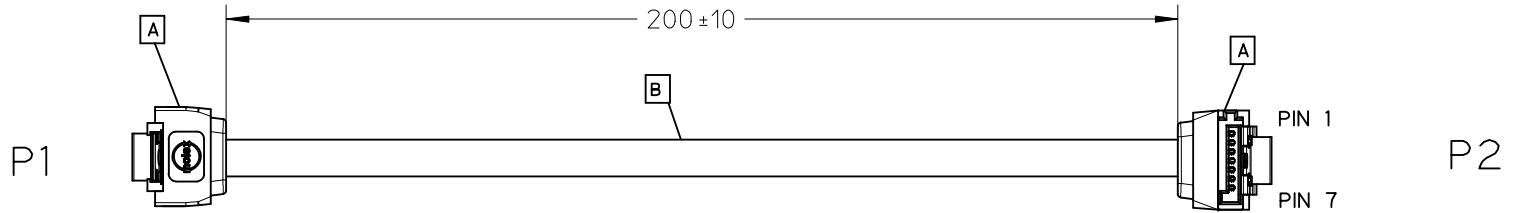
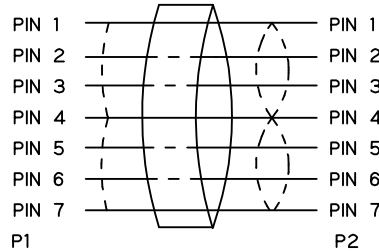


REVISIONS		DESCRIPTION	CHANGER
ECN NO	DATE	REV	
C2009-5170	2008/07/30	B	CONNECTOR CHANGED
CY10-5058	2009/07/15	C	CHANGE CABLE
CY15-5173	2014/08/12	D	CHANGE RAW CABLE



WIRE CHART



NOTES:

1. OUTER MOLD WITH BLACK PVC RESIN
INNER MOLD WITH PE RESIN
2. ELECTRICAL PERFORMANCE REFER TO S-ATA INDUSTRY STANDARD
3. THIS PRODUCT MUST MEET EU 2002/95/EC RoHS DIRECTIVE.

D	B	2PX26AWG;SHLD;PVC;RD;2.2X7.6MM;SATA 1.0	220Ref	
	A	S-ATA R/A CONN WITH LATCH		2
	ITEM	DESCRIPTION	L	QTY.

ENTER DESCRIPTION EC NO: CPG2015-1224 DRWN: XJGU001 CHKD: LUCY APPR: FNIE	QUALITY SYMBOLS FA=0 FC=0 FP=1	GENERAL TOLERANCES (UNLESS SPECIFIED)		DIMENSION STYLE MM ONLY		SCALE	DESIGN UNITS METRIC	THIRD ANGLE PROJECTION		
			mm	INCH	DRAWN BY	DATE	TITLE			
		4 PLACES	± ---	± ---	XJGU001	2014/09/09	SATA RA TO RA OPP WAY W/LATCH 200MM EUR			
		3 PLACES	± ---	± ---	CHECKED BY	DATE				
2 PLACES	± ---	± ---	XHLEI	2014/09/09						
1 PLACE	± ---	± ---	APPROVED BY	DATE						
		0 PLACE	± ---	± ---	FNIE	2014/09/10				
		ANGULAR ± ---°		MATERIAL NO. 687610286		DOCUMENT NO. SD-68761-145		SHEET NO. 1 OF 1		
		DRAFT WHERE APPLICABLE MUST REMAIN WITHIN DIMENSIONS		SIZE A/4	THIS DRAWING CONTAINS INFORMATION THAT IS PROPRIETARY TO MOLEX INCORPORATED AND SHOULD NOT BE USED WITHOUT WRITTEN PERMISSION					