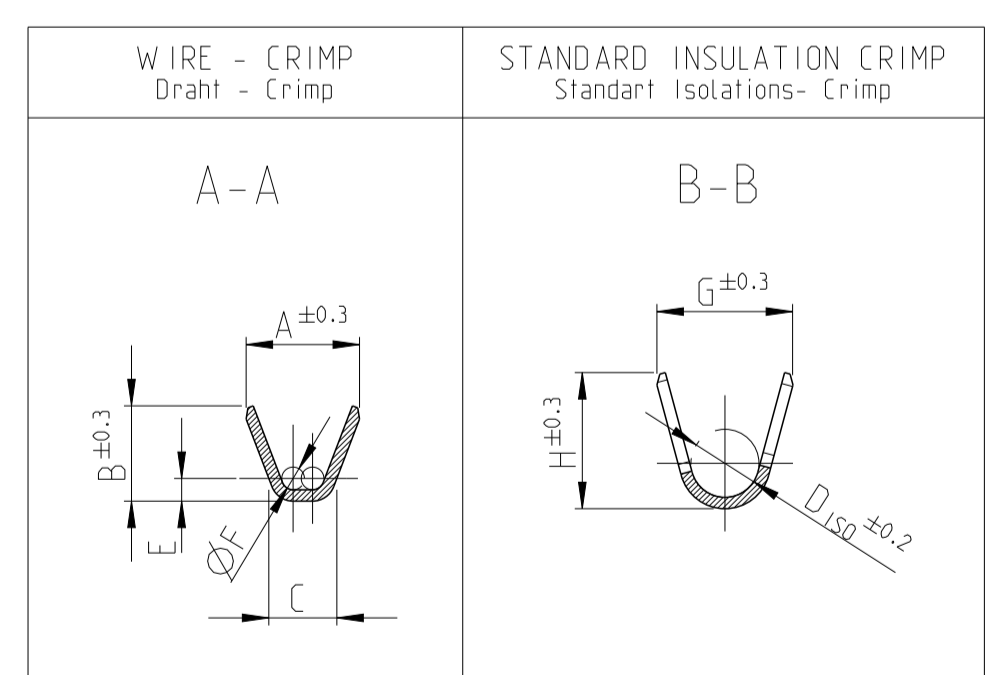
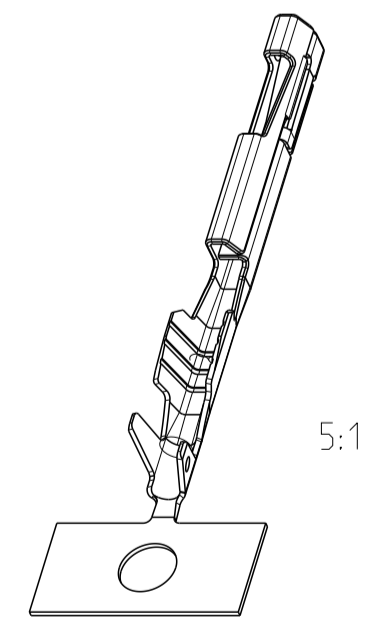
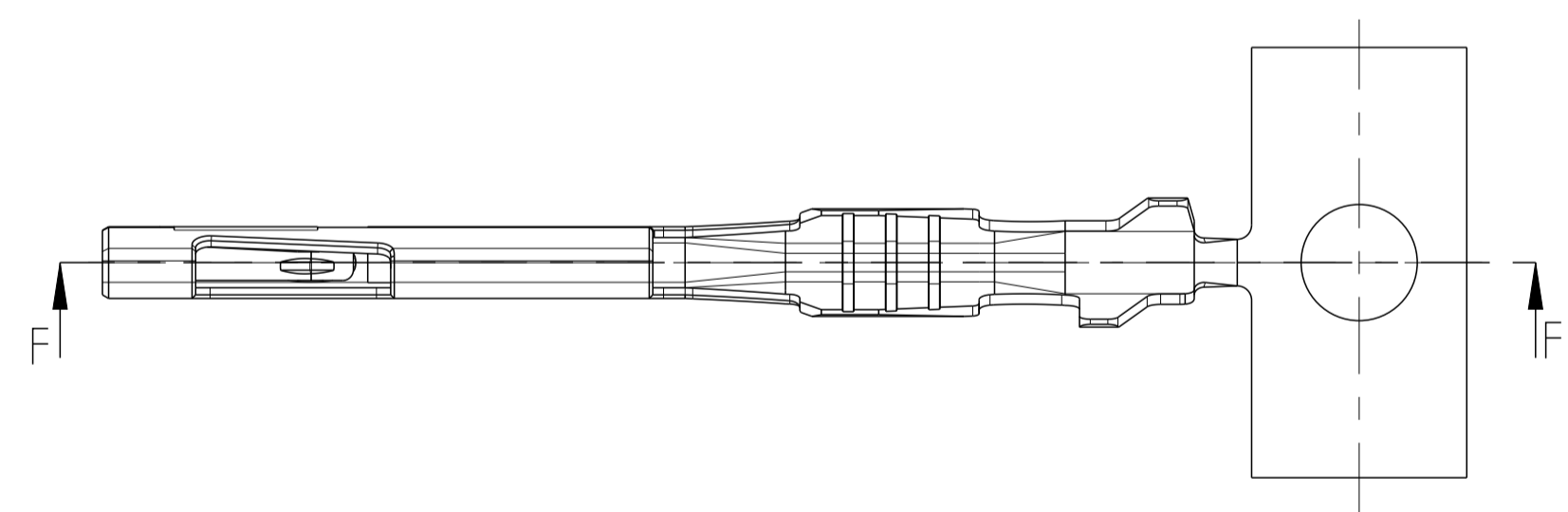
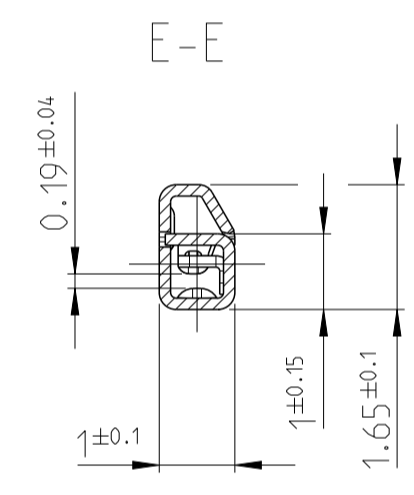
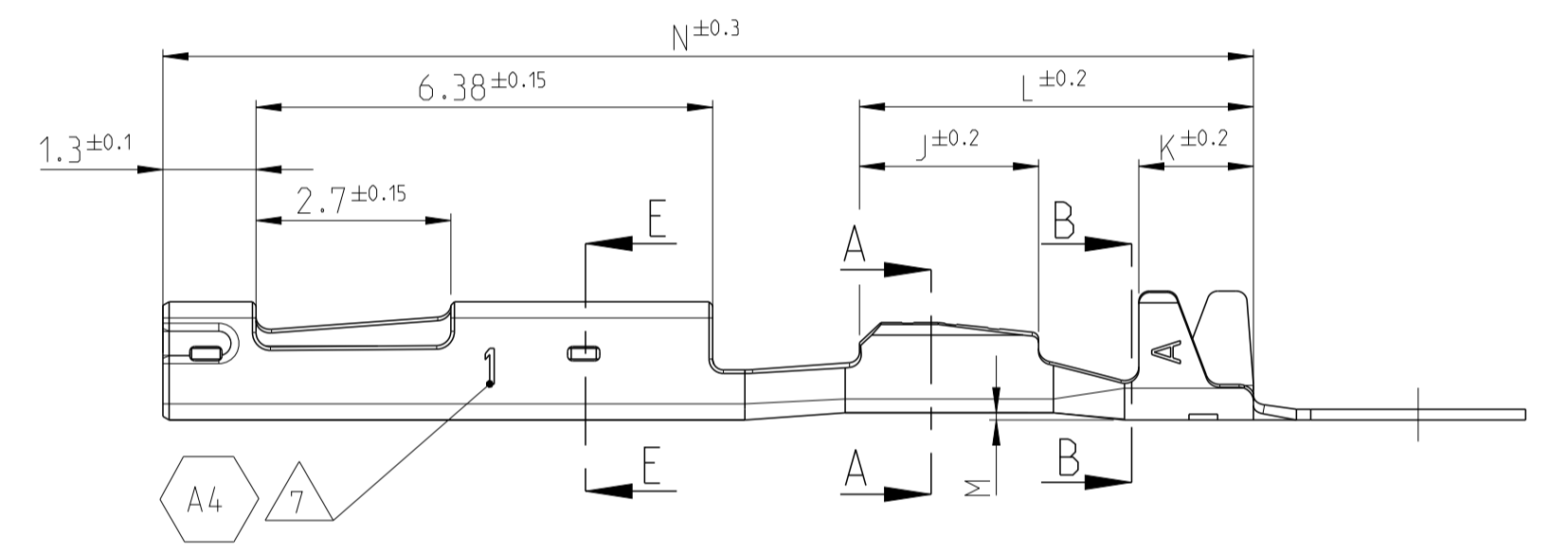
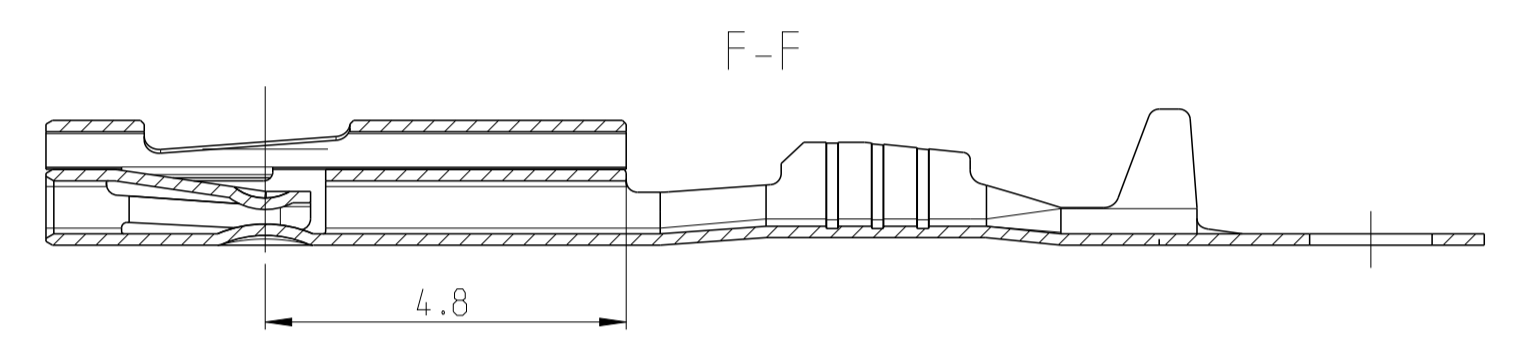
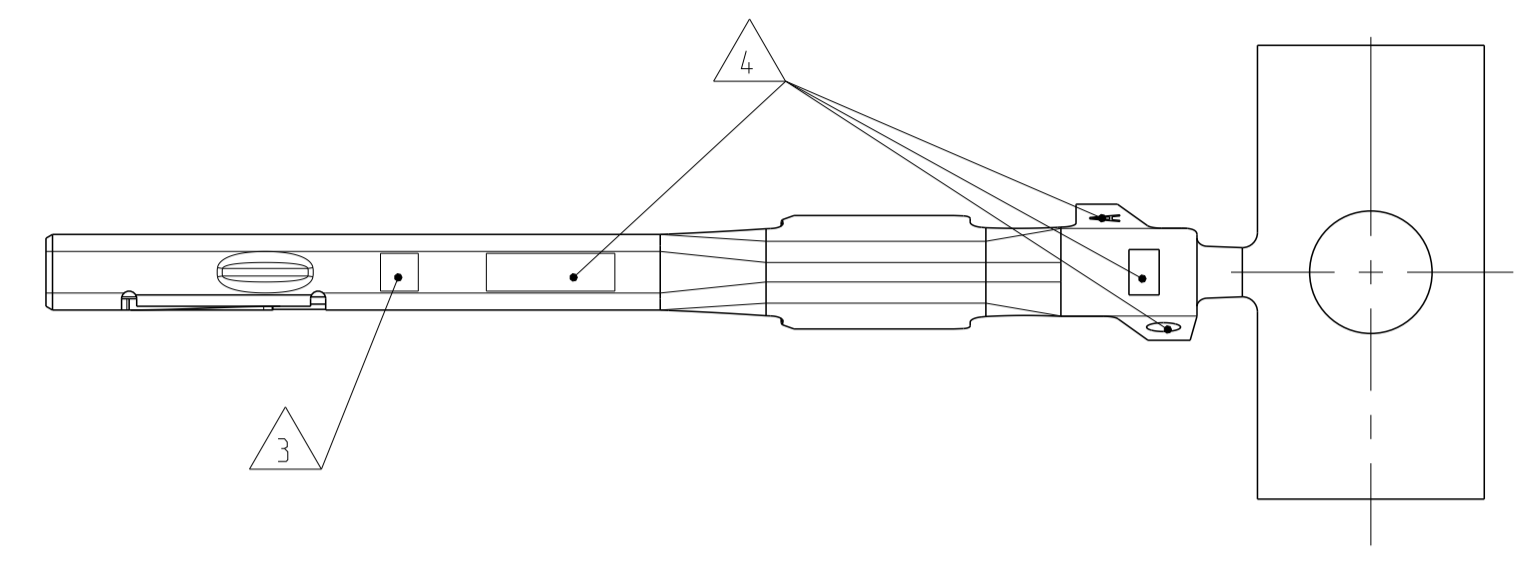


| LOC | DIST | REVISONS | DATE | DWN | APVD |
|--------------|------|---|-----------|-----|------|
| A1 | | ÄNDERUNGEN | | | |
| PROJECT NR.: | | DESCRIPTION | | | |
| | | BESCHREIBUNG | | | |
| | A3 | TABLE : MARKING CORRECTED (2ST WAS 1ST) | 21MAR2016 | SG | JF |
| | A4 | SEE ECR-20-002623 | 24FEB2020 | EH | JF |

Bemerkungen
NOTES

- 1 Fuer FLR-Leitung nach DIN 72551, Teil 6
FOR FLR-WIRE SEE DIN 72551, PART 6
 - 2 Oberflaeche
SURFACE
Kontaktfeder
-verzinkt 0.8...2.2µm Sn
min. 0.8µm Gold
MIN. 0.8µm GOLD
1.6-5µm Silber
1.6-5µm SILVER
 - 3 Markierung fuer Oberflaeche
STAMPED INDICATOR FOR PLATING
 - 4 TE Logo.
Aenderungsstand, Datumscode
REVISION STATUS, DATE CODE
 - 5 Massgebend ist der deutsche Text
ONLY THE GERMAN LANGUAGE VERSION SHALL BE BINDING
 - 6 Einzelheiten der Ausfuehrung bleiben dem Hersteller ueberlassen
DETAILS OF DESIGN ARE LEFT TO MANUFACTURER
- A4 7 Spurenuordnung in Zweispurwerkzeugen
TRACK ALLOCATION IN TWO TRACK DIES



| VERSION Ausfuehrung | ORDER- NO. STRIP FORM Bestell- Nr. Bandware | Rev. | MATERIAL | SURFACE Oberflaeche | MARKING Markierung | WIRE-SIZE RANGE DGB | DIMENSIONS Abmessungen [mm] | | | | | | | | | | | | | | |
|------------------------|--|------|----------|------------------------|-----------------------|------------------------|--------------------------------|--------|------|-----|-----|-----|-------|-------|-----|-----|-----|-----|-------|--|--|
| | | | | | | | A | B | C | E | F | G | H | D ISO | J | K | L | M | N | | |
| HIGH PERFORMANCE | 1-2177909-1 | A | CuNiSi | Sn | 2St | 0.22 - 0.35 | 1.7 | (1.5) | 1.05 | 0.3 | 0.3 | 1.8 | (1.9) | 0.9 | 2.5 | 1.6 | 5.5 | 0.1 | 15.25 | | |
| | 1-2177909-2 | A | | Au | 2G | | | | | | | | | | | | | | | | |
| | 0-2177909-3 | A | | Ag | 2H | | | | | | | | | | | | | | | | |
| STANDARD | 0-2177909-1 | A | CuSn8 | Sn | 2 | 0.13 - 0.17 | 1.5 | (1.26) | 0.9 | 0.3 | 0.3 | 1.8 | (1.8) | 0.9 | 2.5 | 1.6 | 5.5 | 0.1 | 15.25 | | |
| | 1-2177908-1 | A | Sn | 1St | | | | | | | | | | | | | | | | | |
| | 1-2177908-2 | A | Au | 1G | | | | | | | | | | | | | | | | | |
| HIGH PERFORMANCE | 1-2177908-1 | A | CuNiSi | Sn | 1St | 0.13 - 0.17 | | | | | | | | | | | | | | | |
| | 1-2177908-2 | A | | Au | 1G | | | | | | | | | | | | | | | | |
| STANDARD | 0-2177908-1 | A | CuSn8 | Sn | 1 | 0.13 - 0.17 | | | | | | | | | | | | | | | |
| | 0-2177908-3 | A | Ag | 1H | | | | | | | | | | | | | | | | | |

| VERSION Ausfuehrung | ORDER- NO. STRIP FORM Bestell- Nr. Bandware | Rev. | MATERIAL | SURFACE Oberflaeche | MARKING Markierung | WIRE-SIZE RANGE DGB | DIMENSIONS Abmessungen [mm] | | | | | | | | | | | | | | | | | |
|------------------------|--|------|----------|------------------------|-----------------------|-----------------------------------|--------------------------------|---|------------------------------------|---|---|---|---|-------|-----------------------|---|---|---|---|--------------------------------|--|--|--|--|
| | | | | 2 | 3 | 1 | A | B | C | E | F | G | H | D ISO | J | K | L | M | N | | | | | |
| | | | | | | Leiterquerschnitt mm ² | WIRE CRIMP Drahtcrimp | | ISOLATION CRIMP Isolationscrimp | | | | | | STRIP FOR Bandware | | | | | DIMENSIONS Abmessungen [mm] | | | | |

| | | |
|--|------|-------------------|
| volume Volumen | 0.01 | cm ³ |
| density Dichte | 8.9 | g/cm ³ |
| weight WITH CARRIER STRIP Gewicht mit Traegerstreifen | 0.09 | g |

DIESE ZEICHNUNG IST EIN KONTROLLIERTES DOKUMENT.
BEMASSUNGEN UND TOLERANZEN GEMAESS GPS (ISO STANDARDS).

THIS DRAWING IS A CONTROLLED DOCUMENT.
DIMENSIONING AND TOLERANCING PER GPS (ISO STANDARDS).

TOLERANCING ISO 8015
TOLERIERUNG ISO 8015

DIMENSIONS: MASSEMISSEN (mm)

TOLERANCES UNLESS OTHERWISE SPECIFIED: ALGEMEINTOLERANZ

| | |
|-------|-------|
| 0 PLC | ±0.15 |
| 1 PLC | ±0.15 |
| 2 PLC | ± |
| 3 PLC | ± |
| 4 PLC | ± |

ANGLES/WINKEL: ° ±

FINISH/OBERFLAECHE/FARBE

MATERIAL: SEE TABLE

SEE TABLE

CUSTOMER DRAWING

| | | | |
|----------|-----------|-------------|---------------|
| SIZE | CAGE CODE | DRAWING NO. | RESTRICTED TO |
| A1 | 00779 | 2208562 | FOR FUR |
| SCALE | | SHEET | OF |
| MASSSTAB | | 10:1 | 1 |
| REV | | A4 | |

NAME: MCON 050, Buchsenkontakt, clean body
MCON 050, TERMINAL, CLEAN BODY

APVD: W. Mueller 03SEP2012

PRODUCT SPEC: 108-94.34.2

APPLICATION SPEC: 114-94.151

VERARBEITUNGSSTREIF: 114-94.151

TE Connectivity