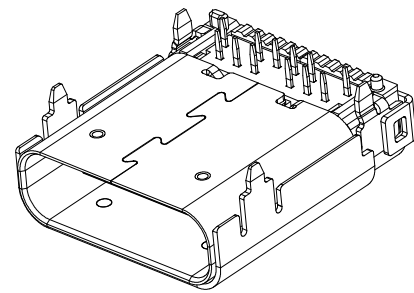
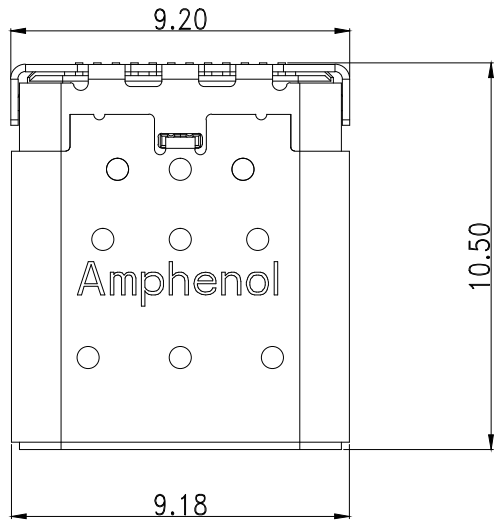


This document is the property of Amphenol Corporation and is delivered on the express condition that it is not to be disclosed, reproduced or used, in whole or in part, for manufacture or sale by anyone other than Amphenol Corporation without its prior consent, & that no right is granted to disclose or to use any information in this document.

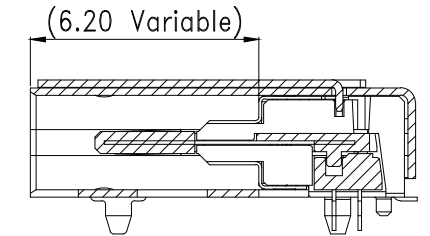
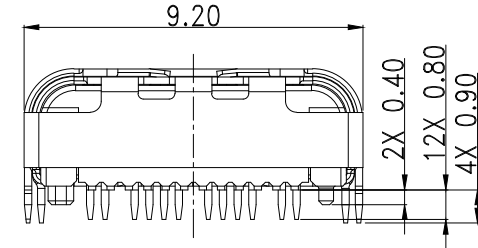
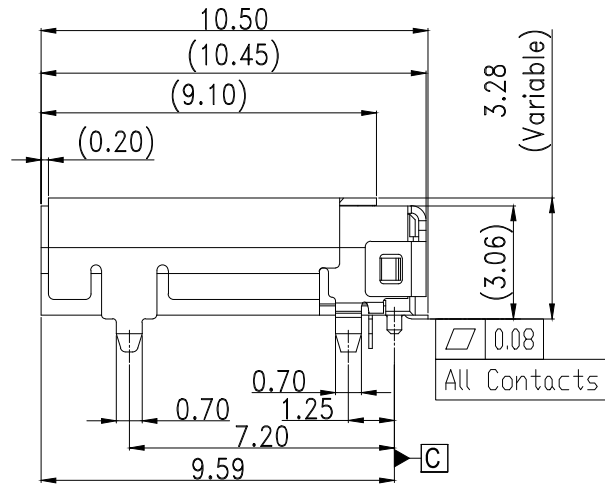
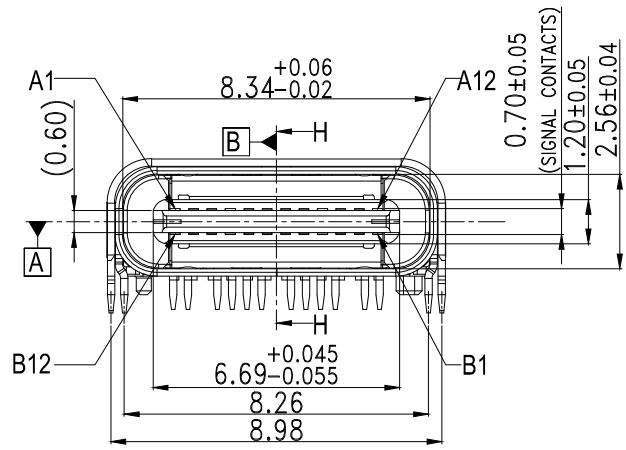
REFERENCE DRAWING



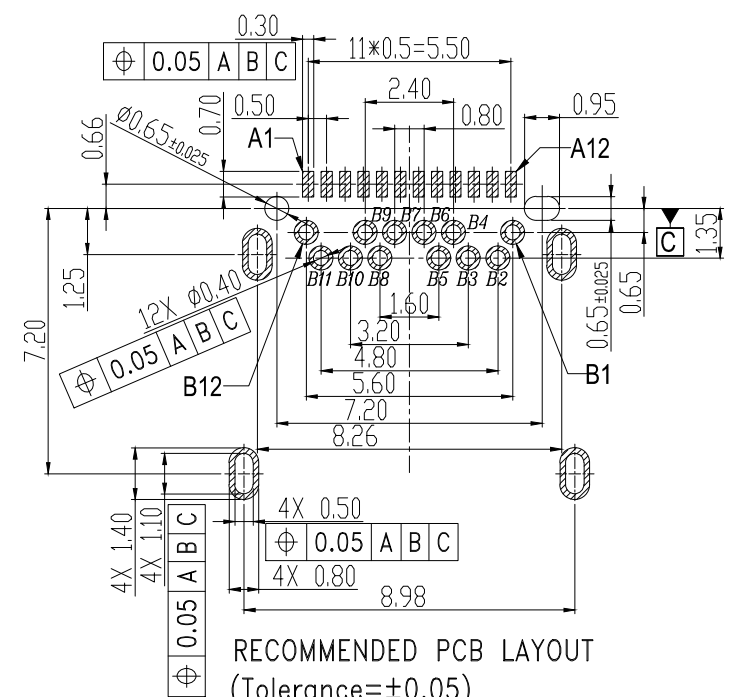
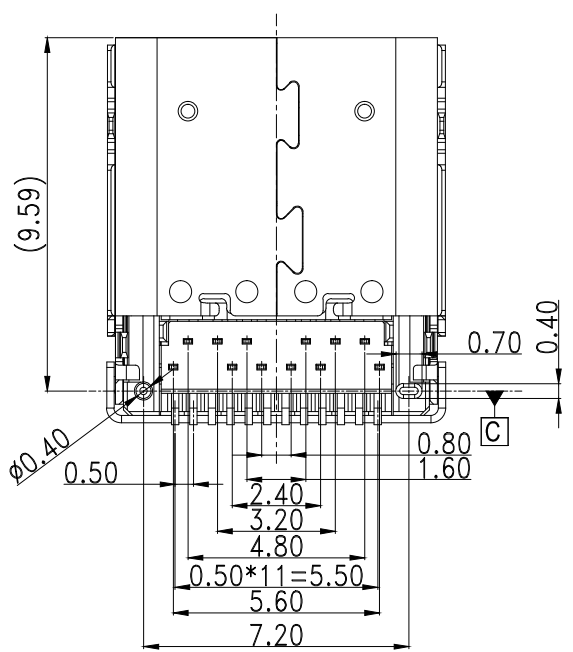
REVISIONS				
SYM	ECN	DESCRIPTION	DATE	APPROVED
X7	1504****	UPDATE THE FEATRUE	04/24/15	Tom



Pin	Signal Name	Mating Sequence	Pin	Signal Name	Mating Sequence
A1	GND	First	B12	GND	First
A2	SSTXp1	Second	B11	SSRXp1	Second
A3	SSTXn1	Second	B10	SSRXn1	Second
A4	V _{BUS}	First	B9	V _{BUS}	First
A5	CC1	Second	B8	SBU2	Second
A6	Dp1	Second	B7	Dn2	Second
A7	Dn1	Second	B6	Dp2	Second
A8	SBU1	Second	B5	CC2	Second
A9	V _{BUS}	First	B4	V _{BUS}	First
A10	SSRXn2	Second	B3	SSTXn2	Second
A11	SSRXp2	Second	B2	SSTXp2	Second
A12	GND	First	B1	GND	First
SHELL	GND		SHELL	GND	



SECTION H-H



RECOMMENDED PCB LAYOUT (Tolerance=±0.05)

Notes:

- Material :
 Contacts : copper alloy
 Shell : Stainless steel.
 Housing : High-temperature polymer UL94V-0, black.
- Plating :
 Contacts: contact area 30u" Au, Solder tail gold flash or matte tin, nickel overall.
 Shell : Nickel Plating
- Coplanarity : 0.08Max.
- P/N : 12401548E4#2A.
- Packaging type: carrier tape.
- Material should be fulfilled Amphenol spec# SSN002 AND Customer Requirements, for halogen free products, also need to meet SSN004

UNLESS OTHERWISE SPECIFIED TOLERANCES		APPROVAL	DATE
.X	+/-	DRAWN Michael.qin	04/24/15
.XX	+/-	CHECKED Weison.Lu	04/24/15
.XXX	+/-	CHECKED	
FRACTIONS	+/-	DRAWING FILE :	
ANGLES	+/-	ANGLE OF PROJECTION	
FOR MATERIALS AND FINISHES SEE NOTES			
REMOVE SHARP EDGES			
DIMENSIONS			
U.S.	INCHES-		
(METRIC)	(MM)		

Amphenol		
TITLE USB TYPE C CONNECTOR RIGHT ANGLE HYBRID		
SIZE	DRAWING NO.	REV.
A3	12401548E4#2A	X7
SCALE	NONE	SHEET 1 OF 1