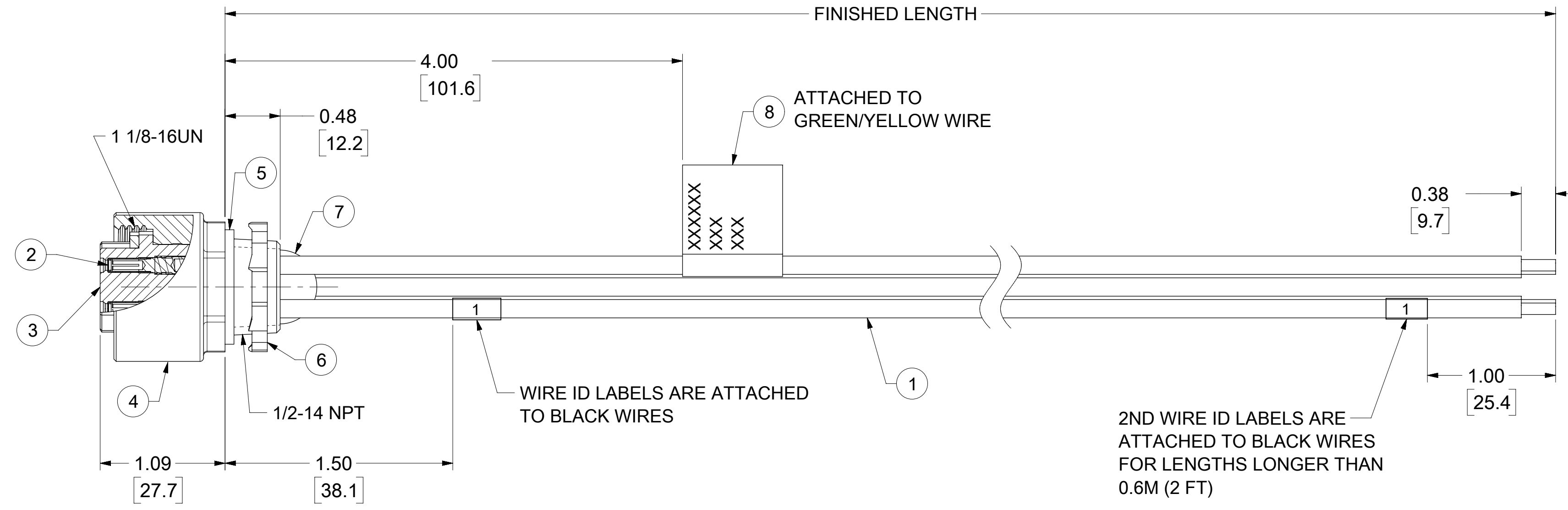
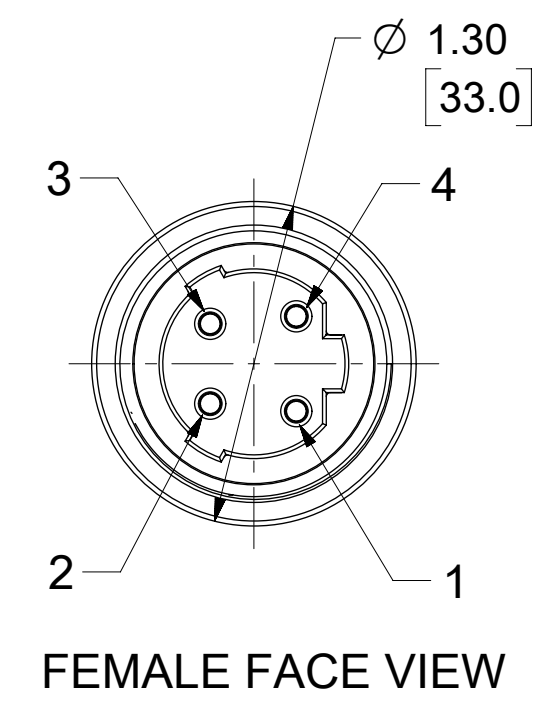
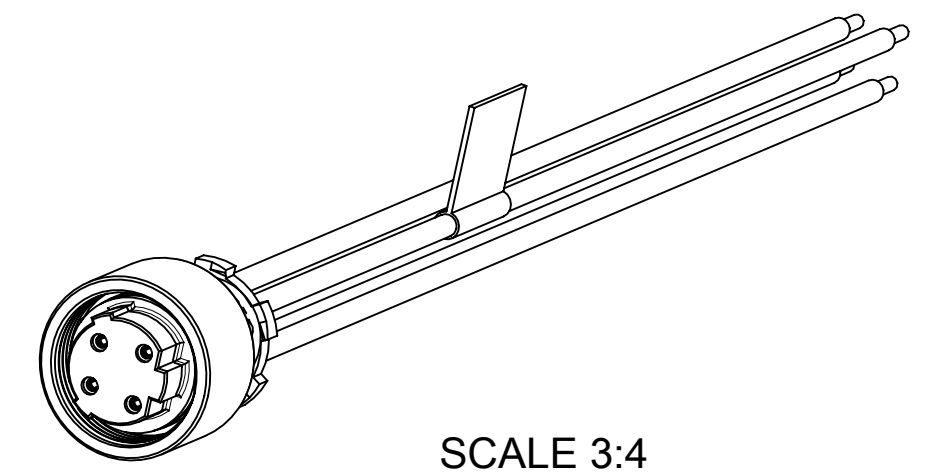


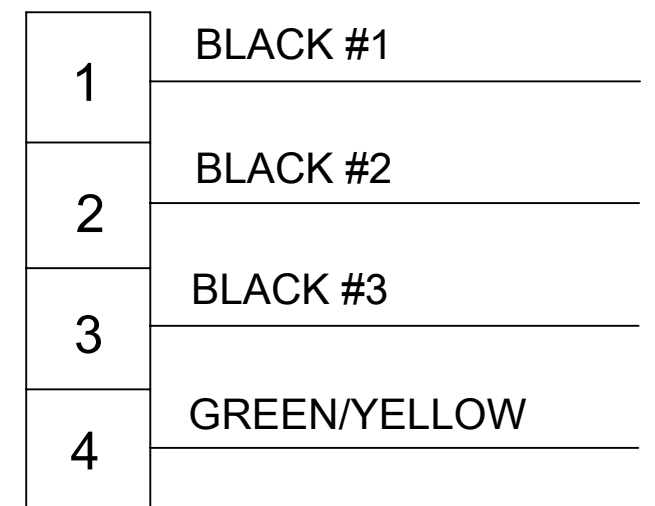
PART NO.	ENGINEERING NO.	FINISHED LENGTH
1300660320	3R4100A84M0033	0.3M (11.81 IN)
1300662019	3R4100A84M0203	2M (6 FT 6.74 IN)
1300662021	3R4100A84M0403	4M (13 FT 1.48 IN)

**CABLE LENGTH TOLERANCES**  
 <.3M [1FT]: +19mm-0 [+0.75in-0]  
 .3 - .9M [1 - 3FT]: +44.5mm-0 [+1.75in-0]  
 .9 - 1.8M [3 - 6FT]: +55.6mm-0 [+2.19in-0]  
 1.8 - 3.7M [6 - 12FT]: +88.9mm-0 [+3.50in-0]  
 3.7 - 7.3M [12 - 24FT]: +165.1mm-0 [+6.50in-0]  
 7.3-14.6M [24 - 48FT]: +317.5mm-0 [+12.50in-0]  
 14.6 - 30.5M [48-100FT]: +622.3mm-0 [+24.50in-0]  
 OVER 30M [100FT] +2% OF FINISHED LENGTH



- NOTES:**
- MATERIAL: AS NOTED
  - FINISH: AS NOTED
  - ELECTRICAL:  
 VOLTAGE: 483V PER IEC60664  
 600V PER UL2237  
 CURRENT: 25A
  - TEMP RATING: -20°C TO +105°C
  - PROTECTION: IP67 (WHEN MATED)
  - UL LISTED FILE: 258922
  - ALL DIMS ARE FOR REFERENCE UNLESS TOLERANCED OR NOTED OTHERWISE

### WIRING DIAGRAM



### PART NUMBER LEGEND

**3R4100A84M0033**

FINISHED LENGTH  
 M001 = 0.1 METER  
 M010 = 1 METER  
 M100 = 10 METER

8	FLAG LABEL	VINYL	YELLOW
7	POTTING MATERIAL	EPOXY	BLACK
6	LOCK NUT	STEEL	ZINC PLATED
5	GASKET	NITRILE	BLACK
4	RECEPTACLE SHELL	Cu ALLOY	NICKEL PLATED
3	FEMALE INSERT	TPE	BLACK
2	SOCKET CONTACT	Cu ALLOY	GOLD OVER NICKEL
1	#12-4 AWG, WIRE, 1015/TEW	PVC	SEE WIRING DIAGRAM
ITEM	DESCRIPTION	MATERIAL	FINISH

FUNCTIONAL SYMBOLS	THIS DRAWING CONTAINS INFORMATION THAT IS PROPRIETARY TO MOLEX ELECTRONIC TECHNOLOGIES, LLC AND SHOULD NOT BE USED WITHOUT WRITTEN PERMISSION														
	DIMENSION UNITS		SCALE		CURRENT REV DESC: UPDATED IEC VOLT, TEMP RATING, MATERIAL TABLE, BOM TABLE & TOL. TABLE										
	INCH/MM		1.3:1		EC NO: 718076 DRWN: VHANDI 2020/09/30 CHK'D: RSTONE 2022/08/18 APPR: BWOODMAN 2022/08/22										
	GENERAL TOLERANCES (UNLESS SPECIFIED)														
DIVISIONAL SYMBOLS	4 PLACES		±		INITIAL REVISION: DRWN: TWOLDEGEBRIE 2016/07/11 APPR: BWOODMAN 2016/11/14										
	3 PLACES		±												
	2 PLACES		±												
	1 PLACE		±												
0 PLACES		±		DOCUMENT NUMBER: <b>1300660320</b> DOC TYPE: PSD DOC PART: 000 REVISION: B2											
ANGULAR TOL		± °		THIRD ANGLE PROJECTION		DRAWING		SERIES		MATERIAL NUMBER		CUSTOMER		SHEET NUMBER	
DRAFT WHERE APPLICABLE MUST REMAIN WITHIN DIMENSIONS				C-SIZE		130066		SEE TABLE		GENERAL MARKET		1 OF 1			