

6

5

4

3

2

1

E

E

D

D

C

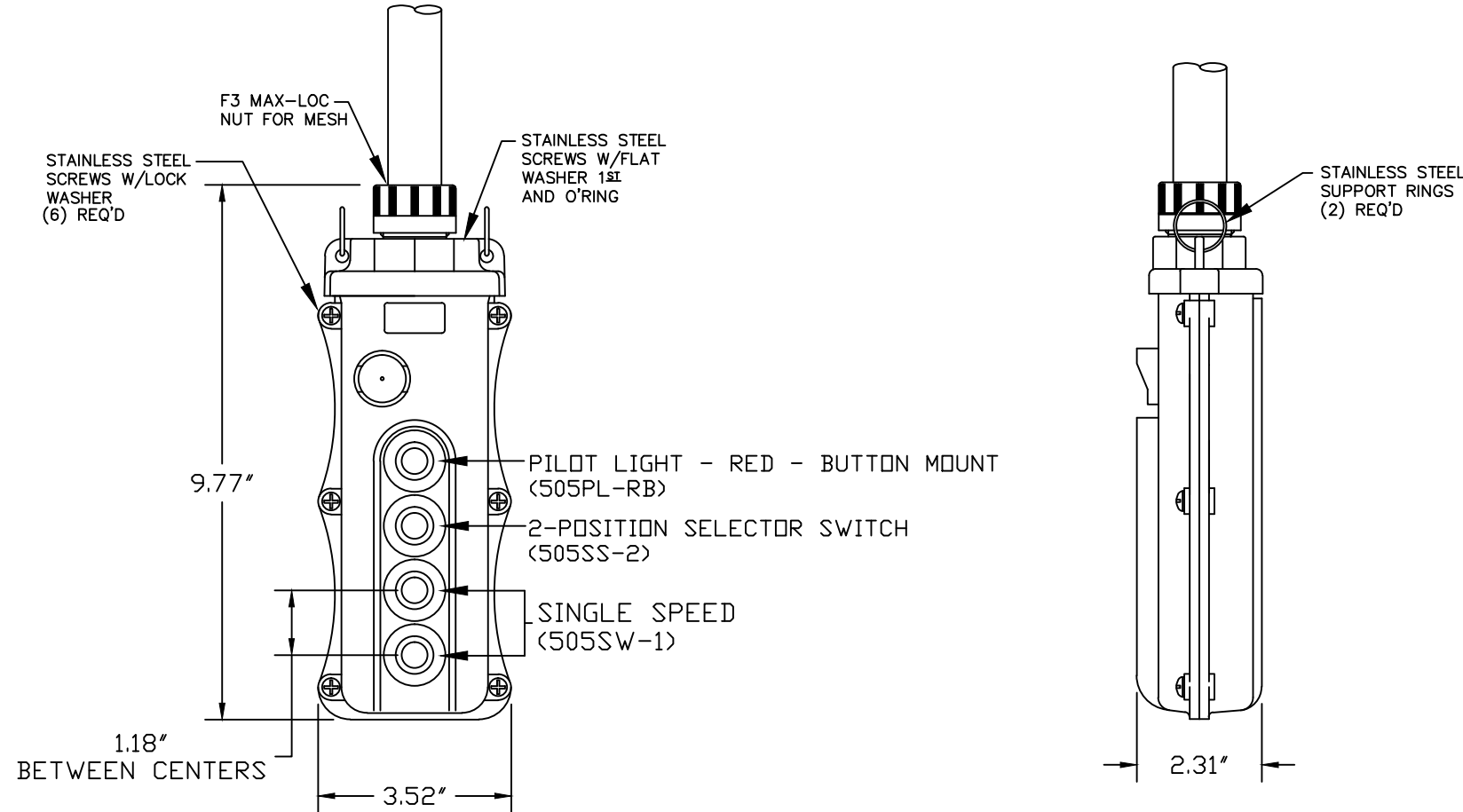
C

B

B

A

A



- NOTES:
1. INSTALLATION INSTRUCTIONS, BUTTON ID. LABELS ARE PACKED WITH THE PART.
 2. ALL BUTTONS ARE HIGH AMBIENT, CHEMICALLY RESISTANT MATERIAL - COLOR BLACK

EC NO: ICG2017-0825 DRWN: BPATTERS 2017/03/01 CHKD: KAHMED APPR: HKNEELAN 2017/04/20	QUALITY SYMBOLS $\nabla=0$ $\sphericalangle=0$	GENERAL TOLERANCES (UNLESS SPECIFIED)		DIMENSION STYLE	SCALE	DESIGN UNITS	THIRD ANGLE PROJECTION	
			mm	INCH	INCH	NTS	INCH	
		4 PLACES	±---	±---	BPATTERS	2017/03/01	TITLE	
		3 PLACES	±---	±0.005	CHECKED BY	DATE	4 POS PENDANT W/ 505PL-RB	
2 PLACES	±0.05	±0.010	KAHMED	---	505SS-2 AND 505SW-1			
1 PLACE	±0.10	±0.020	APPROVED BY	DATE	MOLEX INCORPORATED			
ANGULAR ±.5°		DRAFT WHERE APPLICABLE MUST REMAIN WITHIN DIMENSIONS		HKNEELAN	2017/04/20	DOCUMENT NO.	SHEET NO.	
				MATERIAL NO.	1301260357	SD-130126-0357	1 OF 1	
A		SIZE A		THIS DRAWING CONTAINS INFORMATION THAT IS PROPRIETARY TO MOLEX INCORPORATED AND SHOULD NOT BE USED WITHOUT WRITTEN PERMISSION				

6

5

4

3

2

1