

4

3

2

1

THIS DRAWING IS UNPUBLISHED.

RELEASED FOR PUBLICATION

---

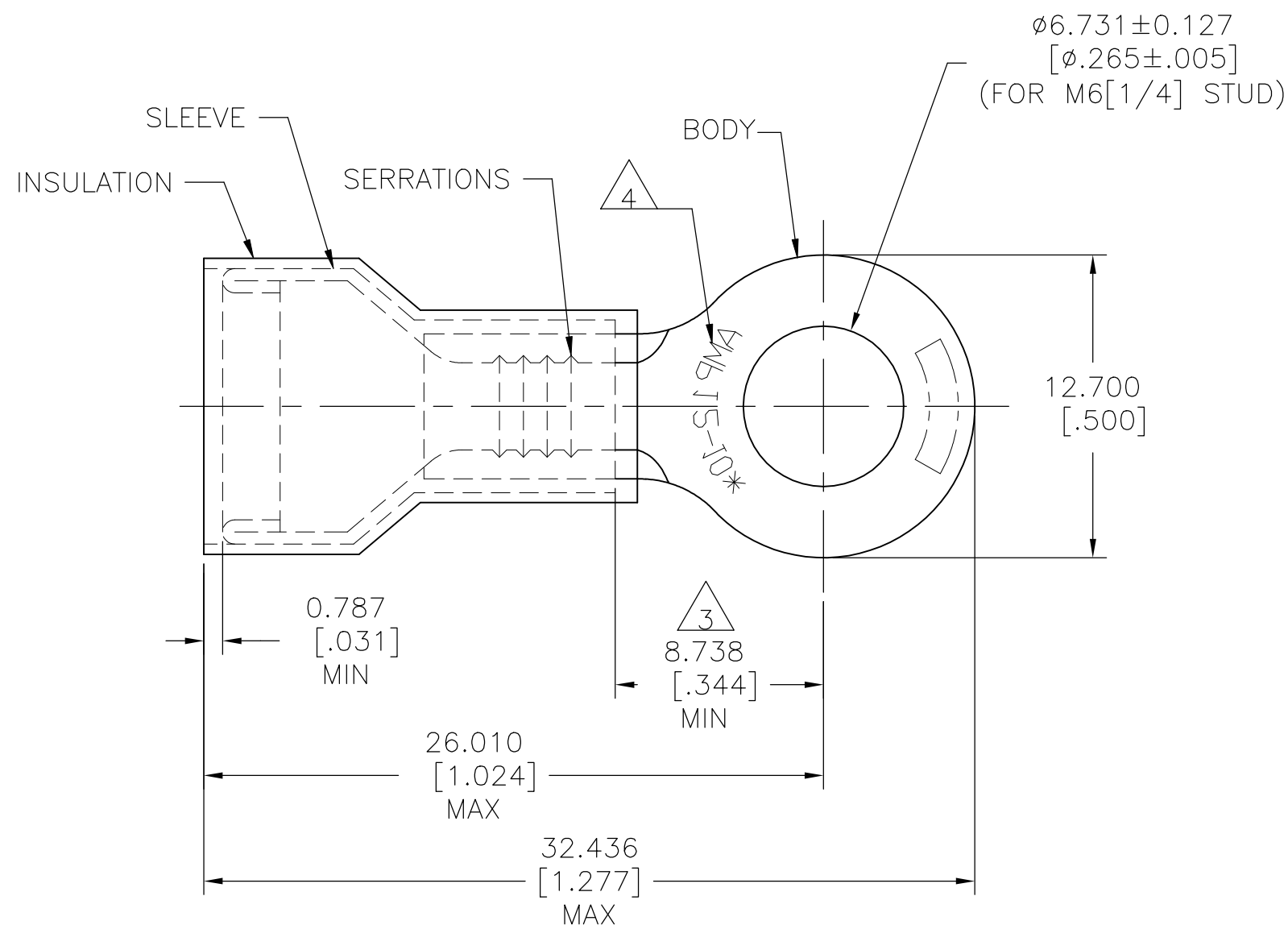
REVISIONS

© COPYRIGHT - TE Connectivity Ltd.

ALL RIGHTS RESERVED.

P	LTR	DESCRIPTION	DATE	DWN	APVD
	G1	REVISED PER ECO ECO-17-008114	14JUN2018	RS	DR

<b>AMP</b> WIRE RANGE	E13288 Listed	LR7189 Certified
12-10 AWG SOLID OR STRANDED	12-10 AWG SOLID OR STRANDED	12-10 AWG SOLID OR STRANDED



- 1 FOR 4.318 TO 7.620[.170 TO .300]  
WIRE INSULATION DIA
- 2 TONGUE MATERIAL THICKNESS: 1.016±0.051[.040±.002]
- 3 APPLIES FROM EDGE OF METAL WIRE BARREL  
TO CENTER OF STUD HOLE
- 4 STAMP AMP 12-10\* APPROX AS SHOWN
- 5 MATERIAL:  
BODY & SLEEVE: COPPER PER ASTM B152  
INSULATION: PVC
- 6 FINISH:  
BODY & SLEEVE: TIN PL PER ASTM B545  
INSULATION: COLOR - YELLOW

500	LOOSE PIECE	323763
QTY	PACKAGE TYPE	PART NO

AMP INCORPORATED  
CUSTOMER SERVICE SYSTEMS

THIS DRAWING IS A CONTROLLED DOCUMENT.

DWN RAVI S 14JUN2018

CHK ROHDE DANIEL F 14JUN2018

APVD ROHDE DANIEL F 14JUN2018

**STE** TE Connectivity Ltd.

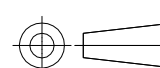
FOR ADDITIONAL  
PRODUCT INFORMATION OR  
COPIES OF DRAWINGS  
AND TECHNICAL DOCUMENTS

PRODUCT INFORMATION CENTER  
1-800-522-6752

MAX RECOMMENDED OPERATING  
TEMPERATURE:  
105°C [221°F]

VOLTAGE RATING:  
300 V MAX

DIMENSIONS:  
mm [INCHES]



TOLERANCES UNLESS  
OTHERWISE SPECIFIED:

- 0 PLC ± -
- 1 PLC ± -
- 2 PLC ± -
- 3 PLC ± 0.127[.005]
- 4 PLC ± -
- ANGLES ± -
- FINISH 6

PRODUCT SPEC  
UL 486 A-B

APPLICATION SPEC  
114-2157

WEIGHT

NAME  
TERMINAL  
P.I.D.G. - RING TONGUE  
WIRE SIZE: 12-10

SIZE	CAGE CODE	DRAWING NO	RESTRICTED TO
A3	00779	C-323763	-

FOR APPLICATION  
TOOLING INFORMATION

TOOLING ASSISTANCE CENTER  
1-800-722-1111

FOR ORDER ENTRY

1-800-526-5142

WIRE CROSS SECTIONAL AREA RANGE,  
2.62-6.64mm<sup>2</sup>[5,180-13,100]  
SOLID OR STRANDED

MATERIAL 5

FINISH 6

CUSTOMER DRAWING

SCALE N.T.S. SHEET 1 OF 1 REV G1