

Type 2 surge protection plug - VAL-MS 600DC-PV-ST - 2800623

Please be informed that the data shown in this PDF Document is generated from our Online Catalog. Please find the complete data in the user's documentation. Our General Terms of Use for Downloads are valid (<http://phoenixcontact.com/download>)



Replacement plug for PV arrester combinations from the VAL-MS 600DC-PV-... product range



Key Commercial Data

Packing unit	1 pc
GTIN	
GTIN	4046356615105

Technical data

Dimensions

Height	52.4 mm
Width	17.5 mm
Depth	55.3 mm
Horizontal pitch	1 Div.

Ambient conditions

Degree of protection	IP20
Ambient temperature (operation)	-40 °C ... 80 °C
Ambient temperature (storage/transport)	-40 °C ... 80 °C
Altitude	≤ 2000 m (amsl (above mean sea level))
Permissible humidity (operation)	5 % ... 95 %
Shock (operation)	60g (Half-sine / 11 ms / 3x ±X, ±Y, ±Z)
Vibration (operation)	7.5g (5-500 Hz/2.5 h/XYZ)

General

IEC test classification	PV II
	PV T2
EN type	T2
SPD failure behavior	OCM (Open-circuit mode)

Type 2 surge protection plug - VAL-MS 600DC-PV-ST - 2800623

Technical data

General

Connection configuration	Y configuration
Installation location	Interior
Accessibility	Accessible
Installation location of the disconnect device	Internal
Mounting type	on base element
Color	jet black RAL 9005
Housing material	PA 6.6-FR
Degree of pollution	2
Flammability rating according to UL 94	V-0
Type	Male
Number of positions	1
Surge protection fault message	optical

Protective circuit DC voltage side (DC)

Maximum continuous operating voltage U_{CPV}	400 V DC
Short-circuit current rating I_{SCPV}	2000 A
Continuous operating current I_{CPV}	20 μ A
Standby power consumption P_C	≤ 25 mVA
Nominal discharge current (8/20) μ s	15 kA
Maximum discharge current I_{max} (8/20) μ s	40 kA
Voltage protection level U_p	≤ 1.4 kV
Residual voltage U_{res}	≤ 1.4 kV (at I_n)
	≤ 1.1 kV (at 5 kA)
	≤ 1.3 kV (at 10 kA)
	≤ 1.5 kV (at 20 kA)
	≤ 1.8 kV (at 30 kA)
	≤ 2 kV (at 40 kA)
Response time t_A	≤ 25 ns
Insulation resistance R_{iso}	> 5 G Ω (at 500 V DC)

Connection data

Connection method	pluggable
-------------------	-----------

UL specifications

SPD Type	1CA
Maximum continuous operating voltage MCOV	800 V DC
Nominal voltage	800 V DC
Mode of protection	(L+) - (L-)
	(L+) - G
	(L-) - G
Power distribution system	DC PV
Voltage protection rating VPR	2 kV

Type 2 surge protection plug - VAL-MS 600DC-PV-ST - 2800623

Technical data

UL specifications

Nominal discharge current I_n	20 kA
Short-circuit current rating (SCCR)	50 kA

Standards and Regulations

Standards/regulations	EN 50539-11 2013
-----------------------	------------------

Environmental Product Compliance

China RoHS	Environmentally Friendly Use Period = 50
	For details about hazardous substances go to tab "Downloads", Category "Manufacturer's declaration"

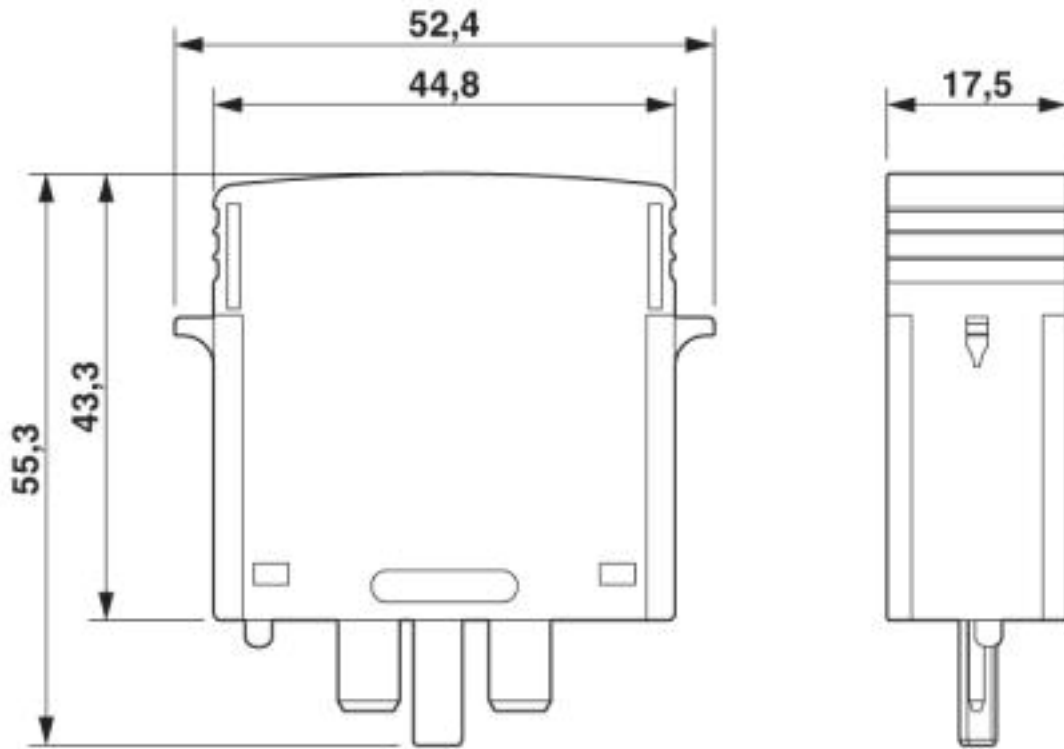
Drawings

Circuit diagram



Type 2 surge protection plug - VAL-MS 600DC-PV-ST - 2800623

Dimensional drawing



Approvals

Approvals

Approvals

UL Recognized / KEMA-KEUR / cUL Recognized / EAC / cULus Recognized

Ex Approvals

Approval details

UL Recognized



<http://database.ul.com/cgi-bin/XYV/template/LISEXT/1FRAME/index.htm>

FILE E 330181

KEMA-KEUR




<http://www.dekra-certification.com>

71-102960

Type 2 surge protection plug - VAL-MS 600DC-PV-ST - 2800623

Approvals

cUL Recognized		http://database.ul.com/cgi-bin/XYV/template/LISEXT/1FRAME/index.htm	FILE E 330181
----------------	---	---	---------------

EAC		RU C- DE.A*30.B01561
-----	---	-------------------------

cULus Recognized	
------------------	---

Phoenix Contact 2019 © - all rights reserved
<http://www.phoenixcontact.com>

PHOENIX CONTACT GmbH & Co. KG
Flachsmarktstr. 8
32825 Blomberg
Germany
Tel. +49 5235 300
Fax +49 5235 3 41200
<http://www.phoenixcontact.com>