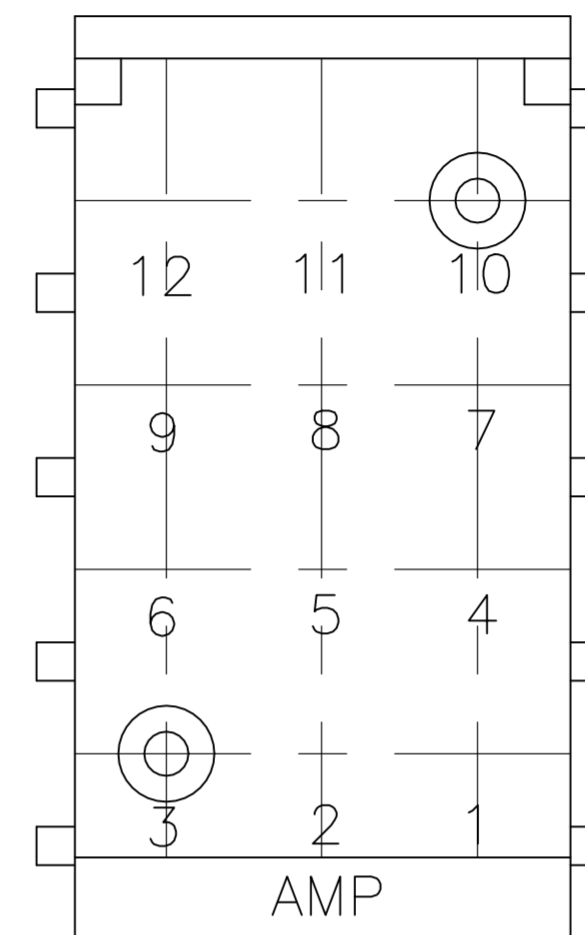
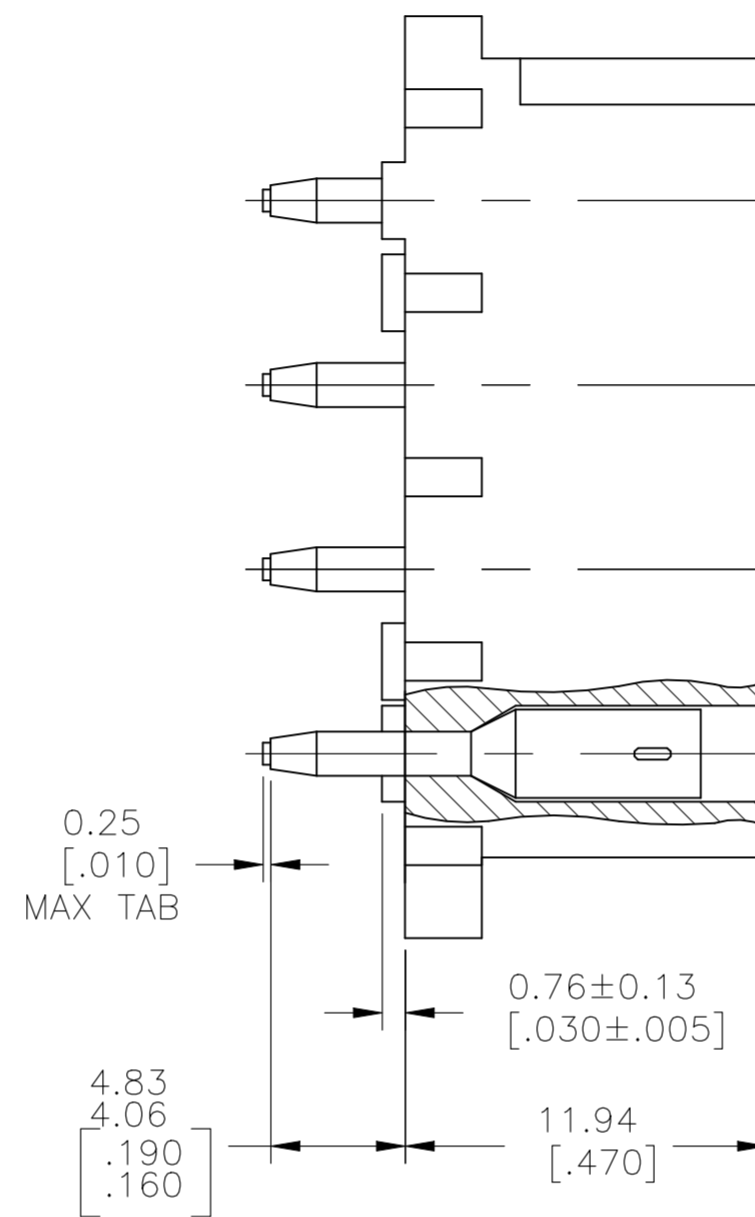
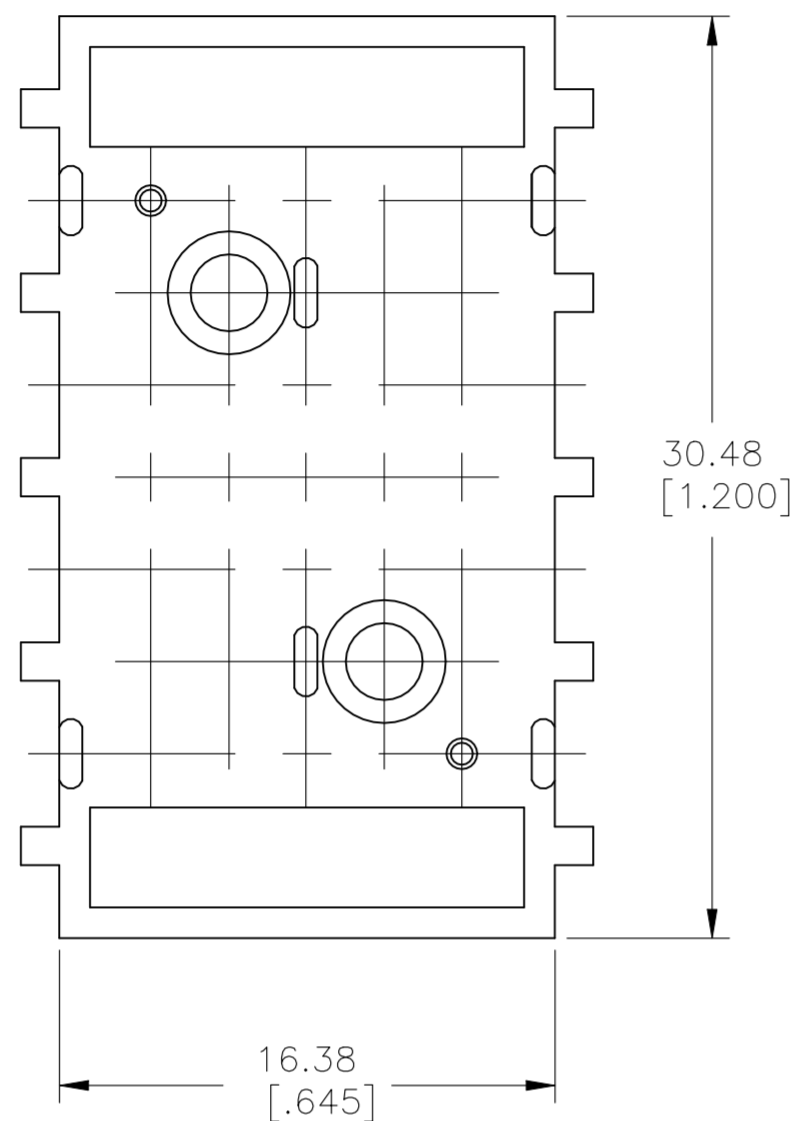
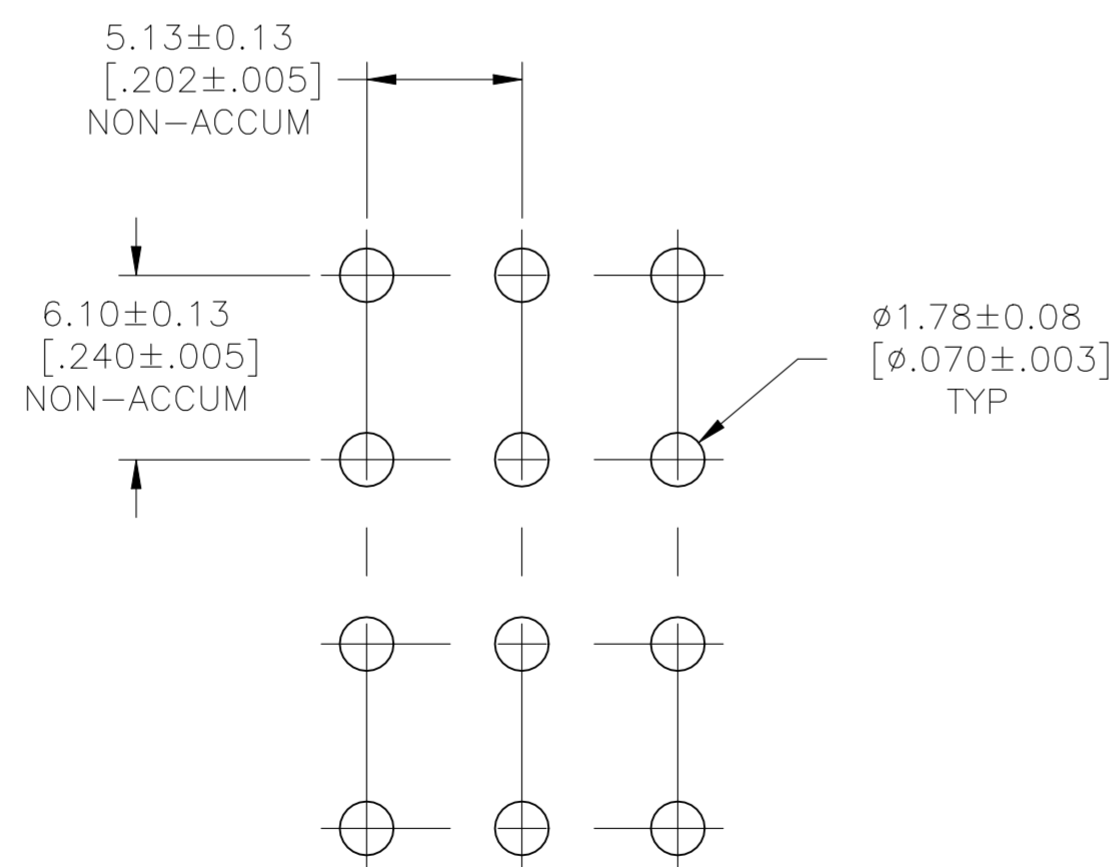


THIS DRAWING IS UNPUBLISHED. RELEASED FOR PUBLICATION
 © COPYRIGHT BY TYCO ELECTRONICS CORPORATION. ALL INTERNATIONAL RIGHTS RESERVED.

LOC		DIST		REVISIONS			
P	LTR	DESCRIPTION		DATE	DWN	APVD	
CM	53	H1	REVISED PER ECR-21-117185		22OCT2021	PJ	VS



- MATES WITH HOUSING 480278
- PARTS COMPLY WITH AMP SOLDERABILITY SPEC #109-11-3
- DIMENSION SHOWN REPRESENT PRODUCT IN DRY CONDITION. ADDITIONAL 2% GROWTH DUE TO END USE LOCATION MOISTURE ABSORPTION MAY OCCUR AND SHOULD BE ACCOUNTED FOR.



RECOMMENDED LAYOUT FOR
1.57 [0.062] THICK P.C. BOARD

PHOS BRZ-PRE TIN	NYLON-BLACK	9-350643-1
PHOS BRZ-PRE TIN	NYLON-NATURAL	350643-1
PIN MATL & FINISH	HSG MATL & COLOR	ASSEMBLY NO

THIS DRAWING IS A CONTROLLED DOCUMENT.		DWN 10AUG2009 RAGHAVENDRA	Tyco Electronics Corporation Harrisburg, PA 17105-3608	
DIMENSIONS: mm [INCHES]		CHK 10AUG2009 SARVER MICHAEL	NAME 12 CIRCUIT MATE-N-LOK P.C BOARD SOCKET HEADER	
TOLERANCES UNLESS OTHERWISE SPECIFIED: 0 PLC ± - 1 PLC ± - 2 PLC ± - 3 PLC ± 0.38 [0.15] 4 PLC ± - ANGLES ± 1° 0'		APVD 10AUG2009 SARVER MICHAEL	PRODUCT SPEC	APPLICATION SPEC
MATERIAL SEE TABLE	FINISH SEE TABLE	WEIGHT -	SIZE A2	CAGE CODE 00779
CUSTOMER DRAWING		SCALE 4:1	DRAWING NO C=350643	RESTRICTED TO -
		SHEET 1 OF 1	REV H1	