

**MATERIAL AND FINISH:**  
 Insulator: Polycarbonate, UL-94V-0 rated  
 Contacts: Brass, Nickel plated

**ELECTRICAL SPECIFICATIONS:**

Current rating: 10 A  
 Voltage rating: 250 VAC  
 Current rating: 15 A  
 Voltage rating: 250 VAC



ORDERING CODE:  
 42R02-4 \_ \_ \_ E  
 1 2 3

**1 = TERMINAL OPTIONS**

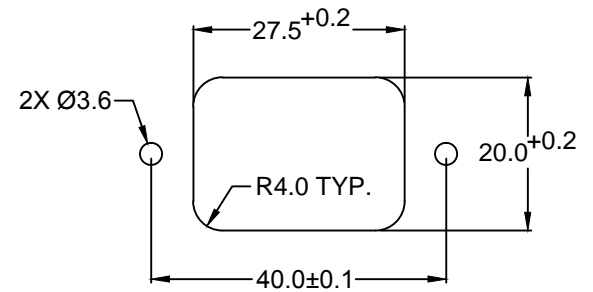
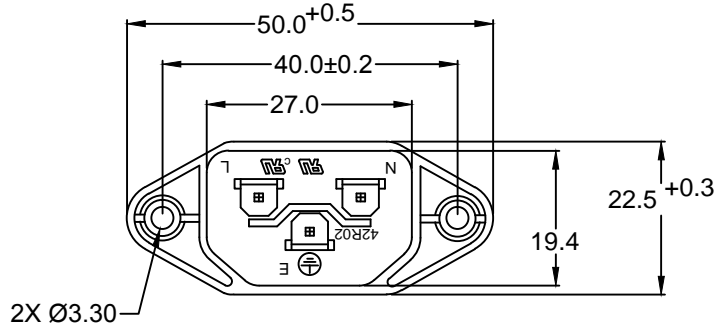
- 1 = .187(4.8)
- 2 = .250(6.3)

**2 = COLOR**

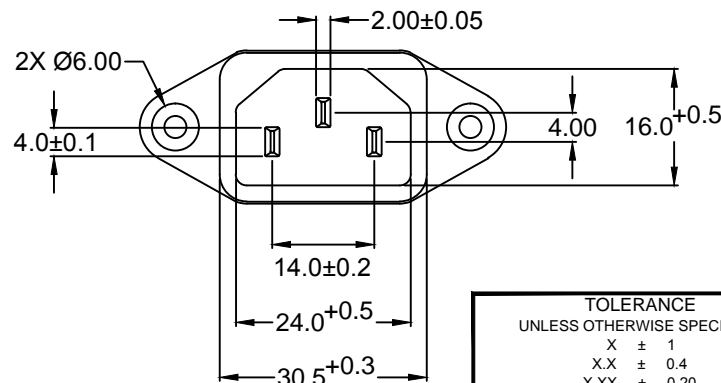
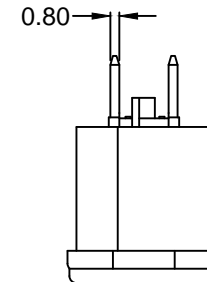
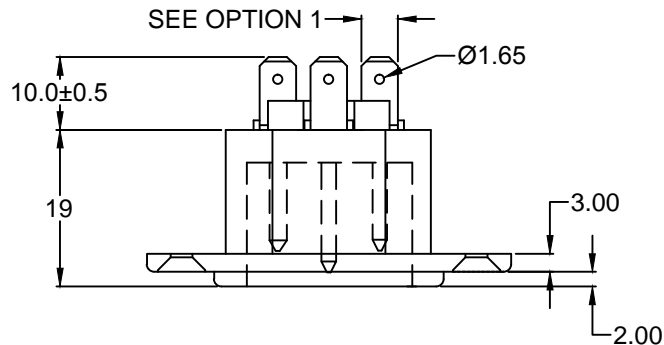
- 1 = BLACK
- 2 = GRAY

**3 = ELECTRICAL CIRCUIT CONFIGURATION**

- 1 = 15A 250V 120°C  
2+GROUND (C16)
- 2 = 15A 250V 70°C  
2+GROUND (C14)
- 4 = 15A 250V 70°C  
2 POLE (C18)
- 5 = 15A 250V 155°C  
2+GROUND (C16A)



RECOMMENDED  
 PANEL CUT-OUT



RoHS  
 COMPLIANT

TOLERANCE UNLESS OTHERWISE SPECIFIED	
X	± 1
X.X	± 0.4
X.XX	± 0.20
DRAWN BY	GQ
DATE:	8/6/01
CHECK BY	TD
DATE:	8/13/01
APPR BY	PB
DATE:	8/13/01

<b>Power Dynamics, Inc.</b>	
Phone: 973 560-0019 Whippany, New Jersey Fax: 973 560-0076	
PART: IEC 60320 APPL. INLET; QUICK CONNECT TERMINALS; SIDE FLANGE, PANEL MOUNT	
42R02-4XXXE	
PART #:	SHEET 1 of 1
SIZE: A	ALL DIMENSIONS FOR REFERENCE ONLY DIMENSIONS ARE IN MILLIMETERS
SCALE: NTS	
REV: C	

REVISIONS		CHNG	CHK	APPR
REV	DATE	CHANGE		
A	1/21/05	ADD RoHS	PB	
B	2/3/11	cRU was CSA	PB	
C	7/27/15	ADD C16A	PB	